

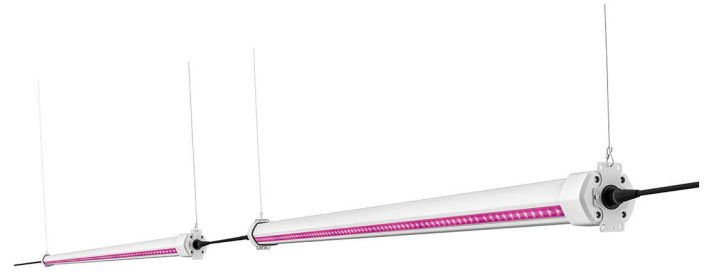
# LED luminaire grow AGRO - B



## GROW LIGHT

### TECHNICAL PARAMETERS

LED:	Shineon
Efficiency bright sis.:	1.8 $\mu$ Mol/J
DRIVER:	Osram
Electrical power supply:	100-277VAC 50-60Hz
Power factor:	>0.92
Degree of protection:	IP65
Protection level optical closure:	IK07
Available optics:	(a) 220°
Spectrum:	P02



### The best LED solution for horticulture.

AGRO-B can illuminate two rows of plants at once, its heat management helps not to damage the green leaves. It is suitable for cucumbers, tomatoes, peppers, etc. Its P02 spectrum provides greater intensity at 450 nm, guaranteeing results and faster vegetative growth. The increase in blue light promotes concentrations of chlorophyll, flavonoids and antioxidant capacity in lettuce.

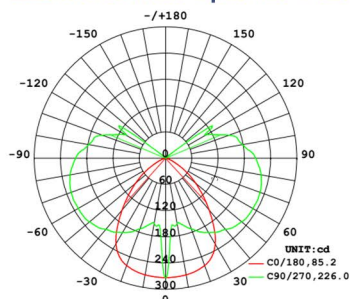
Blue light promotes primary and secondary metabolites in microgreens and in green leafy vegetables. Red light promotes flowering of plants and the production of fruits. It is also suitable for the early life of the plant for germination, root growth and bulb development.



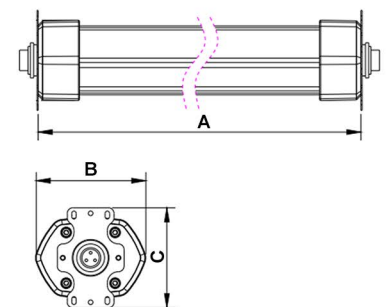
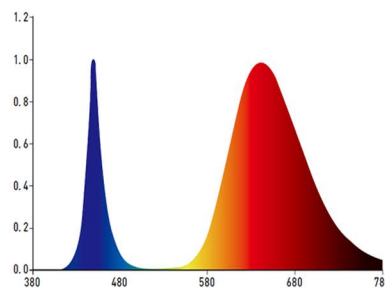
Reference	Power (W)	Spectrum composition	Nº Led PCB	Luminous flux	Temperature work	Dimensions AxBxC (mm)	Weight Kg.
AGB-075N-02A	75W	(P02) Shineon LED	144	135 $\mu$ Mol/s	0 a 40°C	1238x98.5x90	2.5 $\pm$ 0.3
AGB-100N-02A	100W	(P02) Shineon LED	200	180 $\mu$ Mol/s	0 a 40°C	2426x98.5x90	4.5 $\pm$ 0.3
AGB-150N-02A	150W	(P02) Shineon LED	288	270 $\mu$ Mol/s	0 a 40°C	2426x98.5x90	4.8 $\pm$ 0.3

### Photometry and dimensions

LED bifocal linear Optic 120 + 120°



P02



### HOW TO REQUEST A REFERENCE

Example: LED luminaire grow AGRO-B 100W 120°

Reference: AGB - 100 N-02A

- Optic (a): 220°
- Spectrum: (02): Complete cycle (P02)
- Serie (N): Not dimmable
- Power: 100W
- Model: LED luminaire grow AGRO-B



Complete cycle



DOWNLOAD OR SEND THE DATASHEET



C/Garbi, 15 Pol. Industrial, 46724 Palma de Gandia (Valencia)  
Tel.: +34 96 111 64 97 E-mail.: info@venalsol.com

Request for orders and offers: Order@venalsol.com

www.venalsol.com