

Wrap labeling

Looking to seal  
your products  
securely?



## Wrap labeling

# Whether labeling three or four sides, the 752C is a genuine all-rounder

To produce a secure seal, this labeling machine is designed to apply a single label on the front, top and bottom, as well as optionally on the back of a packaging in one pass.

As many as 60 products a minute can be labeled in this way. The 752C operates efficiently with changing formats as well. In just a few simple steps and without any tools, it can be adjusted to different product sizes within minutes.

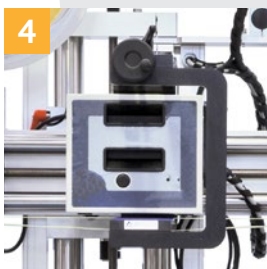
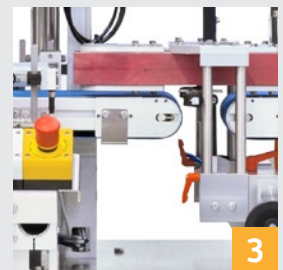
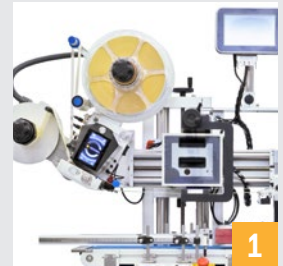


## Best results

With a machine base constructed of stainless steel, the compact, sturdy and food-grade 752C can operate in practically any production environment.

The distance between the side guides and transfer belts and the position of the applicator, can be adjusted quickly and easily.

The split conveyor belt allows three or four sided labeling ensuring that products are sealed securely.



## Useful options

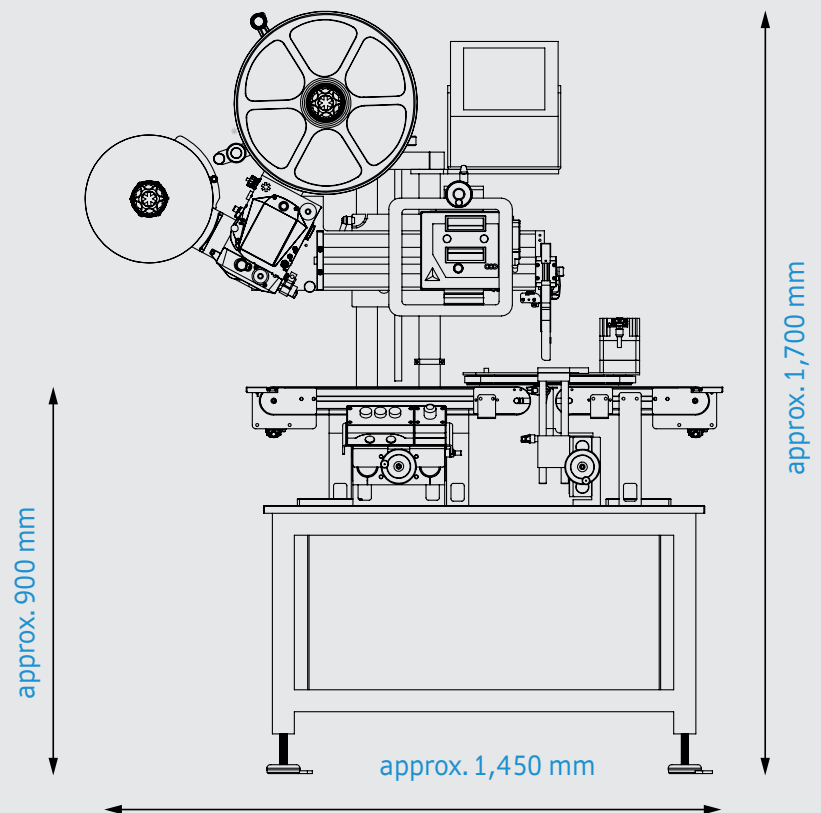
A thermal transfer printer can easily be integrated for printing variable data such as batch number and expiry date.

The conveyor belt is available in different standard lengths to suit specific requirements.

For label rolls with larger diameters, typically for extra long labels, the unwinder for roll diameters up to 400 mm can be selected as an alternative to 300 mm.

### Technical data

Labeling type:	Wrap labeling
Product specifications:	Rectangular, dimensionally stable
Product dimensions:	100 - 300 x 100 - 250 x 50 - 200 mm (L x W x H)
Label dimensions:	40 - 160 x 100 - 400 mm (W x L)
Capacity:	Up to 60 products/minute
Power supply:	230 V, 50 Hz, 1 phase
Compressed air supply:	6 bar
Printer:	Various hot-foil and thermal transfer printers (optional)
Components:	Conveyor belts, side guides for products, tamp pad, applicator, transfer belts, control panel
Options:	Transfer plates at infeed and outfeed, moveable version
Note:	If optional features are chosen, the above data may vary



752C video

HERMA GmbH  
 Labeling Machines Division  
 Heinrich-Hermann-Straße 14  
 70794 Filderstadt  
 Tel. +49 711 7702-6012  
[www.herma.com/machines](http://www.herma.com/machines)  
[machines@herma.com](mailto:machines@herma.com)