

MIXERS

MIX-SL

FIXED OR FLOATING DIRECTIONAL MIXER



FOR GENERAL MIXING
AND FLOW GENERATION

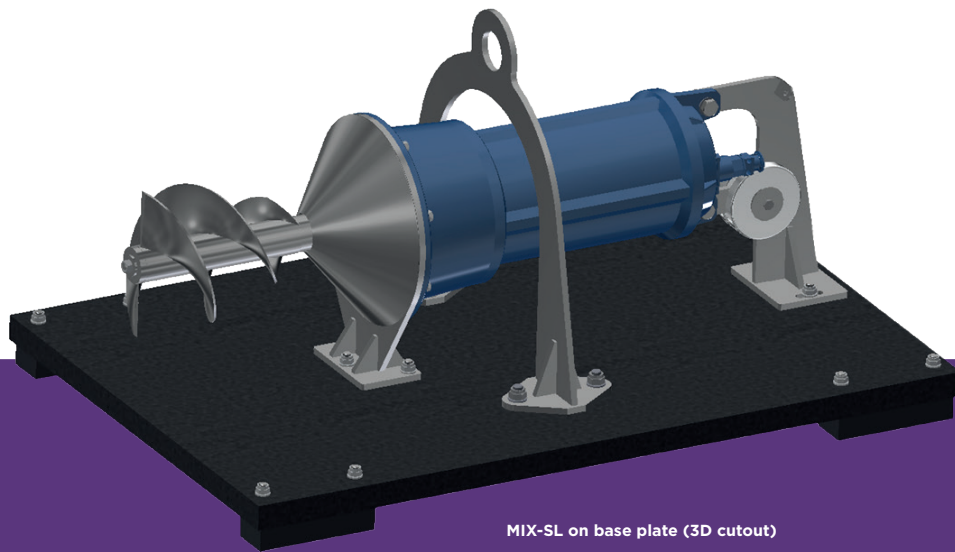
ADAPTABLE TO MANY TANK
CONFIGURATIONS

PROVIDING INTENSIVE, DIRECTIONAL
SUB-SURFACE MIXING PATTERN



MAIN CHARACTERISTICS

Multi-purpose, multi-directional, submerged mixer ideal for general mixing and flow generation; adaptable to many tank configurations. Open, dual helical impeller providing intensive; directional sub-surface mixing pattern with minimal surface disturbance and low power to volume performance



MIX-SL on base plate (3D cutout)



MIX-SL uitsnede zonder galg

ADVANTAGES

SUBMERSIBLE MOTOR - IP 68 PROTECTION

HIGH QUALITY, LOW MAINTENANCE MOTOR

ROBUST + COMPACT DESIGN - MINIMAL VIBRATION

EASY INSTALLATION + REMOVAL

DIRECTIONAL MIXING + FLOW GENERATION PLUS GENERAL MIXING OF LAGOONS

BASINS + TANKS ACTIVATED-SLUDGE PROCESSES VEY LARGE SURFACE AREA RESERVOIRS

DENITRIFICATION + SBR + ASP

COMPONENTS

- 1.5 - 22KW Drive Motors
- 4 + 6-Pole Speeds, Direct Drive
- AISI 304/316 or other SS

OPTIONS

- Rail, floor, float mounted options
- Variable operating angle 0 - 180°
- One x Submerged Drive
- Fixed or variable Water Levels



MIX-SL floating cutout

A STEP AHEAD IN WATER TECHNOLOGY

sfa-enviro.com

 [@sfa_enviro](https://twitter.com/sfa_enviro)

