

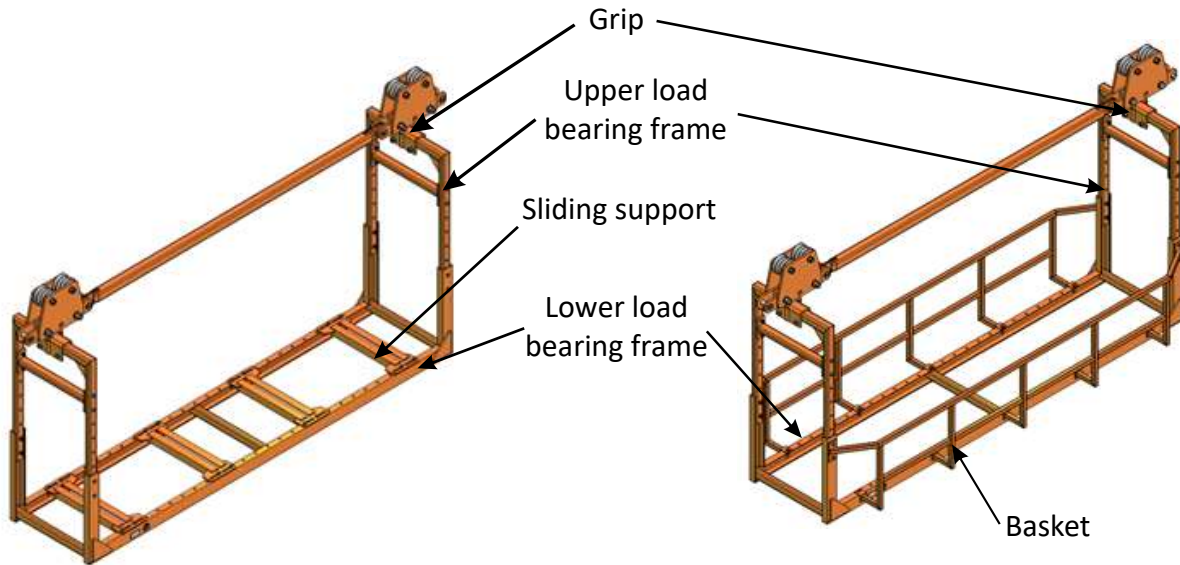
Name: Pallet

Type: 1-489, 1-489.1

Technical data:

Pallet load bearing capacity2000 kg max.
Pallet length3 m
Pallet width0.65-1.1 m
Pallet height1.0-1.42m
Pallet weight315 - 365 kg
Weight trash 42kg

Visual overview:



Intended use:

Type 1-489 and type 1-489.1 pallet has been designed for transportation of various electrical devices as well as other machinery and equipment by means of tracks of suspended monorails operating in underground mining facilities, in both non-methane and methane fields. The pallet is to be assembled in transportation sets of equipment transportation units driven by type 20-101 self-braking shifting devices. It may also be coupled directly or in a transportation set with a diesel locomotive, a handling trolley and another driving unit admitted to operation in underground mining facilities.

Additional information:

This product is provided with:

- » permit no. GM-92/15 issued by the President of the State Mining Authority (WUG) for operation in methane and non-methane fields of mining facilities,
- » declaration of the device option conformity with technical requirements.