



MIG - MAG

Torches and spare parts

Catalogue

CERTIFICATE

Management system as per

DIN EN ISO 9001:2015

Evidence of conformity with the above standard(s) has been furnished
and is certified in accordance with TÜV PROFICERT procedures for



Holch Schweißbrenner GmbH
Bühlstraße 14
D-57080 Siegen

scope:

Development and production of
inert gas-welding torches and spare parts



Certificate registration No. **73 100 1110-29**

Certificate valid from 2018-04-16 to **2021-04-15**

Audit report No. 4333 1759



o. Mahr
Darmstadt, 2015-03-28
Certification body of TÜV Hessen
– Head of Certification body –

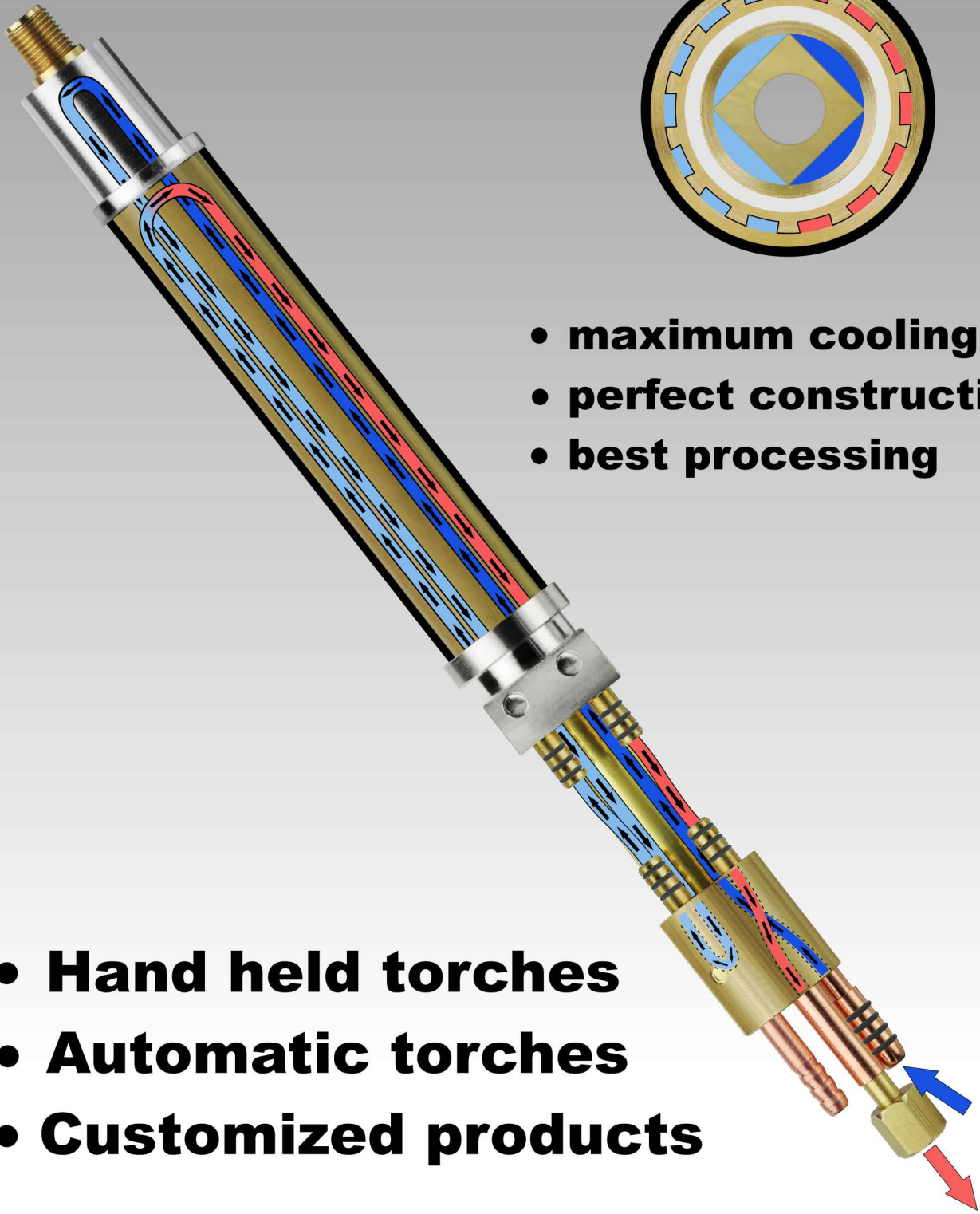
Custom made products



on request

HSN 805

Cascade cooling system



- maximum cooling
- perfect construction
- best processing

- Hand held torches
- Automatic torches
- Customized products

HSN 818

MIG-MAG Griffschalen

Ratio Griffschale mit Kugelgelenk



In
4 Farben
lieferbar !

Ratio Griffschale ohne Kugelgelenk



Industriegriffschale ohne Kugelgelenk



In
5 Farben
lieferbar !

Industriegriffschale mit Kugelgelenk



AUT - Griffrohr AD38mm (Art.Nr.: 91912921)



AUT-Federaufnahmhülse
(Art.Nr.: 91912711)

Messing vernickelt mit innenliegendem Isolierrohr

AUT - Griffrohr AD44mm (Art.Nr.: 91912923)

passend Brenner mit Kaskadenkühlsystem



AUT-Federaufnahmhülse
(Art.Nr.: 91912711)

Alu blank mit innenliegendem Isolierrohr

HSN 825



Ratio Griffschale mit Kugelgelenk

| Bohrung 16mmØ | Bohrung 18mmØ | Bohrung 20mmØ | Bohrung 21mmØ |
|---------------|---------------|---------------|---------------|
| ● 91912534 | ● 91912535 | ● 91912536 | ● 91912537 |
| ● 91912834 | ● 91912835 | ● 91912836 | ● 91912837 |
| ● 91912734 | ● 91912735 | ● 91912736 | ● 91912737 |
| ● 91912634 | ● 91912635 | ● 91912636 | ● 91912637 |



Ratio Griffschale ohne Kugelgelenk

| | | | |
|------------|------------|------------|------------|
| ● 91912434 | ● 91912435 | ● 91912436 | ● 91912437 |
|------------|------------|------------|------------|



Industrie Griffschale mit Kugelgelenk

| | | | |
|------------|------------|------------|------------|
| ● 91912101 | ● 91912102 | ● 91912103 | ● 91912104 |
|------------|------------|------------|------------|



Industrie Griffschale ohne Kugelgelenk

| | | | |
|------------|------------|------------|------------|
| ● 91912542 | ● 91912543 | ● 91912544 | ● 91912433 |
| ● 91912231 | ● 91912331 | ● 91912431 | ● 91912533 |
| ● 91912552 | ● 91912553 | ● 91912554 | |



Art.Nr.: 91912704
Federaufnahmhülse
pistolenseitig Kugelgelenk



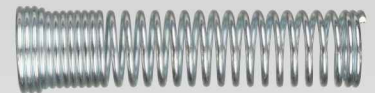
Art.Nr.: 91912701
Federaufnahmhülse
pistolenseitig Standard



Art.Nr.: 91912501
Knickschutzfeder pist.seit. für
wassergekühlte Brenner



Art.Nr.: 91912503
Knickschutzfeder pist.seit. für
gasgekühlte Brenner



Art.Nr.: 91912502
Knickschutzfeder pist.seit.
für gasgekühlte Brenner
ohne Aufnahmhülse



AUT - Federaufnahmhülse
Art.Nr.: 91912711



AUT - Knickschutzfeder
Art.Nr.: 91912511

Sondergriffschalen

RAUCH Griffschale mit Luftschieber



Art.Nr.: r9193811

Kugelgelenk passend
RAUCH Absaugschlauch



Ø 32mm
Art.Nr. r9193803



Ø 38mm
Art.Nr. r9193804

Pistolengriff mit Hitzeschutz- schild

Art.Nr.: 91912451
Art.Nr.: 91912453



HSN 826-1

MIG-MAG Brennerhähse und Brennerkörper

gasgekühlt

Art.Nr. 25091001

MHS 25-SPEZIAL

Art.Nr. 32091001

MHS 32

Art.Nr. 15009101

MHS 15

Art.Nr. 35910001

MHS 35-D

Art.Nr. 60091001

wassergekühlt

MHS KONSUL-600

Art.Nr. 80091001

MHS SENATOR-800-D

Art.Nr. 50191001

MHS 501-18-D

Art.Nr. 50001911

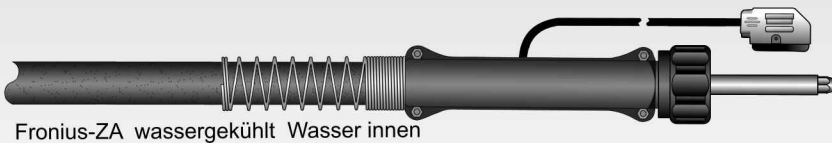
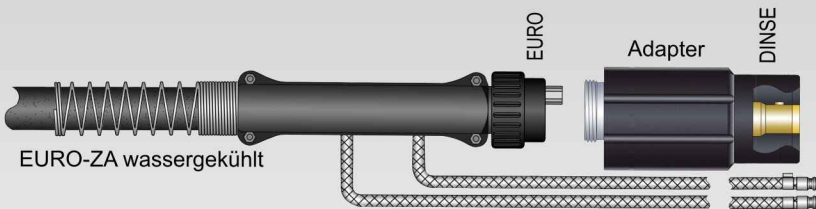
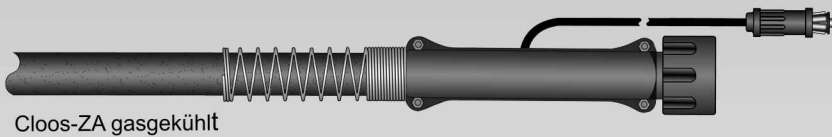
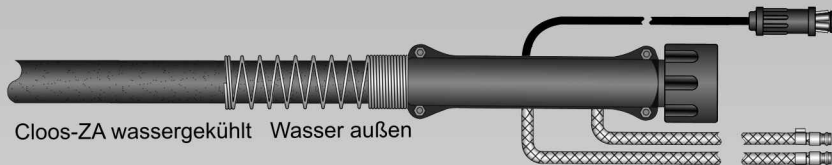
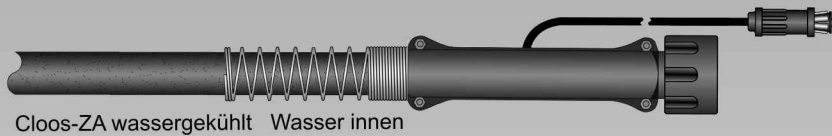
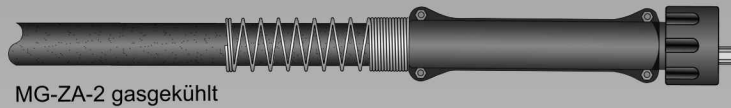
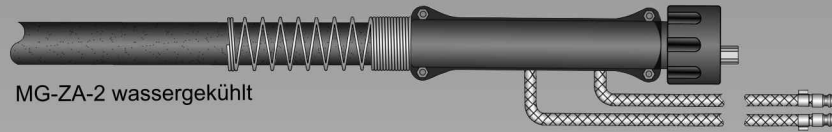
MHS FRX - 5000w

Art.Nr. 22291001

MHS 222-520

HSN 817-1

Holch-Schweißbrenner maschinenseitig verschiedene Anschlüsse



HSN 803

Component-drawings with spare parts

Welding torches MIG-MAG gas-cooled

page

| | |
|---------------------------------------------------------|-----------|
| Torch MHS 15 | 11 - 16 |
| Torch MHS 15-SUPER | 17 - 22 |
| Torch MHS 15-CLOU | 23 - 28 |
| Torch MHS 24-KD | 29 - 34 |
| Torch MHS 25-SPEZIAL | 35 - 40 |
| Torch MHS 25-AD-SUPER | 41 - 46 |
| Torch MHS 32 | 47 - 52 |
| Torch MHS 35-D | 53 - 58 |
| Torch MHS 36-KD | 59 - 64 |
| Torch MHS 37-D | 65 - 70 |
| Torch MHS BOB-45g | 71 - 76 |
| Torch MHS 60 | 77 - 82 |
| Torch MHS 61 | 83 - 88 |
| Torch MHS 82-D | 89 - 94 |
| Torch MHS Manni-164 | 95 - 100 |
| Torch MHS LURCHI-220 / LURCHI-320 (torch body flexible) | 101 - 106 |
| Torch MHS RAUCH-250 (fume extraction torch) | 107 - 112 |
| Torch MHS RAUCH-350-SC (fume extraction torch) | 113 - 118 |

Welding torches MIG-MAG water-cooled

| | |
|------------------------------------------------|-----------|
| Torch MHS 81-D | 119 - 124 |
| Torch MHS 92-D | 125 - 130 |
| Torch MHS 95-D | 131 - 136 |
| Torch MHS 222-520 | 137 - 142 |
| Torch MHS 240-18-D | 143 - 148 |
| Torch MHS 312 | 149 - 154 |
| Torch MHS Mini-316 | 155 - 160 |
| Torch MHS RAUCH-330 (fume extraction torch) | 161 - 166 |
| Torch MHS 351-D | 167 - 172 |
| Torch MHS 352-S | 173 - 178 |
| Torch MHS 353-R | 179 - 184 |
| Torch MHS 353-R-SUPER | 185 - 190 |
| Torch MHS 354 | 191 - 196 |
| Torch MHS RAUCH-450-SC (fume extraction torch) | 197 - 202 |
| Torch MHS BOB-450w | 203 - 208 |
| Torch MHS ERWIN-500 | 209 - 214 |
| Torch MHS ROCKET-1 | 215 - 220 |
| Torch MHS 401/501-18-D | 221 - 226 |
| Torch MHS 501-SUPER | 227 - 232 |
| Torch MHS KONSUL-600 | 233 - 238 |
| Torch MHS KONSUL-601 | 239 - 244 |
| Torch MHS 620 | 245 - 250 |
| Torch MHS SENATOR-800-D | 251 - 256 |
| Torch MHS YETI-900 | 257 - 262 |
| Torch MHS FRX-5000w/ws | 263 - 268 |

| | |
|--------------------------|------------|
| Machine side connections | appendix A |
| Custom made products | appendix B |
| Power/water cables | appendix C |
| Wire conduits | appendix D |
| Reel goods | appendix E |
| Sundries and tools | appendix F |

Deliveries are made in compliance with our terms
and conditions on next page only.
Subject to alteration!

General terms and conditions of sale

1. These general terms and conditions apply to all our present and future business relations. Purchasers' standard terms and conditions at variance with them apply only if we have expressly assented to them in writing.
2. Our tenders are without engagement. The contract is formed only by our written acceptance of the Purchaser's order.
3. Our prices are in Euro without tax, customs duty, shipment, packing, insurance, etc. Prices only apply for the particular order.
4. Delivery is made ex-works (place of fulfilment) by the mode of shipment most favourable for us. Additional costs for a mode of shipment stipulated by the Purchaser are borne by the Purchaser. Goods are always shipped at the risk (loss, deterioration, delay) of the Purchaser.
5. Our scheduled delivery dates are without engagement. Compensation claims for delayed deliveries cannot be accepted. For production oriented reasons we reserve the right to deliver up to 10% more or less of the contracted quantity.
6. We must be notified in writing about any deficiency in writing immediately, at latest ten days after acceptance of the delivery. If the goods are defective, we can choose whether to make the good the discharge of our obligations by rectifying the defect (remediation) or by supplying defect-free goods (replacement) or by refunding the purchasing price and taking back the defective good. Equipment repaired by us has to be checked for correct function immediately upon reception. We repair defective goods at no charge in our shop. Additional used consumables are charged to the Purchaser. Further claims are excluded. We explicitly are not liable for property loss or economic loss of the Purchaser or their customers.
7. The purchase price is due 10 days after invoicing (discount of 2 percent deductible) or 30 days of invoicing net. Cash discount will only be granted if there are no arrears from previous invoices.
8. Until all our present and future outstanding accounts have been paid in full we reserve ownership of the goods. The Purchaser may process and / or sell the goods in the course of orderly business. The Purchaser assigns to us now by way of security all trade debts arising from reselling the goods in total or to the extent of our ownership share. After all our present and future outstanding accounts have been paid in full the Purchaser gains ownership of the goods. Place of fulfilment and exclusive court of jurisdiction for any legal disputes is Siegen, Germany. The laws of the Federal Republic of Germany apply to the exclusion of all international and supranational regulations governing (contract) law.
9. In case of any dispute regarding the above terms and conditions or its translation, the German language version in its original edition has higher priority than any other translated versions. We will sent the Purchaser a copy of our German language version at any time upon request.

Torch MHS 15 gas-cooled

The factory standard gear (plugged gas nozzle) is marked in red.



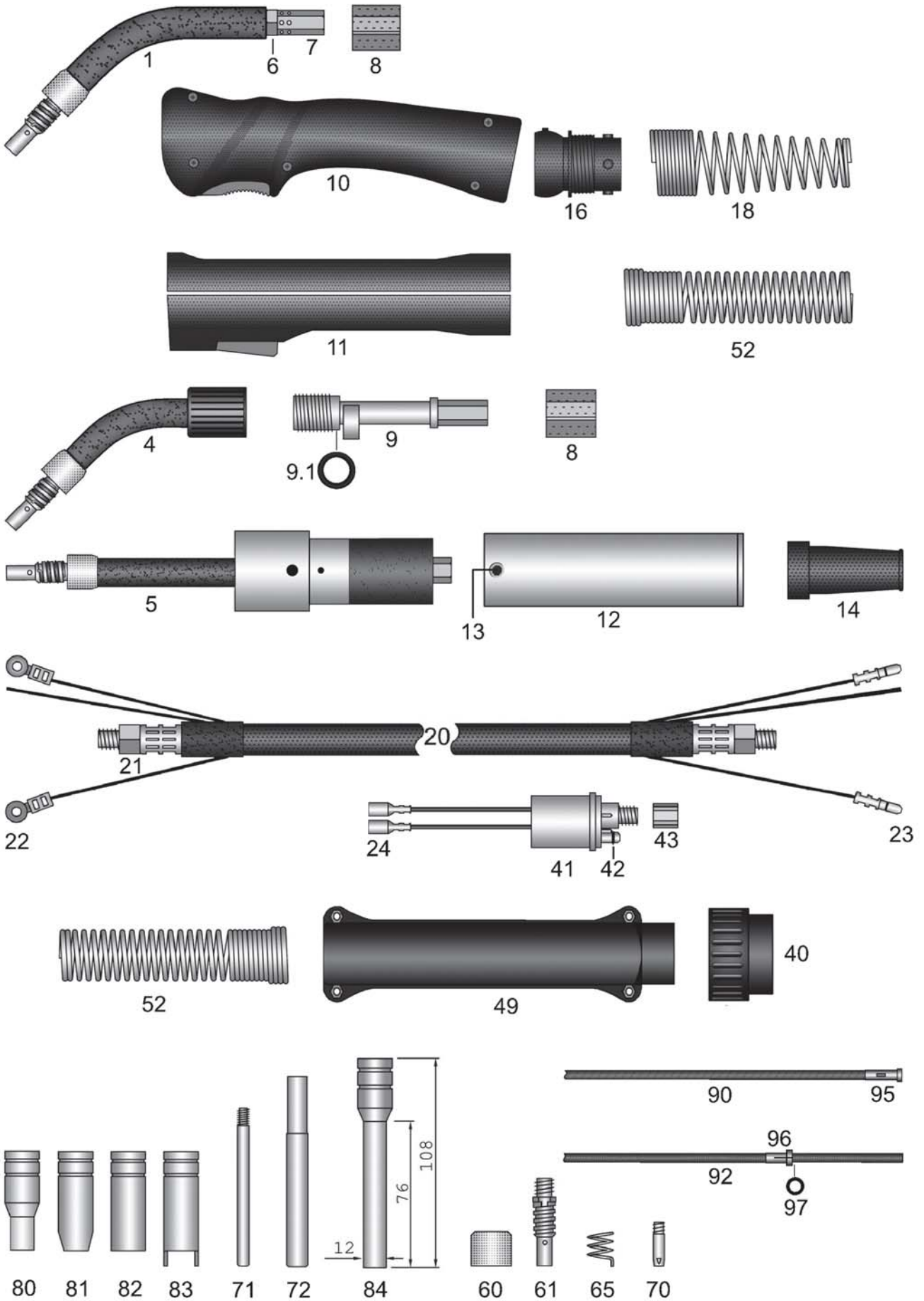
Holch Schweißbrenner GmbH
Bühlstraße 14
D-57080 Siegen

Phone: +49(0)271 387860-11
Telefax: +49(0)271 387860-29
E-Mail: info@holch-siegen.de
Web: www.holch-siegen.de



MHS 15 gas-cooled

180 Ampere at 60% duty cycle (CO₂) - 150 Ampere at 60% duty cycle (mixed gas)



HSN 115

Welding-torch MIG-MAG gas-cooled

180A at 60% duty cycle (CO₂) - 150A at 60% duty cycle (mixed gas)

| Art.-No. | |
|-------------------------------------------------------------------------------------------------------------------------------------------------------------------------------------------------------------------------------------------|---------------------------------------------------------------------------------------------|
| 15500311 | Torch MHS 15 / 3m EURO central adapter 16mm ² plugged |
| 15500411 | Torch MHS 15 / 4m EURO central adapter 16mm ² plugged |
| 15500511 | Torch MHS 15 / 5m EURO central adapter 16mm ² plugged |
| 15000311 | Torch MHS 15-SPEZIAL / 3m EURO central adapter 25mm ² plugged |
| 15000411 | Torch MHS 15-SPEZIAL / 4m EURO central adapter 25mm ² plugged |
| 15000511 | Torch MHS 15-SPEZIAL / 5m EURO central adapter 25mm ² plugged |
| 15100311 | DR Torch MHS 15-SPEZIAL / 3m EURO central adapter 25mm ² plugged |
| 15100411 | DR Torch MHS 15-SPEZIAL / 4m EURO central adapter 25mm ² plugged |
| 15100511 | DR Torch MHS 15-SPEZIAL / 5m EURO central adapter 25mm ² plugged |
| 15005311 | AUTomatic-torch MHS 15-SPEZIAL / 3m EURO central adapter 25mm ² plugged |
| 15105311 | DR AUTomatic-torch MHS 15-SPEZIAL / 3m EURO central adapter 25mm ² plugged |
| 15500313 | Torch MHS 15 / 3m EURO central adapter 16mm ² screwable M10 |
| 15500413 | Torch MHS 15 / 4m EURO central adapter 16mm ² screwable M10 |
| 15500513 | Torch MHS 15 / 5m EURO central adapter 16mm ² screwable M10 |
| 15000313 | Torch MHS 15-SPEZIAL / 3m EURO central adapter 25mm ² screwable M10 |
| 15000413 | Torch MHS 15-SPEZIAL / 4m EURO central adapter 25mm ² screwable M10 |
| 15000513 | Torch MHS 15-SPEZIAL / 5m EURO central adapter 25mm ² screwable M10 |
| 15100313 | DR Torch MHS 15-SPEZIAL / 3m EURO central adapter 25mm ² screwable M10 |
| 15100413 | DR Torch MHS 15-SPEZIAL / 4m EURO central adapter 25mm ² screwable M10 |
| 15100513 | DR Torch MHS 15-SPEZIAL / 5m EURO central adapter 25mm ² screwable M10 |
| 15005312 | AUTomatic-torch MHS 15-SPEZIAL / 3m EURO central adapter 25mm ² screwable M10 |
| 15105312 | DR AUTomatic-torch MHS 15-SPEZIAL / 3m EURO central adapter 25mm ² screwable M10 |
| <p>For torches without EURO central-adaptor the following prices apply. Please note that for some special machine side connections surcharges may arise, which you will find in the appendix "A" custom made products.</p> | |
| 15500301 | Torch MHS 15 / 3m 16mm ² plugged |
| 15500401 | Torch MHS 15 / 4m 16mm ² plugged |
| 15500501 | Torch MHS 15 / 5m 16mm ² plugged |
| 15000301 | Torch MHS 15-SPEZIAL / 3m 25mm ² plugged |
| 15000401 | Torch MHS 15-SPEZIAL / 4m 25mm ² plugged |
| 15000501 | Torch MHS 15-SPEZIAL / 5m 25mm ² plugged |
| 15100301 | DR Torch MHS 15-SPEZIAL / 3m 25mm ² plugged |
| 15100401 | DR Torch MHS 15-SPEZIAL / 4m 25mm ² plugged |
| 15100501 | DR Torch MHS 15-SPEZIAL / 5m 25mm ² plugged |
| 15005301 | AUTomatic-torch MHS 15-SPEZIAL / 3m 25mm ² plugged |
| 15105301 | DR AUTomatic-torch MHS 15-SPEZIAL / 3m 25mm ² plugged |
| 15500302 | Torch MHS 15 / 3m 16mm ² screwable M10 |
| 15500402 | Torch MHS 15 / 4m 16mm ² screwable M10 |
| 15500502 | Torch MHS 15 / 5m 16mm ² screwable M10 |

Welding-torch MIG-MAG gas-cooled

180A at 60% duty cycle (CO₂) - 150A at 60% duty cycle (mixed gas)

| Art.-No. | |
|----------|------------------------------------------------------------------------|
| 15000302 | Torch MHS 15-SPEZIAL / 3m 25mm ² screwable M10 |
| 15000402 | Torch MHS 15-SPEZIAL / 4m 25mm ² screwable M10 |
| 15000502 | Torch MHS 15-SPEZIAL / 5m 25mm ² screwable M10 |
| 15100302 | DR Torch MHS 15-SPEZIAL / 3m 25mm ² screwable M10 |
| 15100402 | DR Torch MHS 15-SPEZIAL / 4m 25mm ² screwable M10 |
| 15100502 | DR Torch MHS 15-SPEZIAL / 5m 25mm ² screwable M10 |
| 15005302 | AUTomatic-torch MHS 15-SPEZIAL / 3m 25mm ² screwable M10 |
| 15105302 | DR AUTomatic-torch MHS 15-SPEZIAL / 3m 25mm ² screwable M10 |

Special lengths for hand- and AUTomatic-torches please notice appendix "B".

| | |
|---------------|-----------------------------------------------------------|
| pg000001 | Surcharge: Pistol-shape-handle / stabilizer |
| N.i. 91912453 | Heat protection shield for pistol handle, screws included |
| 29004602 | Surcharge: Torch body with custom bending |

All torch bodies and AUTomatic torch bodies with rubber insulation, very massive power conduit, complete with contact tip holder and teflon insulator.

| | | |
|------|----------|------------------------------------------|
| 1 | 15009101 | Swan neck 15 plugged |
| 4 | 15109101 | DR Swan neck MHS 15 plugged |
| 5 | 15009151 | AUTomatic-torch body 15 plugged |
| N.i. | 15009103 | Swan neck 15 screwable M10 |
| N.i. | 15109102 | DR Swan neck MHS 15 screwable M10 |
| N.i. | 15009153 | AUTomatic-torch body 15 screwable M10 |
| 6 | 15912201 | Lock-nut M10x1-L6mm for Swan neck |
| 7 | 15912401 | Torch body brass SW12-L26mm |
| 8 | 15912301 | Polyamid-torch body |
| 9 | 15912602 | DR Torch body brass fits ratio handle |
| 9 | 15912601 | DR Torch body brass fits industry-handle |
| N.i. | 15912651 | Auxiliary torch body fits coaxial cable |
| 9.1 | 91903604 | O-ring ID19-W2,4mm |

**Handles, complete with switch, screws and ball joint!
Handles with hole-20mm are for swivel neck torches (DR torches).**

| | | |
|------|----------|--------------------------------------------------------------------------|
| 10 | 91912534 | Ratio-handle 16mm with ball joint |
| 10 | 91912536 | Ratio-handle 20mm with ball joint |
| 10 | 91912434 | Ratio-handle 16mm standard (without ball joint) |
| 10 | 91912436 | Ratio-handle 20mm standard (without ball joint) |
| N.i. | 91912438 | Ratio microswitch DC2 also fits RAUCH handle |
| N.i. | 91912439 | Push button red for Ratio handle also fits RAUCH handle |
| N.i. | 91912441 | Ratio spring fits button Ratio grip handle |
| 11 | 91912101 | Industry-handle 16mm with ball joint |
| 11 | 91912103 | Industry-handle 20mm with ball joint |
| 11 | 91912231 | Industry-handle 16mm standard (without ball joint) |
| 11 | 91912431 | Industry-handle 20mm standard (without ball joint) |
| N.i. | 91920411 | Switch-set fits industry-handle for 16/18/20mm (11 parts) |
| N.i. | 91920702 | Screw M3x11,5mm fits Ratio/Industry/RAUCH handle and cable support |
| N.i. | 91920703 | M3 mounting socket fits Ratio/Industry/RAUCH handle and cable support |
| 12 | 91912901 | AUT handle tube, brass-cladded AD38mm for AUT-torch rubber cable support |

Welding-torch MIG-MAG gas-cooled

180A at 60% duty cycle (CO₂) - 150A at 60% duty cycle (mixed gas)

| Art.-No. | | |
|----------|----------|-----------------------------------------------------------------------|
| 13 | 91912911 | Holding screw M4x6mm fits AUT handle tube |
| 14 | 15912801 | Rubber cable-support small for coaxial-cable |
| 16 | 91912704 | Spring socket pistol side fits handle with ball joint |
| 18 | 91912503 | Cable support spring handle-side for torches with ball joint |
| 20 | 14920311 | Coaxial-cable 16mm ² / 3m fits EURO central adapter |
| 20 | 14920411 | Coaxial-cable 16mm ² / 4m fits EURO central adapter |
| 20 | 14920511 | Coaxial-cable 16 mm ² / 5m fits EURO central adapter |
| 20 | 15920311 | Coaxial-cable 25mm ² / 3m fits EURO central adapter |
| 20 | 15920411 | Coaxial-cable 25mm ² / 4m fits EURO central adapter |
| 20 | 15920511 | Coaxial-cable 25mm ² / 5m fits EURO central adapter |
| 21 | 15912211 | Lock-nut M10x1-L9,5mm for coaxial-cable |
| 22 | 91902811 | Cable-plug fits industry-handle |
| 23 | 91902901 | Male connector cable-plug for machine side EURO central adapter |
| 24 | 91903001 | Female connector cable-plug fits machine side EURO central adapter |
| 40 | 91900701 | Terminal nut insulated fits EURO central adapter |
| 41 | 91900101 | Central adapter fixed contact-pins EURO central adapter |
| 41 | 91900106 | Central adapter spring contact-pins EURO central adapter |
| 42 | 91900801 | O-ring ID4-W1mm fits gas-nipple EURO central adapter |
| 43 | 91900901 | Coupling nut IT-M10x1 (rounded edges) fits EURO central adapter |
| 49 | 91900561 | Cable support machine side (screws included) EURO central adapter |
| N.i. | 91920702 | Screw M3x11,5mm fits Ratio/Industry/RAUCH handle and cable support |
| N.i. | 91920703 | M3 mounting socket fits Ratio/Industry/RAUCH handle and cable support |
| N.i. | 91900601 | Attachment screw M4x6mm fits cable support EURO central adapter |
| 52 | 91912502 | Cable support spring fits handles without ball joint and for EURO |
| 60 | 15291201 | Teflon protection sleeve ID16mm |
| 61 | 15298001 | Gas nozzle/contact tip holder complete with nozzle spring |
| N.i. | 15398001 | Gas nozzle/contact tip holder screwable M10 nickel plated |
| 65 | 15912901 | Nozzle spring for gas nozzle |
| 70 | 62508001 | Contact tip M6-L25-AD6 0,8 |
| 70 | 62510001 | Contact tip M6-L25-AD6 1,0 |
| 70 | 62508301 | Contact tip M6-L25-AD6 0,8 nickel-plated |
| 70 | 62510301 | Contact tip M6-L25-AD6 1,0 nickel-plated |
| 70 | 62508a01 | Contact tip M6-L25-D6 0,8-A for aluminium wire |
| 71 | 68310101 | Narrow-gap contact tip M6-L83-AD6 0,8-1,0 nickel-plated |
| 72 | 91921801 | Centering wrench for Narrow-gap contact tip M6-L83-D6 |
| 80 | 15930341 | Narrow-gap gas nozzle with cylinder ID10-L21mm plugged |
| 80 | 15931341 | Narrow-gap gas nozzle with cylinder ID10-L21mm screwable M10 |
| 81 | 15930001 | Gas nozzle conical-ID12mm long insulation plugged |
| 81 | 15931001 | Gas nozzle conical-ID12mm long insulation screwable M10 |
| 82 | 15930301 | Gas nozzle cylindric-ID16mm long insulation plugged |
| 82 | 15931301 | Gas nozzle cylindric-ID16mm long insulation screwable M10 |

Welding-torch MIG-MAG gas-cooled

180A at 60% duty cycle (CO₂) - 150A at 60% duty cycle (mixed gas)

| Art.-No. | | |
|---------------------------------------------------------------------|----------|-------------------------------------------------------------------|
| 83 | 15930501 | Spotweld gas nozzle plugged |
| 83 | 15931501 | Spotweld gas nozzle screwable M10 |
| 84 | 15930351 | Narrow-gap gas nozzle with cylinder ID10-L76mm plugged |
| 84 | 15931351 | Narrow-gap gas nozzle with cylinder ID10-L76mm screwable M10 |
| Spirals and liners also available in other sizes on inquiry! | | |
| 90 | 15451311 | Guide spiral-line blue ID1,5-AD4,5 fits 3m / EURO central adapter |
| 90 | 15451411 | Guide spiral-line blue ID1,5-AD4,5 fits 4m / EURO central adapter |
| 90 | 15451511 | Guide spiral-line blue ID1,5-AD4,5 fits 5m / EURO central adapter |
| 90 | 20451311 | Guide spiral-line red ID2,0-AD4,5 fits 3m / EURO central adapter |
| 90 | 20451411 | Guide spiral-line red ID2,0-AD4,5 fits 4m / EURO central adapter |
| 90 | 20451511 | Guide spiral-line red ID2,0-AD4,5 fits 5m / EURO central adapter |
| 92 | 20393311 | PTFE-carbon core liner ID2,0-AD3,9 fits 3m / EURO central adapter |
| 92 | 20393411 | PTFE-carbon core liner ID2,0-AD3,9 fits 4m / EURO central adapter |
| 92 | 20393511 | PTFE-carbon core liner ID2,0-AD3,9 fits 5m / EURO central adapter |
| 92 | 20406311 | PA-core liner black ID2,0-AD4,0 fits 3m / EURO central adapter |
| 92 | 20406411 | PA-core liner black ID2,0-AD4,0 fits 4m / EURO central adapter |
| 92 | 20406511 | PA-core liner black ID2,0-AD4,0 fits 5m / EURO central adapter |
| N.i. | 20405002 | Brass spiral liner blue L300mm IG fits AD3,9/4,0mm |
| 95 | 91905721 | Nipple fits spiral liner EURO central adapter AD 4,5mm |
| 96 | 91906111 | Nipple fits core liner EURO central adapter AD3,9/4,0mm |
| 97 | 91906131 | O-ring ID3,5-W1,5 fits core liners |
| N.i. | 91906112 | Support tube, brass ID4,4 - AD5,0 - L200mm |

Torch MHS 15-SUPER gas-cooled

The factory standard gear (plugged gas nozzle) is marked in red.



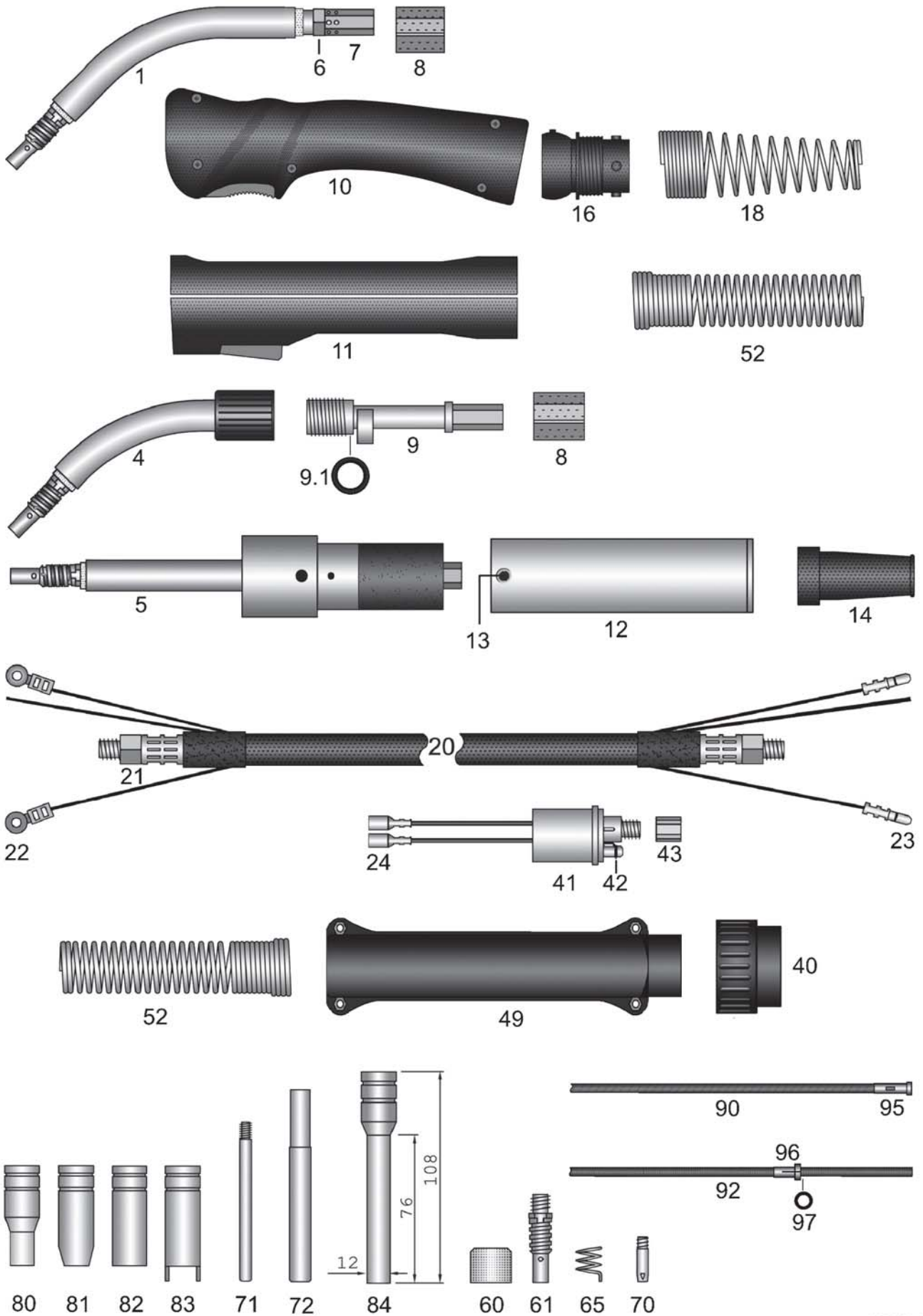
Holch Schweißbrenner GmbH
Bühlstraße 14
D-57080 Siegen

Phone: +49(0)271 387860-11
Telefax: +49(0)271 387860-29
E-Mail: info@holch-siegen.de
Web: www.holch-siegen.de



MHS 15-SUPER gas-cooled

180 Ampere at 60% duty cycle (CO₂) - 150 Ampere at 60% duty cycle (mixed gas)



HSN 117

Welding-torch MIG-MAG gas-cooled

180A at 60% duty cycle (CO₂) - 150A at 60% duty cycle (mixed gas)

| Art.-No. | |
|------------------------------------------------------------------------------------------------------------------------------------------------------------------------------------------------------------------------------------|----------------------------------------------------------------------------------------|
| 15200311 | Torch MHS 15-SUPER / 3m EURO central adapter 25mm ² plugged |
| 15200411 | Torch MHS 15-SUPER / 4m EURO central adapter 25mm ² plugged |
| 15200511 | Torch MHS 15-SUPER / 5m EURO central adapter 25mm ² plugged |
| 15210311 | DR Torch MHS 15-SUPER / 3m EURO central adapter 25mm ² plugged |
| 15210411 | DR Torch MHS 15-SUPER / 4m EURO central adapter 25mm ² plugged |
| 15210511 | DR Torch MHS 15-SUPER / 5m EURO central adapter 25mm ² plugged |
| 15205311 | AUTomatic-torch MHS 15-SUPER / 3m EURO central adapter 25mm ² plugged |
| 15215311 | DR AUTomatic-torch MHS 15-SUPER / 3m EURO central adapter 25mm ² plugged |
| 15200313 | Torch MHS 15-SUPER / 3m EURO central adapter 25mm ² screwable M10 |
| 15200413 | Torch MHS 15-SUPER / 4m EURO central adapter 25mm ² screwable M10 |
| 15200513 | Torch MHS 15-SUPER / 5m EURO central adapter 25mm ² screwable M10 |
| 15210313 | DR Torch MHS 15-SUPER / 3m EURO central adapter 25mm ² screwable M10 |
| 15210413 | DR Torch MHS 15-SUPER / 4m EURO central adapter 25mm ² screwable M10 |
| 15210513 | DR Torch MHS 15-SUPER / 5m EURO central adapter 25mm ² screwable M10 |
| 15205312 | AUTomatic-torch MHS 15-SUPER / 3m EURO central adapter 25mm ² screwable M10 |
| 15215312 | DR AUTomatic-torch MHS 15-SUPER / 3m EURO central adapter 25mm ² screwable |
| For torches without EURO central-adaptor the following prices apply. Please note that for some special machine side connections surcharges may arise, which you will find in the appendix "A" custom made products. | |
| 15200301 | Torch MHS 15-SUPER / 3m 25mm ² plugged |
| 15200401 | Torch MHS 15-SUPER / 4m 25mm ² plugged |
| 15200501 | Torch MHS 15-SUPER / 5m 25mm ² plugged |
| 15210301 | DR Torch MHS 15-SUPER / 3m 25mm ² plugged |
| 15210401 | DR Torch MHS 15-SUPER / 4m 25mm ² plugged |
| 15210501 | DR Torch MHS 15-SUPER / 5m 25mm ² plugged |
| 15205301 | AUTomatic-torch MHS 15-SUPER / 3m 25mm ² plugged |
| 15215301 | DR AUTomatic-torch MHS 15-SUPER / 3m 25mm ² plugged |
| 15200302 | Torch MHS 15-SUPER / 3m 25mm ² screwable M10 |
| 15200402 | Torch MHS 15-SUPER / 4m 25mm ² screwable M10 |
| 15200502 | Torch MHS 15-SUPER / 5m 25mm ² screwable M10 |
| 15210302 | DR Torch MHS 15-SUPER / 3m 25mm ² screwable M10 |
| 15210402 | DR Torch MHS 15-SUPER / 4m 25mm ² screwable M10 |
| 15210502 | DR Torch MHS 15-SUPER / 5m 25mm ² screwable M10 |
| 15205302 | AUTomatic-torch MHS 15-SUPER / 3m 25mm ² screwable M10 |
| 15215302 | DR AUTomatic-torch MHS 15-SUPER / 3m 25mm ² screwable M10 |
| Special lengths for hand- and AUTomatic-torches please notice appendix "B". | |
| pg000001 | Surcharge: Pistol-shape-handle / stabilizer |
| N.i. | 91912453 Heat protection shield for pistol handle, screws included |
| 29004602 | Surcharge: Torch body with custom bending |

Welding-torch MIG-MAG gas-cooled

180A at 60% duty cycle (CO₂) - 150A at 60% duty cycle (mixed gas)

| Art.-No. | | |
|------------------------------------------------------------------------------------------------------------------------------------------------------------------------------------------------|----------|--------------------------------------------------------------------------|
| All torch bodies and AUTomatic torch bodies with teflon insulation, nickel coated brazen outer tube, very massive power conduit, complete with contact tip holder and teflon insulator. | | |
| 1 | 15209101 | Swan neck 15-SUPER plugged |
| 4 | 15219101 | DR Swan neck MHS 15-SUPER plugged |
| 5 | 15209151 | AUTomatic-torch body 15-SUPER plugged |
| | 15209102 | Swan neck 15-SUPER screwable M10 |
| | 15219102 | DR Swan neck MHS 15-SUPER screwable M10 |
| | 15209153 | AUTomatic-torch body 15-SUPER screwable M10 |
| 6 | 15912201 | Lock-nut M10x1-L6mm for Swan neck |
| 7 | 15912401 | Torch body brass SW12-L26mm |
| 8 | 15912301 | Polyamid-torch body |
| 9 | 15912602 | DR Torch body brass fits ratio handle |
| 9 | 15912601 | DR Torch body brass fits industry-handle |
| N.i. | 15912651 | Auxiliary torch body fits coaxial cable |
| 9.1 | 91903604 | O-ring ID19-W2,4mm |
| Handles, complete with switch, screws and ball joint! Handles with hole-20mm are for swivel neck torches (DR torches). | | |
| 10 | 91912534 | Ratio-handle 16mm with ball joint |
| 10 | 91912536 | Ratio-handle 20mm with ball joint |
| 10 | 91912434 | Ratio-handle 16mm standard (without ball joint) |
| 10 | 91912436 | Ratio-handle 20mm standard (without ball joint) |
| N.i. | 91912438 | Ratio microswitch DC2 also fits RAUCH handle |
| N.i. | 91912439 | Push button red for Ratio handle also fits RAUCH handle |
| N.i. | 91912441 | Ratio spring fits button Ratio grip handle |
| 11 | 91912101 | Industry-handle 16mm with ball joint |
| 11 | 91912103 | Industry-handle 20mm with ball joint |
| 11 | 91912231 | Industry-handle 16mm standard (without ball joint) |
| 11 | 91912431 | Industry-handle 20mm standard (without ball joint) |
| N.i. | 91920411 | Switch-set fits industry-handle for 16/18/20mm (11 parts) |
| N.i. | 91920702 | Screw M3x11,5mm fits Ratio/Industry/RAUCH handle and cable support |
| N.i. | 91920703 | M3 mounting socket fits Ratio/Industry/RAUCH handle and cable support |
| 12 | 91912901 | AUT handle tube, brass-cladded AD38mm for AUT-torch rubber cable support |
| 13 | 91912911 | Holding screw M4x6mm fits AUT handle tube |
| 14 | 15912801 | Rubber cable-support small for coaxial-cable |
| 16 | 91912704 | Spring socket pistol side fits handle with ball joint |
| 18 | 91912503 | Cable support spring handle-side for torches with ball joint |
| 20 | 15920311 | Coaxial-cable 25mm ² / 3m fits EURO central adapter |
| 20 | 15920411 | Coaxial-cable 25mm ² / 4m fits EURO central adapter |
| 20 | 15920511 | Coaxial-cable 25mm ² / 5m fits EURO central adapter |
| 21 | 15912211 | Lock-nut M10x1-L9,5mm for coaxial-cable |
| 22 | 91902811 | Cable-plug fits industry-handle |
| 23 | 91902901 | Male connector cable-plug for machine side EURO central adapter |
| 24 | 91903001 | Female connector cable-plug fits machine side EURO central adapter |
| 40 | 91900701 | Terminal nut insulated fits EURO central adapter |

Welding-torch MIG-MAG gas-cooled

180A at 60% duty cycle (CO₂) - 150A at 60% duty cycle (mixed gas)

| Art.-No. | | |
|---------------------------------------------------------------------|----------|-----------------------------------------------------------------------|
| 41 | 91900101 | Central adapter fixed contact-pins EURO central adapter |
| 41 | 91900106 | Central adapter spring contact-pins EURO central adapter |
| 42 | 91900801 | O-ring ID4-W1mm fits gas-nipple EURO central adapter |
| 43 | 91900901 | Coupling nut IT-M10x1 (rounded edges) fits EURO central adapter |
| 49 | 91900561 | Cable support machine side (screws included) EURO central adapter |
| N.i. | 91920702 | Screw M3x11,5mm fits Ratio/Industry/RAUCH handle and cable support |
| N.i. | 91920703 | M3 mounting socket fits Ratio/Industry/RAUCH handle and cable support |
| N.i. | 91900601 | Attachment screw M4x6mm fits cable support EURO central adapter |
| 52 | 91912502 | Cable support spring fits handles without ball joint and for EURO |
| 60 | 15291201 | Teflon protection sleeve ID16mm |
| 61 | 15298001 | Gas nozzle/contact tip holder complete with nozzle spring |
| N.i. | 15398001 | Gas nozzle/contact tip holder screwable M10 nickel plated |
| 65 | 15912901 | Nozzle spring for gas nozzle |
| 70 | 62508001 | Contact tip M6-L25-AD6 0,8 |
| 70 | 62510001 | Contact tip M6-L25-AD6 1,0 |
| 70 | 62508301 | Contact tip M6-L25-AD6 0,8 nickel-plated |
| 70 | 62510301 | Contact tip M6-L25-AD6 1,0 nickel-plated |
| 70 | 62508a01 | Contact tip M6-L25-D6 0,8-A for aluminium wire |
| 71 | 68310101 | Narrow-gap contact tip M6-L83-AD6 0,8-1,0 nickel-plated |
| 72 | 91921801 | Centering wrench for Narrow-gap contact tip M6-L83-D6 |
| 80 | 15930341 | Narrow-gap gas nozzle with cylinder ID10-L21mm plugged |
| 80 | 15931341 | Narrow-gap gas nozzle with cylinder ID10-L21mm screwable M10 |
| 81 | 15930001 | Gas nozzle conical-ID12mm long insulation plugged |
| 81 | 15931001 | Gas nozzle conical-ID12mm long insulation screwable M10 |
| 82 | 15930301 | Gas nozzle cylindric-ID16mm long insulation plugged |
| 82 | 15931301 | Gas nozzle cylindric-ID16mm long insulation screwable M10 |
| 83 | 15930501 | Spotweld gas nozzle plugged |
| 83 | 15931501 | Spotweld gas nozzle screwable M10 |
| 84 | 15930351 | Narrow-gap gas nozzle with cylinder ID10-L76mm plugged |
| 84 | 15931351 | Narrow-gap gas nozzle with cylinder ID10-L76mm screwable M10 |
| Spirals and liners also available in other sizes on inquiry! | | |
| 90 | 15451311 | Guide spiral-line blue ID1,5-AD4,5 fits 3m / EURO central adapter |
| 90 | 15451411 | Guide spiral-line blue ID1,5-AD4,5 fits 4m / EURO central adapter |
| 90 | 15451511 | Guide spiral-line blue ID1,5-AD4,5 fits 5m / EURO central adapter |
| 90 | 20451311 | Guide spiral-line red ID2,0-AD4,5 fits 3m / EURO central adapter |
| 90 | 20451411 | Guide spiral-line red ID2,0-AD4,5 fits 4m / EURO central adapter |
| 90 | 20451511 | Guide spiral-line red ID2,0-AD4,5 fits 5m / EURO central adapter |
| 92 | 20393311 | PTFE-carbon core liner ID2,0-AD3,9 fits 3m / EURO central adapter |
| 92 | 20393411 | PTFE-carbon core liner ID2,0-AD3,9 fits 4m / EURO central adapter |
| 92 | 20393511 | PTFE-carbon core liner ID2,0-AD3,9 fits 5m / EURO central adapter |

Welding-torch MIG-MAG gas-cooled

180A at 60% duty cycle (CO2) - 150A at 60% duty cycle (mixed gas)

| Art.-No. | | |
|----------|----------|----------------------------------------------------------------|
| 92 | 20406311 | PA-core liner black ID2,0-AD4,0 fits 3m / EURO central adapter |
| 92 | 20406411 | PA-core liner black ID2,0-AD4,0 fits 4m / EURO central adapter |
| 92 | 20406511 | PA-core liner black ID2,0-AD4,0 fits 5m / EURO central adapter |
| N.i. | 20405002 | Brass spiral liner blue L300mm IG fits AD3,9/4,0mm |
| 95 | 91905721 | Nipple fits spiral liner EURO central adapter AD 4,5mm |
| 96 | 91906111 | Nipple fits core liner EURO central adapter AD3,9/4,0mm |
| 97 | 91906131 | O-ring ID3,5-W1,5 fits core liners |
| N.i. | 91906112 | Support tube, brass ID4,4 - AD5,0 - L200mm |

Torch MHS 15-CLOU gas-cooled

The factory standard gear is marked in red.



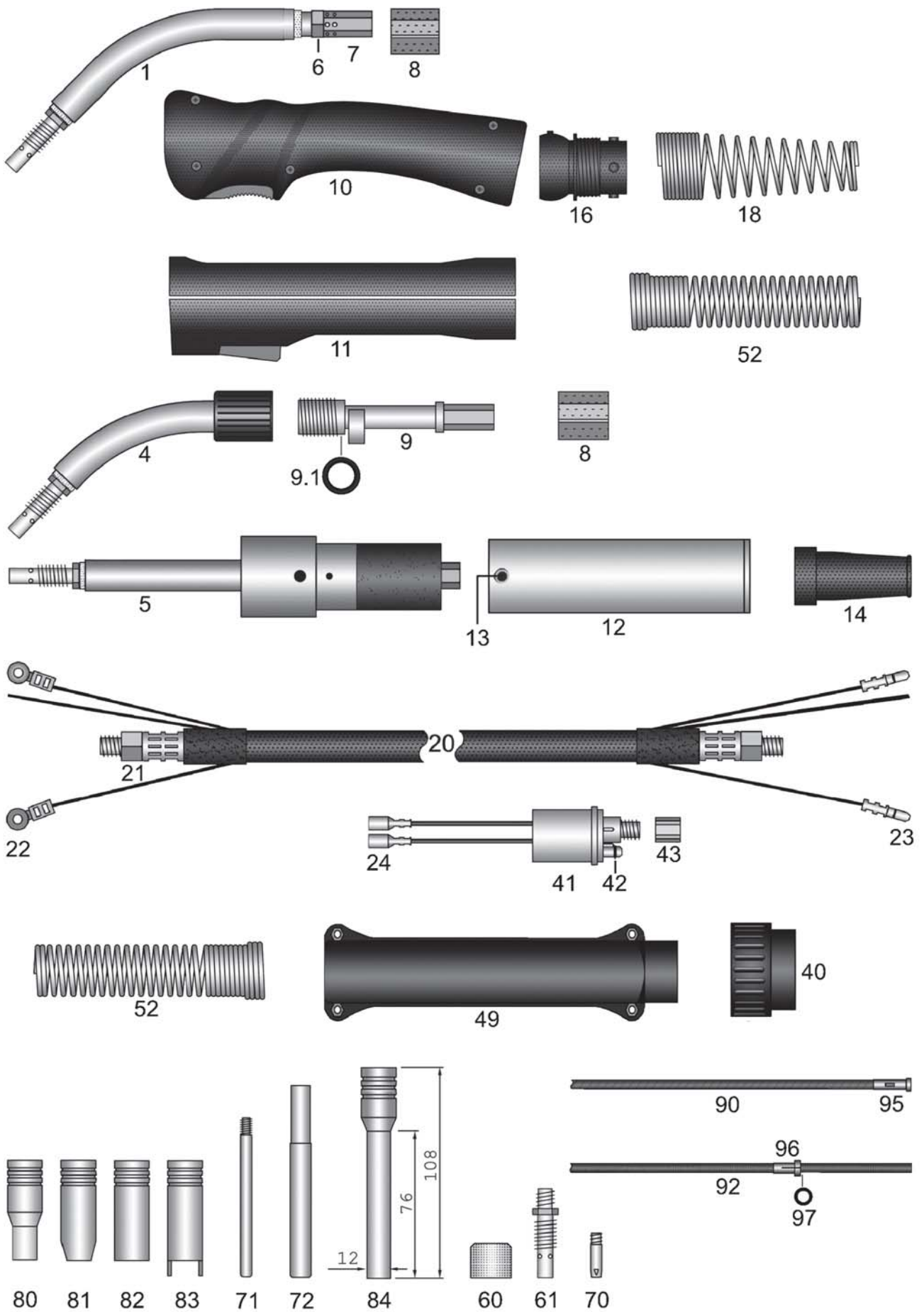
Holch Schweißbrenner GmbH
Bühlstraße 14
D-57080 Siegen

Phone: +49(0)271 387860-11
Telefax: +49(0)271 387860-29
E-Mail: info@holch-siegen.de
Web: www.holch-siegen.de



MHS 15-CLOU gas-cooled

180 Ampere at 60% duty cycle (CO₂) - 150 Ampere at 60% duty cycle (mixed gas)



HSN 116

Welding-torch MIG-MAG gas-cooled

180A at 60% duty cycle (CO₂) - 150A at 60% duty cycle (mixed gas)**Art.-No.****Spare parts as torch MHS Mini 316 water-cooled**16000311 Torch MHS 15-CLOU / 3m EURO central adapter 25mm² screwable M1116000411 Torch MHS 15-CLOU / 4m EURO central adapter 25mm² screwable M1116000511 Torch MHS 15-CLOU / 5m EURO central adapter 25mm² screwable M1116010311 DR Torch MHS 15-CLOU / 3m EURO central adapter 25mm² screwable M1116010411 DR Torch MHS 15-CLOU / 4m EURO central adapter 25mm² screwable M1116010511 DR Torch MHS 15-CLOU / 5m EURO central adapter 25mm² screwable M1116005311 AUTomatic-torch MHS 15-CLOU / 3m EURO central adapter 25mm² screwable M1116015311 DR AUTomatic-torch MHS 15-CLOU / 3m EURO central adapter 25mm² screwable M11

**For torches without EURO central-adaptor the following prices apply.
Please note that for some special machine side connections surcharges may arise,
which you will find in the appendix "A" custom made products.**

16000301 Torch MHS 15-CLOU / 3m 25mm² screwable M1116000401 Torch MHS 15-CLOU / 4m 25mm² screwable M1116000501 Torch MHS 15-CLOU / 5m 25mm² screwable M1116010301 DR Torch MHS 15-CLOU / 3m 25mm² screwable M1116010401 DR Torch MHS 15-CLOU / 4m 25mm² screwable M1116010501 DR Torch MHS 15-CLOU / 5m 25mm² screwable M1116005301 AUTomatic-torch MHS 15-CLOU / 3m 25mm² screwable M1116015301 DR AUTomatic-torch MHS 15-CLOU / 3m 25mm² screwable M11**Special lengths for hand- and AUTomatic-torches please notice appendix "B".**

pg000001 Surcharge: Pistol-shape-handle / stabilizer

N.i. 91912453 Heat protection shield for pistol handle, screws included

29004602 Surcharge: Torch body with custom bending

All torch bodies and AUTomatic torch bodies with teflon insulation, nickel coated brazen outer tube, very massive power conduit, complete with contact tip holder and teflon insulator.

1 16009101 Swan neck screwable M11

4 16019101 DR Swan neck MHS 15-CLOU screwable M11

5 16009151 AUTomatic-torch body screwable M11

6 15912201 Lock-nut M10x1-L6mm for Swan neck

7 15912401 Torch body brass SW12-L26mm

8 15912301 Polyamid-torch body

9 15912602 DR Torch body brass fits ratio handle

9 15912601 DR Torch body brass fits industry-handle

N.i. 15912651 Auxiliary torch body fits coaxial cable

9.1 91903604 O-ring ID19-W2,4mm

**Handles, complete with switch, screws and ball joint!
Handles with hole-20mm are for swivel neck torches (DR torches).**

10 91912534 Ratio-handle 16mm with ball joint

10 91912536 Ratio-handle 20mm with ball joint

10 91912434 Ratio-handle 16mm standard (without ball joint)

10 91912436 Ratio-handle 20mm standard (without ball joint)

Welding-torch MIG-MAG gas-cooled

180A at 60% duty cycle (CO₂) - 150A at 60% duty cycle (mixed gas)

| Art.-No. | | |
|----------|----------|--------------------------------------------------------------------------|
| N.i. | 91912438 | Ratio microswitch DC2 also fits RAUCH handle |
| N.i. | 91912439 | Push button red for Ratio handle also fits RAUCH handle |
| N.i. | 91912441 | Ratio spring fits button Ratio grip handle |
| 11 | 91912101 | Industry-handle 16mm with ball joint |
| 11 | 91912103 | Industry-handle 20mm with ball joint |
| 11 | 91912231 | Industry-handle 16mm standard (without ball joint) |
| 11 | 91912431 | Industry-handle 20mm standard (without ball joint) |
| N.i. | 91920411 | Switch-set fits industry-handle for 16/18/20mm (11 parts) |
| N.i. | 91920702 | Screw M3x11,5mm fits Ratio/Industry/RAUCH handle and cable support |
| N.i. | 91920703 | M3 mounting socket fits Ratio/Industry/RAUCH handle and cable support |
| 12 | 91912901 | AUT handle tube, brass-cladded AD38mm for AUT-torch rubber cable support |
| 13 | 91912911 | Holding screw M4x6mm fits AUT handle tube |
| 14 | 15912801 | Rubber cable-support small for coaxial-cable |
| 16 | 91912704 | Spring socket pistol side fits handle with ball joint |
| 18 | 91912503 | Cable support spring handle-side for torches with ball joint |
| 20 | 15920311 | Coaxial-cable 25mm ² / 3m fits EURO central adapter |
| 20 | 15920411 | Coaxial-cable 25mm ² / 4m fits EURO central adapter |
| 20 | 15920511 | Coaxial-cable 25mm ² / 5m fits EURO central adapter |
| 21 | 15912211 | Lock-nut M10x1-L9,5mm for coaxial-cable |
| 22 | 91902811 | Cable-plug fits industry-handle |
| 23 | 91902901 | Male connector cable-plug for machine side EURO central adapter |
| 24 | 91903001 | Female connector cable-plug fits machine side EURO central adapter |
| 40 | 91900701 | Terminal nut insulated fits EURO central adapter |
| 41 | 91900101 | Central adapter fixed contact-pins EURO central adapter |
| 41 | 91900106 | Central adapter spring contact-pins EURO central adapter |
| 42 | 91900801 | O-ring ID4-W1mm fits gas-nipple EURO central adapter |
| 43 | 91900901 | Coupling nut IT-M10x1 (rounded edges) fits EURO central adapter |
| 49 | 91900561 | Cable support machine side (screws included) EURO central adapter |
| N.i. | 91920702 | Screw M3x11,5mm fits Ratio/Industry/RAUCH handle and cable support |
| N.i. | 91920703 | M3 mounting socket fits Ratio/Industry/RAUCH handle and cable support |
| N.i. | 91900601 | Attachment screw M4x6mm fits cable support EURO central adapter |
| 52 | 91912502 | Cable support spring fits handles without ball joint and for EURO |
| 60 | 15291201 | Teflon protection sleeve ID16mm |
| 61 | 16098001 | Contact-tip/nozzle holder fits screwable gas nozzle-M11 |
| 70 | 62508001 | Contact tip M6-L25-AD6 0,8 |
| 70 | 62510001 | Contact tip M6-L25-AD6 1,0 |
| 70 | 62508301 | Contact tip M6-L25-AD6 0,8 nickel-plated |
| 70 | 62510301 | Contact tip M6-L25-AD6 1,0 nickel-plated |
| 70 | 62508a01 | Contact tip M6-L25-D6 0,8-A for aluminium wire |
| 71 | 68310101 | Narrow-gap contact tip M6-L83-AD6 0,8-1,0 nickel-plated |
| 72 | 91921801 | Centering wrench for Narrow-gap contact tip M6-L83-D6 |
| 80 | 16093341 | Narrow-gap gas nozzle screwable M11 with cylinder ID10-L21mm |
| 81 | 16093001 | Gas nozzle conical-ID12mm long insulation screwable M11 |

Welding-torch MIG-MAG gas-cooled

180A at 60% duty cycle (CO₂) - 150A at 60% duty cycle (mixed gas)

| Art.-No. | | |
|---------------------------------------------------------------------|----------|-------------------------------------------------------------------|
| 82 | 16093301 | Gas nozzle cylindric-ID16mm long insulation screwable M11 |
| 83 | 16093501 | Spotweld gas nozzle screwable M11 |
| 84 | 16093351 | Narrow-gap gas nozzle screwable M11 with cylinder ID10-L76mm |
| Spirals and liners also available in other sizes on inquiry! | | |
| 90 | 15451311 | Guide spiral-line blue ID1,5-AD4,5 fits 3m / EURO central adapter |
| 90 | 15451411 | Guide spiral-line blue ID1,5-AD4,5 fits 4m / EURO central adapter |
| 90 | 15451511 | Guide spiral-line blue ID1,5-AD4,5 fits 5m / EURO central adapter |
| 90 | 20451311 | Guide spiral-line red ID2,0-AD4,5 fits 3m / EURO central adapter |
| 90 | 20451411 | Guide spiral-line red ID2,0-AD4,5 fits 4m / EURO central adapter |
| 90 | 20451511 | Guide spiral-line red ID2,0-AD4,5 fits 5m / EURO central adapter |
| 92 | 20393311 | PTFE-carbon core liner ID2,0-AD3,9 fits 3m / EURO central adapter |
| 92 | 20393411 | PTFE-carbon core liner ID2,0-AD3,9 fits 4m / EURO central adapter |
| 92 | 20393511 | PTFE-carbon core liner ID2,0-AD3,9 fits 5m / EURO central adapter |
| 92 | 20406311 | PA-core liner black ID2,0-AD4,0 fits 3m / EURO central adapter |
| 92 | 20406411 | PA-core liner black ID2,0-AD4,0 fits 4m / EURO central adapter |
| 92 | 20406511 | PA-core liner black ID2,0-AD4,0 fits 5m / EURO central adapter |
| N.i. | 20405002 | Brass spiral liner blue L300mm IG fits AD3,9/4,0mm |
| 95 | 91905721 | Nipple fits spiral liner EURO central adapter AD 4,5mm |
| 96 | 91906111 | Nipple fits core liner EURO central adapter AD3,9/4,0mm |
| 97 | 91906131 | O-ring ID3,5-W1,5 fits core liners |
| N.i. | 91906112 | Support tube, brass ID4,4 - AD5,0 - L200mm |

Torch MHS 24-KD gas-cooled

The factory standard gear is marked in red.



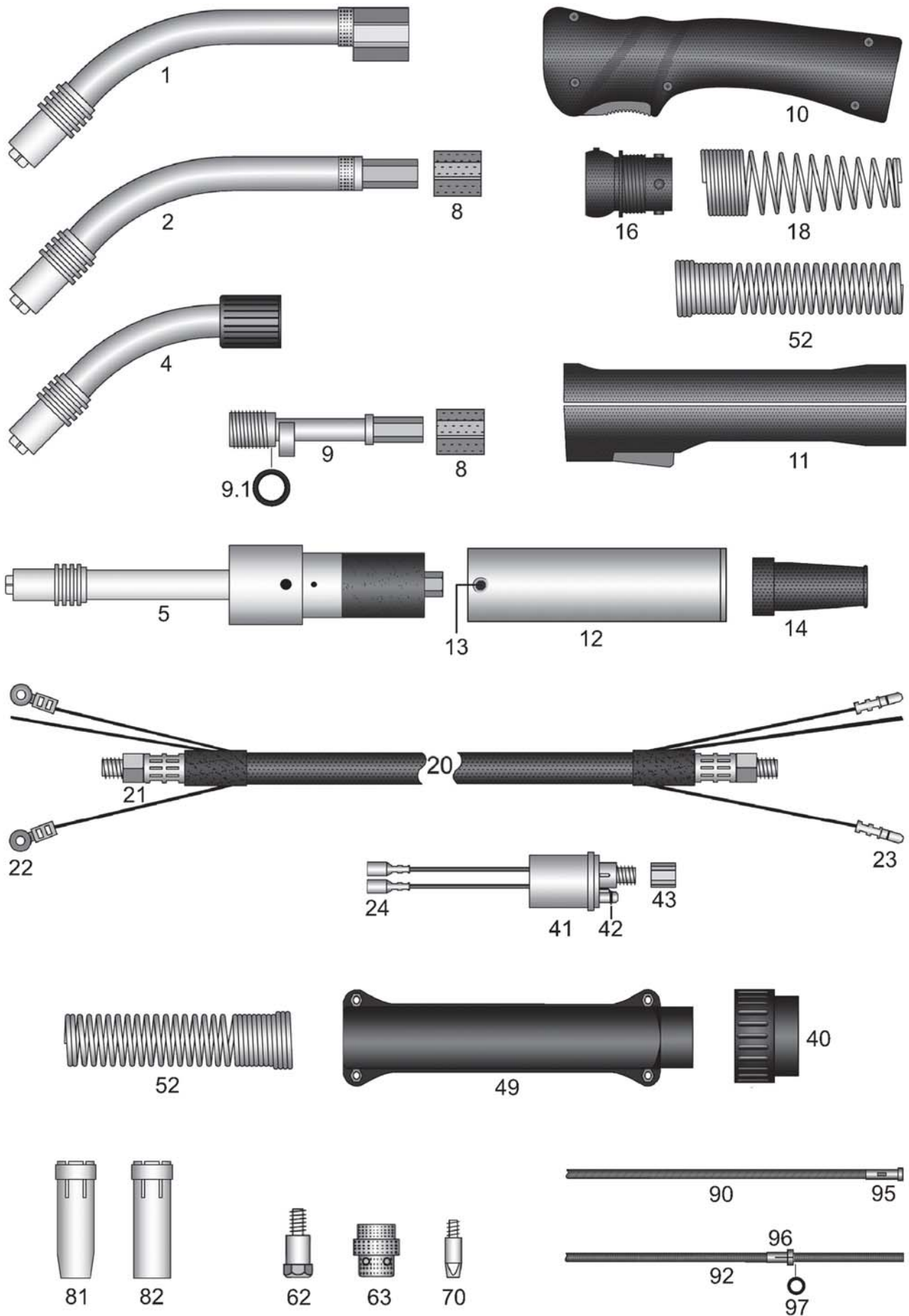
Holch Schweißbrenner GmbH
Bühlstraße 14
D-57080 Siegen

Phone: +49(0)271 387860-11
Telefax: +49(0)271 387860-29
E-Mail: info@holch-siegen.de
Web: www.holch-siegen.de



MHS 24-KD gas-cooled

250 Ampere at 60% duty cycle (CO₂) - 220 Ampere at 60% duty cycle (mixed gas)



HSN 118

Welding-torch MIG-MAG gas-cooled

250A at 60% duty cycle (CO₂) - 220A at 60% duty cycle (mixed gas)**Art.-No.****Spare parts as torch MHS 240-18-D water-cooled**

| | |
|----------|---------------------------------------------------------------------------------------------------------------------|
| 24200311 | Torch MHS 24-KD-SPEZIAL / 3m EURO central adapter 35mm ² inner Torch body with cooling-duct section tube |
| 24200411 | Torch MHS 24-KD-SPEZIAL / 4m EURO central adapter 35mm ² inner Torch body with cooling-duct section tube |
| 24200511 | Torch MHS 24-KD-SPEZIAL / 5m EURO central adapter 35mm ² inner Torch body with cooling-duct section tube |

| | |
|----------|-------------------------------------------------------------|
| 24200312 | Torch MHS 24-KD / 3m EURO central adapter 35mm ² |
| 24200412 | Torch MHS 24-KD / 4m EURO central adapter 35mm ² |
| 24200512 | Torch MHS 24-KD / 5m EURO central adapter 35mm ² |

| | |
|----------|----------------------------------------------------------------|
| 24210311 | DR Torch MHS 24-KD / 3m EURO central adapter 35mm ² |
| 24210411 | DR Torch MHS 24-KD / 4m EURO central adapter 35mm ² |
| 24210511 | DR Torch MHS 24-KD / 5m EURO central adapter 35mm ² |

| | |
|----------|-------------------------------------------------------------------------------|
| 24250311 | AUTomatic-torch MHS 24-KD-SPEZIAL / 3m EURO central adapter 35mm ² |
| 24215311 | DR AUTomatic-torch MHS-24-KD / 3m EURO central adapter 35mm ² |

**For torches without EURO central-adaptor the following prices apply.
Please note that for some special machine side connections surcharges may arise,
which you will find in the appendix "A" custom made products.**

| | |
|----------|------------------------------------------------------------------------------------------------|
| 24200301 | Torch MHS 24-KD-SPEZIAL / 3m 35mm ² inner Torch body with cooling-duct section tube |
| 24200401 | Torch MHS 24-KD-SPEZIAL / 4m 35mm ² inner Torch body with cooling-duct section tube |
| 24200501 | Torch MHS 24-KD-SPEZIAL / 5m 35mm ² inner Torch body with cooling-duct section tube |

| | |
|----------|----------------------------------------|
| 24200302 | Torch MHS 24-KD / 3m 35mm ² |
| 24200402 | Torch MHS 24-KD / 4m 35mm ² |
| 24200502 | Torch MHS 24-KD / 5m 35mm ² |

| | |
|----------|-------------------------------------------|
| 24210301 | DR Torch MHS 24-KD / 3m 35mm ² |
| 24210401 | DR Torch MHS 24-KD / 4m 35mm ² |
| 24210501 | DR Torch MHS 24-KD / 5m 35mm ² |

| | |
|----------|----------------------------------------------------------|
| 24250301 | AUTomatic-torch MHS 24-KD-SPEZIAL / 3m 35mm ² |
| 24215301 | DR AUTomatic-torch MHS-24-KD / 3m 35mm ² |

Special lengths for hand- and AUTomatic-torches please notice appendix "B".

| | |
|---------------|-----------------------------------------------------------|
| pg000001 | Surcharge: Pistol-shape-handle / stabilizer |
| N.i. 91912453 | Heat protection shield for pistol handle, screws included |
| 29004602 | Surcharge: Torch body with custom bending |

All torch bodies and AUTomatic torch bodies with teflon insulation, nickel coated brazen outer tube with cooling ribs, complete with contact tip holder and teflon insulator.

| | | |
|------|----------|----------------------------------------------------------------|
| 1 | 24291001 | Swan neck 24-KD-SPEZIAL |
| 2 | 24291002 | Swan neck 24-KD |
| N.i. | 30405001 | Surcharge: with brazen inner tube ID3-AD4mm for aluminium wire |
| 4 | 24219101 | DR Swan neck MHS 24-KD |
| 5 | 24291501 | AUTomatic-torch body 24-KD-SPEZIAL |
| 8 | 15912301 | Polyamid-torch body |
| 9 | 15912602 | DR Torch body brass fits ratio handle |

Welding-torch MIG-MAG gas-cooled

250A at 60% duty cycle (CO₂) - 220A at 60% duty cycle (mixed gas)

| Art.-No. | | |
|-----------------------------------------------------------------------------------------------------------------------------------------|----------|--------------------------------------------------------------------------|
| 9 | 15912601 | DR Torch body brass fits industry-handle |
| N.i. | 15912651 | Auxiliary torch body fits coaxial cable |
| 9.1 | 91903604 | O-ring ID19-W2,4mm |
| Handles, complete with switch, screws and ball joint! Handles with hole-20mm are for swivel neck torches (DR torches). | | |
| 10 | 91912534 | Ratio-handle 16mm with ball joint |
| 10 | 91912536 | Ratio-handle 20mm with ball joint |
| 10 | 91912434 | Ratio-handle 16mm standard (without ball joint) |
| 10 | 91912436 | Ratio-handle 20mm standard (without ball joint) |
| N.i. | 91912438 | Ratio microswitch DC2 also fits RAUCH handle |
| N.i. | 91912439 | Push button red for Ratio handle also fits RAUCH handle |
| N.i. | 91912441 | Ratio spring fits button Ratio grip handle |
| 11 | 91912101 | Industry-handle 16mm with ball joint |
| 11 | 91912103 | Industry-handle 20mm with ball joint |
| 11 | 91912231 | Industry-handle 16mm standard (without ball joint) |
| 11 | 91912431 | Industry-handle 20mm standard (without ball joint) |
| N.i. | 91920411 | Switch-set fits industry-handle for 16/18/20mm (11 parts) |
| N.i. | 91920702 | Screw M3x11,5mm fits Ratio/Industry/RAUCH handle and cable support |
| N.i. | 91920703 | M3 mounting socket fits Ratio/Industry/RAUCH handle and cable support |
| 12 | 91912901 | AUT handle tube, brass-cladded AD38mm for AUT-torch rubber cable support |
| 13 | 91912911 | Holding screw M4x6mm fits AUT handle tube |
| 14 | 15912801 | Rubber cable-support small for coaxial-cable |
| 16 | 91912704 | Spring socket pistol side fits handle with ball joint |
| 18 | 91912503 | Cable support spring handle-side for torches with ball joint |
| 20 | 25920311 | Coaxial-cable 35mm ² / 3m fits EURO central adapter |
| 20 | 25920411 | Coaxial-cable 35mm ² / 4m fits EURO central adapter |
| 20 | 25920511 | Coaxial-cable 35mm ² / 5m fits EURO central adapter |
| 21 | 15912211 | Lock-nut M10x1-L9,5mm for coaxial-cable |
| 22 | 91902811 | Cable-plug fits industry-handle |
| 23 | 91902901 | Male connector cable-plug for machine side EURO central adapter |
| 24 | 91903001 | Female connector cable-plug fits machine side EURO central adapter |
| 40 | 91900701 | Terminal nut insulated fits EURO central adapter |
| 41 | 91900101 | Central adapter fixed contact-pins EURO central adapter |
| 41 | 91900106 | Central adapter spring contact-pins EURO central adapter |
| 42 | 91900801 | O-ring ID4-W1mm fits gas-nipple EURO central adapter |
| 43 | 91900901 | Coupling nut IT-M10x1 (rounded edges) fits EURO central adapter |
| 49 | 91900561 | Cable support machine side (screws included) EURO central adapter |
| N.i. | 91920702 | Screw M3x11,5mm fits Ratio/Industry/RAUCH handle and cable support |
| N.i. | 91920703 | M3 mounting socket fits Ratio/Industry/RAUCH handle and cable support |
| N.i. | 91900601 | Attachment screw M4x6mm fits cable support EURO central adapter |
| 52 | 91912502 | Cable support spring fits handles without ball joint and for EURO |
| 62 | 24980001 | Contact tip holder IT-M6 SW10-L26mm (stable break-resistant version) |
| 63 | 24912001 | Gas diffusor Keripol white |
| 63 | 24912004 | HT-gasdiffusor black power |
| 63 | 24912003 | Ceramic-gasdiffusor |

Welding-torch MIG-MAG gas-cooled

250A at 60% duty cycle (CO₂) - 220A at 60% duty cycle (mixed gas)

| Art.-No. | | |
|---------------------------------------------------------------------|----------|-------------------------------------------------------------------|
| 70 | 62808001 | Contact tip M6-L28-AD8 0,8 |
| 70 | 62810001 | Contact tip M6-L28-AD8 1,0 |
| 70 | 62812001 | Contact tip M6-L28-AD8 1,2 |
| 70 | 62814001 | Contact tip M6-L28-AD8 1,4 |
| 70 | 62808401 | Contact tip M6-L28-AD8 CuCrZr 0,8 |
| 70 | 62810401 | Contact tip M6-L28-AD8 CuCrZr 1,0 |
| 70 | 62812401 | Contact tip M6-L28-AD8 CuCrZr 1,2 |
| 70 | 62808301 | Contact tip M6-L28-AD8 0,8 nickel-plated |
| 70 | 62810301 | Contact tip M6-L28-AD8 1,0 nickel-plated |
| 70 | 62812301 | Contact tip M6-L28-AD8 1,2 nickel-plated |
| 70 | 62814301 | Contact tip M6-L28-AD8 1,4 nickel-plated |
| 70 | 62808a01 | Contact tip M6-L28-D8 0,8-A for aluminium wire |
| 70 | 62810a01 | Contact tip M6-L28-D8 1,0-A for aluminium wire |
| 70 | 62812a01 | Contact tip M6-L28-D8 1,2-A for aluminium wire |
| 81 | 24930001 | Gas nozzle conical-ID12,5mm |
| 82 | 24930301 | Gas nozzle cylindric-ID17mm |
| Spirals and liners also available in other sizes on inquiry! | | |
| 90 | 15451311 | Guide spiral-line blue ID1,5-AD4,5 fits 3m / EURO central adapter |
| 90 | 15451411 | Guide spiral-line blue ID1,5-AD4,5 fits 4m / EURO central adapter |
| 90 | 15451511 | Guide spiral-line blue ID1,5-AD4,5 fits 5m / EURO central adapter |
| 90 | 20451311 | Guide spiral-line red ID2,0-AD4,5 fits 3m / EURO central adapter |
| 90 | 20451411 | Guide spiral-line red ID2,0-AD4,5 fits 4m / EURO central adapter |
| 90 | 20451511 | Guide spiral-line red ID2,0-AD4,5 fits 5m / EURO central adapter |
| 92 | 20393311 | PTFE-carbon core liner ID2,0-AD3,9 fits 3m / EURO central adapter |
| 92 | 20393411 | PTFE-carbon core liner ID2,0-AD3,9 fits 4m / EURO central adapter |
| 92 | 20393511 | PTFE-carbon core liner ID2,0-AD3,9 fits 5m / EURO central adapter |
| 92 | 20406311 | PA-core liner black ID2,0-AD4,0 fits 3m / EURO central adapter |
| 92 | 20406411 | PA-core liner black ID2,0-AD4,0 fits 4m / EURO central adapter |
| 92 | 20406511 | PA-core liner black ID2,0-AD4,0 fits 5m / EURO central adapter |
| N.i. | 20405002 | Brass spiral liner blue L300mm IG fits AD3,9/4,0mm |
| 95 | 91905721 | Nipple fits spiral liner EURO central adapter AD 4,5mm |
| 96 | 91906111 | Nipple fits core liner EURO central adapter AD3,9/4,0mm |
| 97 | 91906131 | O-ring ID3,5-W1,5 fits core liners |
| N.i. | 91906112 | Support tube, brass ID4,4 - AD5,0 - L200mm |

Torch MHS 25-SPEZIAL gas-cooled

The factory standard gear (plugged gas nozzle) is marked in red.



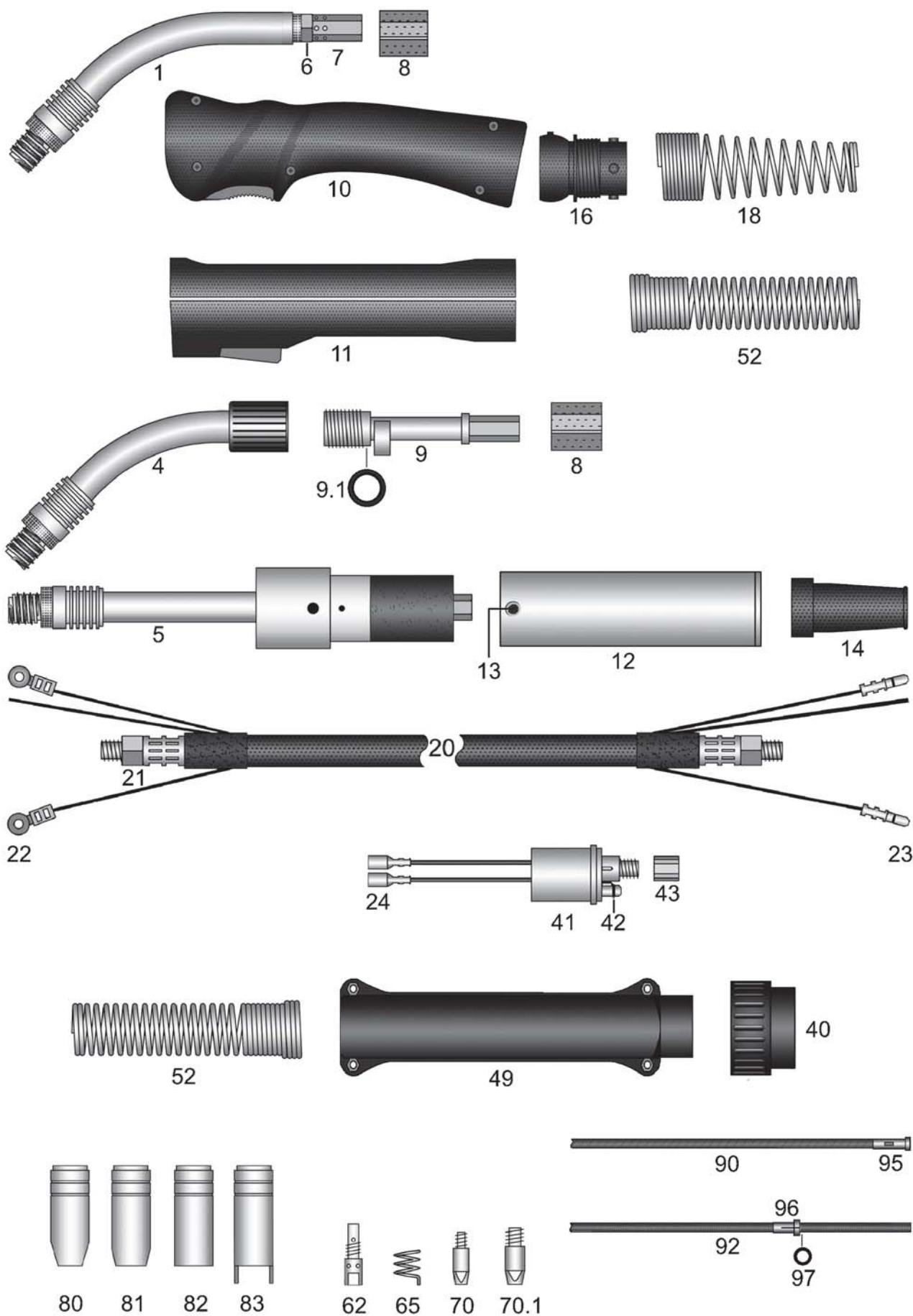
Holch Schweißbrenner GmbH
Bühlstraße 14
D-57080 Siegen

Phone: +49(0)271 387860-11
Telefax: +49(0)271 387860-29
E-Mail: info@holch-siegen.de
Web: www.holch-siegen.de



MHS 25 - SPEZIAL gas-cooled

230 Ampere at 60% duty cycle (CO₂) - 200 Ampere at 60% duty cycle (mixed gas)



HSN 119-1

Welding-torch MIG-MAG gas-cooled

230A at 60% duty cycle (CO₂) - 200A at 60% duty cycle (mixed gas)**Art.-No.****Spare parts as torch MHS 352-S water-cooled**

| | |
|----------|---------------------------------------------------------------------------------------------|
| 25000311 | Torch MHS 25-SPEZIAL / 3m EURO central adapter 25mm ² plugged |
| 25000411 | Torch MHS 25-SPEZIAL / 4m EURO central adapter 25mm ² plugged |
| 25000511 | Torch MHS 25-SPEZIAL / 5m EURO central adapter 25mm ² plugged |
| 25100311 | DR Torch MHS 25-SPEZIAL / 3m EURO central adapter 25mm ² plugged |
| 25100411 | DR Torch MHS 25-SPEZIAL / 4m EURO central adapter 25mm ² plugged |
| 25100511 | DR Torch MHS 25-SPEZIAL / 5m EURO central adapter 25mm ² plugged |
| 25050311 | AUTomatic-torch MHS 25-SPEZIAL / 3m EURO central adapter 25mm ² plugged |
| 25150311 | DR AUTomatic-torch MHS 25-SPEZIAL / 3m EURO central adapter 25mm ² plugged |
| 25000313 | Torch MHS 25-SPEZIAL / 3m EURO central adapter 25mm ² screwable M14 |
| 25000413 | Torch MHS 25-SPEZIAL / 4m EURO central adapter 25mm ² screwable M14 |
| 25000513 | Torch MHS 25-SPEZIAL / 5m EURO central adapter 25mm ² screwable M14 |
| 25100313 | DR Torch MHS 25-SPEZIAL / 3m EURO central adapter 25mm ² screwable M14 |
| 25100413 | DR Torch MHS 25-SPEZIAL / 4m EURO central adapter 25mm ² screwable M14 |
| 25100513 | DR Torch MHS 25-SPEZIAL / 5m EURO central adapter 25mm ² screwable M14 |
| 25050312 | AUTomatic-torch MHS 25-SPEZIAL / 3m EURO central adapter 25mm ² screwable M14 |
| 25150312 | DR AUTomatic-torch MHS 25-SPEZIAL / 3m EURO central adapter 25mm ² screwable M14 |

For torches without EURO central-adaptor the following prices apply.

Please note that for some special machine side connections surcharges may arise, which you will find in the appendix "A" custom made products.

| | |
|----------|------------------------------------------------------------------------|
| 25000301 | Torch MHS 25-SPEZIAL / 3m 25mm ² plugged |
| 25000401 | Torch MHS 25-SPEZIAL / 4m 25mm ² plugged |
| 25000501 | Torch MHS 25-SPEZIAL / 5m 25mm ² plugged |
| 25100301 | DR Torch MHS 25-SPEZIAL / 3m 25mm ² plugged |
| 25100401 | DR Torch MHS 25-SPEZIAL / 4m 25mm ² plugged |
| 25100501 | DR Torch MHS 25-SPEZIAL / 5m 25mm ² plugged |
| 25050301 | AUTomatic-torch MHS 25-SPEZIAL / 3m 25mm ² plugged |
| 25150301 | DR AUTomatic-torch MHS 25-SPEZIAL / 3m 25mm ² plugged |
| 25000302 | Torch MHS 25-SPEZIAL / 3m 25mm ² screwable M14 |
| 25000402 | Torch MHS 25-SPEZIAL / 4m 25mm ² screwable M14 |
| 25000502 | Torch MHS 25-SPEZIAL / 5m 25mm ² screwable M14 |
| 25100302 | DR Torch MHS 25-SPEZIAL / 3m 25mm ² screwable M14 |
| 25100402 | DR Torch MHS 25-SPEZIAL / 4m 25mm ² screwable M14 |
| 25100502 | DR Torch MHS 25-SPEZIAL / 5m 25mm ² screwable M14 |
| 25050302 | AUTomatic-torch MHS 25-SPEZIAL / 3m 25mm ² screwable M14 |
| 25150302 | DR AUTomatic-torch MHS 25-SPEZIAL / 3m 25mm ² screwable M14 |

Special lengths for hand- and AUTomatic-torches please notice appendix "B".

| | |
|---------------|-----------------------------------------------------------|
| pg000001 | Surcharge: Pistol-shape-handle / stabilizer |
| N.i. 91912453 | Heat protection shield for pistol handle, screws included |

Welding-torch MIG-MAG gas-cooled

230A at 60% duty cycle (CO₂) - 200A at 60% duty cycle (mixed gas)

| Art.-No. | | |
|--------------------------------------------------------------------------------------------------------------------------------------------|-------------------------------------------|--------------------------------------------------------------------------|
| 29004602 | Surcharge: Torch body with custom bending | |
| All torch bodies and AUTomatic torch bodies with teflon insulation, nickel coated brazen outer tube and very massive power conduit. | | |
| 1 | 25091001 | Swan neck plugged |
| N.i. | 30405001 | Surcharge: with brazen inner tube ID3-AD4mm for aluminium wire |
| 4 | 25191001 | DR Swan neck MHS 25 plugged |
| 5 | 25091501 | AUTomatic-torch body plugged |
| N.i. | 25091004 | Swan neck screwable M14 |
| N.i. | 25191002 | DR Swan neck MHS 25 screwable M14 |
| N.i. | 25091502 | AUTomatic-torch body screwable M14 |
| 6 | 15912201 | Lock-nut M10x1-L6mm for Swan neck |
| 7 | 15912401 | Torch body brass SW12-L26mm |
| 8 | 15912301 | Polyamid-torch body |
| 9 | 15912602 | DR Torch body brass fits ratio handle |
| 9 | 15912601 | DR Torch body brass fits industry-handle |
| N.i. | 15912651 | Auxiliary torch body fits coaxial cable |
| 9.1 | 91903604 | O-ring ID19-W2,4mm |
| Handles, complete with switch, screws and ball joint! | | |
| Handles with hole-20mm are for swivel neck torches (DR torches). | | |
| 10 | 91912534 | Ratio-handle 16mm with ball joint |
| 10 | 91912536 | Ratio-handle 20mm with ball joint |
| 10 | 91912434 | Ratio-handle 16mm standard (without ball joint) |
| 10 | 91912436 | Ratio-handle 20mm standard (without ball joint) |
| N.i. | 91912438 | Ratio microswitch DC2 also fits RAUCH handle |
| N.i. | 91912439 | Push button red for Ratio handle also fits RAUCH handle |
| N.i. | 91912441 | Ratio spring fits button Ratio grip handle |
| 11 | 91912101 | Industry-handle 16mm with ball joint |
| 11 | 91912103 | Industry-handle 20mm with ball joint |
| 11 | 91912231 | Industry-handle 16mm standard (without ball joint) |
| 11 | 91912431 | Industry-handle 20mm standard (without ball joint) |
| N.i. | 91920411 | Switch-set fits industry-handle for 16/18/20mm (11 parts) |
| N.i. | 91920702 | Screw M3x11,5mm fits Ratio/Industry/RAUCH handle and cable support |
| N.i. | 91920703 | M3 mounting socket fits Ratio/Industry/RAUCH handle and cable support |
| 12 | 91912901 | AUT handle tube, brass-cladded AD38mm for AUT-torch rubber cable support |
| 13 | 91912911 | Holding screw M4x6mm fits AUT handle tube |
| 14 | 15912801 | Rubber cable-support small for coaxial-cable |
| 16 | 91912704 | Spring socket pistol side fits handle with ball joint |
| 18 | 91912503 | Cable support spring handle-side for torches with ball joint |
| 20 | 15920311 | Coaxial-cable 25mm ² / 3m fits EURO central adapter |
| 20 | 15920411 | Coaxial-cable 25mm ² / 4m fits EURO central adapter |
| 20 | 15920511 | Coaxial-cable 25mm ² / 5m fits EURO central adapter |
| 21 | 15912211 | Lock-nut M10x1-L9,5mm for coaxial-cable |
| 22 | 91902811 | Cable-plug fits industry-handle |
| 23 | 91902901 | Male connector cable-plug for machine side EURO central adapter |

Welding-torch MIG-MAG gas-cooled

230A at 60% duty cycle (CO₂) - 200A at 60% duty cycle (mixed gas)

| Art.-No. | | |
|----------|----------|-----------------------------------------------------------------------|
| 24 | 91903001 | Female connector cable-plug fits machine side EURO central adapter |
| 40 | 91900701 | Terminal nut insulated fits EURO central adapter |
| 41 | 91900101 | Central adapter fixed contact-pins EURO central adapter |
| 41 | 91900106 | Central adapter spring contact-pins EURO central adapter |
| 42 | 91900801 | O-ring ID4-W1mm fits gas-nipple EURO central adapter |
| 43 | 91900901 | Coupling nut IT-M10x1 (rounded edges) fits EURO central adapter |
| 49 | 91900561 | Cable support machine side (screws included) EURO central adapter |
| N.i. | 91920702 | Screw M3x11,5mm fits Ratio/Industry/RAUCH handle and cable support |
| N.i. | 91920703 | M3 mounting socket fits Ratio/Industry/RAUCH handle and cable support |
| N.i. | 91900601 | Attachment screw M4x6mm fits cable support EURO central adapter |
| 52 | 91912502 | Cable support spring fits handles without ball joint and for EURO |
| 62 | 25980001 | Contact tip holder IT-M6-D10-L35mm |
| 62 | 25981001 | Contact tip holder IT-M8-SW10-L35mm |
| 65 | 25912001 | Nozzle spring for gas nozzle |
| 70 | 62808001 | Contact tip M6-L28-AD8 0,8 |
| 70 | 62810001 | Contact tip M6-L28-AD8 1,0 |
| 70 | 62812001 | Contact tip M6-L28-AD8 1,2 |
| 70 | 62808401 | Contact tip M6-L28-AD8 CuCrZr 0,8 |
| 70 | 62810401 | Contact tip M6-L28-AD8 CuCrZr 1,0 |
| 70 | 62812401 | Contact tip M6-L28-AD8 CuCrZr 1,2 |
| 70 | 62808301 | Contact tip M6-L28-AD8 0,8 nickel-plated |
| 70 | 62810301 | Contact tip M6-L28-AD8 1,0 nickel-plated |
| 70 | 62812301 | Contact tip M6-L28-AD8 1,2 nickel-plated |
| 70 | 62808a01 | Contact tip M6-L28-D8 0,8-A for aluminium wire |
| 70 | 62810a01 | Contact tip M6-L28-D8 1,0-A for aluminium wire |
| 70 | 62812a01 | Contact tip M6-L28-D8 1,2-A for aluminium wire |
| 70.1 | 83008001 | Contact tip M8-L30-AD10 0,8 |
| 70.1 | 83010001 | Contact tip M8-L30-AD10 1,0 |
| 70.1 | 83012001 | Contact tip M8-L30-AD10 1,2 |
| 70.1 | 83010401 | Contact tip M8-L30-AD10 CuCrZr 1,0 |
| 70.1 | 83012401 | Contact tip M8-L30-AD10 CuCrZr 1,2 |
| 70.1 | 83008301 | Contact tip M8-L30-AD10 0,8 nickel-plated |
| 70.1 | 83010301 | Contact tip M8-L30-AD10 1,0 nickel-plated |
| 70.1 | 83012301 | Contact tip M8-L30-AD10 1,2 nickel-plated |
| 70.1 | 83008a01 | Contact tip M8-L30-D10 0,8-A for aluminium wire |
| 70.1 | 83010a01 | Contact tip M8-L30-D10 1,0-A for aluminium wire |
| 70.1 | 83012a01 | Contact tip M8-L30-D10 1,2-A for aluminium wire |
| 80 | 25930001 | Gas nozzle conical-ID12mm plugged |
| 80 | 25931001 | Gas nozzle conical-ID12mm screwable M14 |
| 81 | 25930101 | Gas nozzle conical-ID15mm plugged |
| 81 | 25930102 | Gas nozzle conical-ID15mm with insulating plugged |
| 81 | 25931101 | Gas nozzle conical-ID15mm screwable M14 |
| 81 | 25931102 | Gas nozzle conical-ID15mm with insulating screwable M14 |

Welding-torch MIG-MAG gas-cooled

230A at 60% duty cycle (CO₂) - 200A at 60% duty cycle (mixed gas)

| Art.-No. | | |
|---------------------------------------------------------------------|----------|-------------------------------------------------------------------|
| 82 | 25930301 | Gas nozzle cylindric-ID18mm plugged |
| 82 | 25930302 | Gas nozzle cylindric-ID18mm with insulating plugged |
| 82 | 25931301 | Gas nozzle cylindric-ID18mm screwable M14 |
| 82 | 25931302 | Gas nozzle cylindric-ID18mm with insulating screwable M14 |
| | | |
| 83 | 25930501 | Spotweld gas nozzle plugged |
| 83 | 25931501 | Spotweld gas nozzle screwable M14 |
| Spirals and liners also available in other sizes on inquiry! | | |
| 90 | 15451311 | Guide spiral-line blue ID1,5-AD4,5 fits 3m / EURO central adapter |
| 90 | 15451411 | Guide spiral-line blue ID1,5-AD4,5 fits 4m / EURO central adapter |
| 90 | 15451511 | Guide spiral-line blue ID1,5-AD4,5 fits 5m / EURO central adapter |
| | | |
| 90 | 20451311 | Guide spiral-line red ID2,0-AD4,5 fits 3m / EURO central adapter |
| 90 | 20451411 | Guide spiral-line red ID2,0-AD4,5 fits 4m / EURO central adapter |
| 90 | 20451511 | Guide spiral-line red ID2,0-AD4,5 fits 5m / EURO central adapter |
| | | |
| 92 | 20393311 | PTFE-carbon core liner ID2,0-AD3,9 fits 3m / EURO central adapter |
| 92 | 20393411 | PTFE-carbon core liner ID2,0-AD3,9 fits 4m / EURO central adapter |
| 92 | 20393511 | PTFE-carbon core liner ID2,0-AD3,9 fits 5m / EURO central adapter |
| | | |
| 92 | 20406311 | PA-core liner black ID2,0-AD4,0 fits 3m / EURO central adapter |
| 92 | 20406411 | PA-core liner black ID2,0-AD4,0 fits 4m / EURO central adapter |
| 92 | 20406511 | PA-core liner black ID2,0-AD4,0 fits 5m / EURO central adapter |
| | | |
| N.i. | 20405002 | Brass spiral liner blue L300mm IG fits AD3,9/4,0mm |
| 95 | 91905721 | Nipple fits spiral liner EURO central adapter AD 4,5mm |
| 96 | 91906111 | Nipple fits core liner EURO central adapter AD3,9/4,0mm |
| 97 | 91906131 | O-ring ID3,5-W1,5 fits core liners |
| | | |
| N.i. | 91906112 | Support tube, brass ID4,4 - AD5,0 - L200mm |

Torch MHS 25-AD-SUPER gas-cooled

The factory standard gear is marked in red.



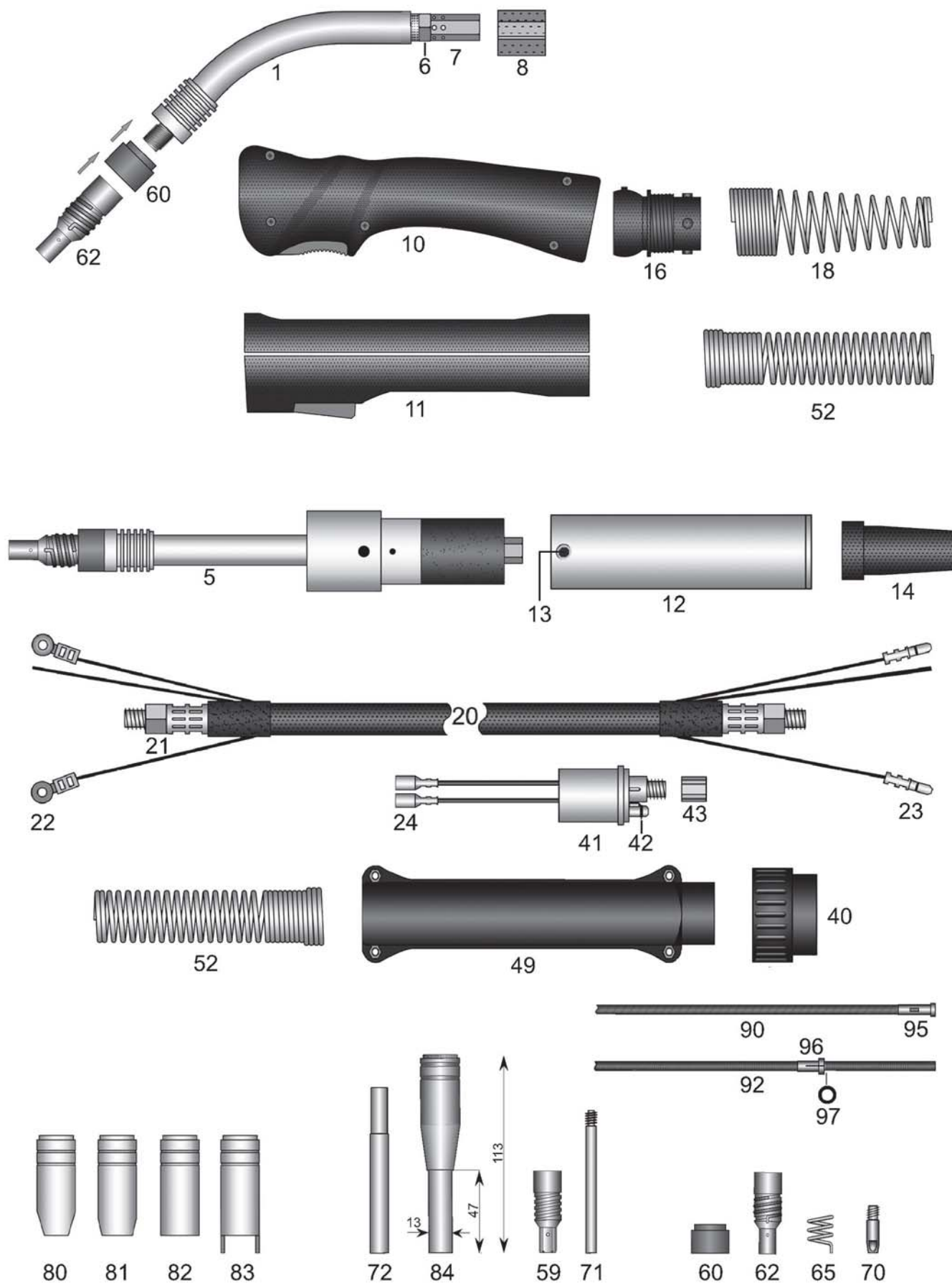
Holch Schweißbrenner GmbH
Bühlstraße 14
D-57080 Siegen

Phone: +49(0)271 387860-11
Telefax: +49(0)271 387860-29
E-Mail: info@holch-siegen.de
Web: www.holch-siegen.de



MHS 25-AD-SUPER gas-cooled

260 Ampere at 60% duty cycle (CO₂) - 230 Ampere at 60% duty cycle (mixed gas)



HSN 119A-1

Welding-torch MIG-MAG gas-cooled

260A at 60% duty cycle (CO₂) - 230A at 60% duty cycle (mixed gas)

| Art.-No. | |
|-------------------------------------------------------------------------------------------------------------------------------------------------------------------------------------------------------------------------------------------|-----------------------------------------------------------------------------------|
| 25300311 | Torch MHS 25-AD-SUPER / 3m EURO central adapter plugged |
| 25300411 | Torch MHS 25-AD-SUPER / 4m EURO central adapter plugged |
| 25300511 | Torch MHS 25-AD-SUPER / 5m EURO central adapter plugged |
| 25350311 | AUTomatic-torch MHS 25-AD-SUPER / 3m EURO central adapter plugged |
| For torches without EURO central-adaptor the following prices apply. Please note that for some special machine side connections surcharges may arise, which you will find in the appendix "A" custom made products. | |
| 25300301 | Torch MHS 25-AD-SUPER / 3m plugged |
| 25300401 | Torch MHS 25-AD-SUPER / 4m plugged |
| 25300501 | Torch MHS 25-AD-SUPER / 5m plugged |
| 25350301 | AUTomatic-torch MHS 25-AD-SUPER / 3m plugged |
| Special lengths for hand- and AUTomatic-torches please notice appendix "B". | |
| pg000001 | Surcharge: Pistol-shape-handle / stabilizer |
| N.i. 91912453 | Heat protection shield for pistol handle, screws included |
| 29004602 | Surcharge: Torch body with custom bending |
| Torch body and AUTomatic torch body with teflon insulation, nickel coated brazen outer tube with cooling ribs, very massive power conduit, complete with changable contact tip holder and laminated fabric tension sleeve. | |
| 1 | 25391001 Swan neck plugged |
| N.i. 30405001 | Surcharge: with brazen inner tube ID3-AD4mm for aluminium wire |
| 5 | 25391501 AUTomatic-torch body plugged |
| 6 | 15912201 Lock-nut M10x1-L6mm for Swan neck |
| 7 | 15912401 Torch body brass SW12-L26mm |
| 8 | 15912301 Polyamid-torch body |
| Handles complete with switch, screws and ball joint | |
| 10 | 91912534 Ratio-handle 16mm with ball joint |
| 10 | 91912434 Ratio-handle 16mm standard (without ball joint) |
| N.i. 91912438 | Ratio microswitch DC2 also fits RAUCH handle |
| N.i. 91912439 | Push button red for Ratio handle also fits RAUCH handle |
| N.i. 91912441 | Ratio spring fits button Ratio grip handle |
| 11 | 91912101 Industry-handle 16mm with ball joint |
| 11 | 91912231 Industry-handle 16mm standard (without ball joint) |
| N.i. 91920411 | Switch-set fits industry-handle for 16/18/20mm (11 parts) |
| N.i. 91920702 | Screw M3x11,5mm fits Ratio/Industry/RAUCH handle and cable support |
| N.i. 91920703 | M3 mounting socket fits Ratio/Industry/RAUCH handle and cable support |
| 12 | 91912901 AUT handle tube, brass-cladded AD38mm for AUT-torch rubber cable support |
| 13 | 91912911 Holding screw M4x6mm fits AUT handle tube |
| 14 | 15912801 Rubber cable-support small for coaxial-cable |
| 16 | 91912704 Spring socket pistol side fits handle with ball joint |
| 18 | 91912503 Cable support spring handle-side for torches with ball joint |
| 20 | 25920311 Coaxial-cable 35mm ² / 3m fits EURO central adapter |
| 20 | 25920411 Coaxial-cable 35mm ² / 4m fits EURO central adapter |
| 20 | 25920511 Coaxial-cable 35mm ² / 5m fits EURO central adapter |

Welding-torch MIG-MAG gas-cooled

260A at 60% duty cycle (CO₂) - 230A at 60% duty cycle (mixed gas)

| Art.-No. | | |
|---------------------------------------------------------------------|----------|---------------------------------------------------------------------------------|
| 21 | 15912211 | Lock-nut M10x1-L9,5mm for coaxial-cable |
| 22 | 91902811 | Cable-plug fits industry-handle |
| 23 | 91902901 | Male connector cable-plug for machine side EURO central adapter |
| 24 | 91903001 | Female connector cable-plug fits machine side EURO central adapter |
| 40 | 91900701 | Terminal nut insulated fits EURO central adapter |
| 41 | 91900101 | Central adapter fixed contact-pins EURO central adapter |
| 41 | 91900106 | Central adapter spring contact-pins EURO central adapter |
| 42 | 91900801 | O-ring ID4-W1mm fits gas-nipple EURO central adapter |
| 43 | 91900901 | Coupling nut IT-M10x1 (rounded edges) fits EURO central adapter |
| 49 | 91900561 | Cable support machine side (screws included) EURO central adapter |
| N.i. | 91920702 | Screw M3x11,5mm fits Ratio/Industry/RAUCH handle and cable support |
| N.i. | 91920703 | M3 mounting socket fits Ratio/Industry/RAUCH handle and cable support |
| N.i. | 91900601 | Attachment screw M4x6mm fits cable support EURO central adapter |
| 52 | 91912502 | Cable support spring fits handles without ball joint and for EURO |
| 59 | 25398101 | Contact-tip/nozzle holder MHS 25-AD-SUPER with acme screw thread for narrow-gap |
| 60 | 25291201 | Laminated fabric-tension-insulator MHS 25-AD-SUPER |
| 62 | 25398001 | Contact-tip/nozzle holder MHS 25-AD-SUPER IT-M12x1 |
| 65 | 25912001 | Nozzle spring for gas nozzle |
| 70 | 62808001 | Contact tip M6-L28-AD8 0,8 |
| 70 | 62810001 | Contact tip M6-L28-AD8 1,0 |
| 70 | 62812001 | Contact tip M6-L28-AD8 1,2 |
| 70 | 62808401 | Contact tip M6-L28-AD8 CuCrZr 0,8 |
| 70 | 62810401 | Contact tip M6-L28-AD8 CuCrZr 1,0 |
| 70 | 62812401 | Contact tip M6-L28-AD8 CuCrZr 1,2 |
| 70 | 62808301 | Contact tip M6-L28-AD8 0,8 nickel-plated |
| 70 | 62810301 | Contact tip M6-L28-AD8 1,0 nickel-plated |
| 70 | 62812301 | Contact tip M6-L28-AD8 1,2 nickel-plated |
| 70 | 62808a01 | Contact tip M6-L28-D8 0,8-A for aluminium wire |
| 70 | 62810a01 | Contact tip M6-L28-D8 1,0-A for aluminium wire |
| 70 | 62812a01 | Contact tip M6-L28-D8 1,2-A for aluminium wire |
| 71 | 68310101 | Narrow-gap contact tip M6-L83-AD6 0,8-1,0 nickel-plated |
| 71 | 68312101 | Narrow-gap contact tip M6-L83-AD6 1,2 nickel-plated |
| 72 | 91921801 | Centering wrench for Narrow-gap contact tip M6-L83-D6 |
| 80 | 25930001 | Gas nozzle conical-ID12mm plugged |
| 81 | 25930101 | Gas nozzle conical-ID15mm plugged |
| 81 | 25930102 | Gas nozzle conical-ID15mm with insulating plugged |
| 82 | 25930301 | Gas nozzle cylindric-ID18mm plugged |
| 82 | 25930302 | Gas nozzle cylindric-ID18mm with insulating plugged |
| 83 | 25930501 | Spotweld gas nozzle plugged |
| 84 | 25930451 | Narrow-gap gas nozzle AD13-L47 with acme screw thread |
| Spirals and liners also available in other sizes on inquiry! | | |
| 90 | 15451311 | Guide spiral-line blue ID1,5-AD4,5 fits 3m / EURO central adapter |
| 90 | 15451411 | Guide spiral-line blue ID1,5-AD4,5 fits 4m / EURO central adapter |
| 90 | 15451511 | Guide spiral-line blue ID1,5-AD4,5 fits 5m / EURO central adapter |

Welding-torch MIG-MAG gas-cooled

260A at 60% duty cycle (CO2) - 230A at 60% duty cycle (mixed gas)

| Art.-No. | | |
|----------|----------|-------------------------------------------------------------------|
| 90 | 20451311 | Guide spiral-line red ID2,0-AD4,5 fits 3m / EURO central adapter |
| 90 | 20451411 | Guide spiral-line red ID2,0-AD4,5 fits 4m / EURO central adapter |
| 90 | 20451511 | Guide spiral-line red ID2,0-AD4,5 fits 5m / EURO central adapter |
| | | |
| 92 | 20393311 | PTFE-carbon core liner ID2,0-AD3,9 fits 3m / EURO central adapter |
| 92 | 20393411 | PTFE-carbon core liner ID2,0-AD3,9 fits 4m / EURO central adapter |
| 92 | 20393511 | PTFE-carbon core liner ID2,0-AD3,9 fits 5m / EURO central adapter |
| | | |
| 92 | 20406311 | PA-core liner black ID2,0-AD4,0 fits 3m / EURO central adapter |
| 92 | 20406411 | PA-core liner black ID2,0-AD4,0 fits 4m / EURO central adapter |
| 92 | 20406511 | PA-core liner black ID2,0-AD4,0 fits 5m / EURO central adapter |
| | | |
| N.i. | 20405002 | Brass spiral liner blue L300mm IG fits AD3,9/4,0mm |
| 95 | 91905721 | Nipple fits spiral liner EURO central adapter AD 4,5mm |
| 96 | 91906111 | Nipple fits core liner EURO central adapter AD3,9/4,0mm |
| 97 | 91906131 | O-ring ID3,5-W1,5 fits core liners |
| | | |
| N.i. | 91906112 | Support tube, brass ID4,4 - AD5,0 - L200mm |

Torch MHS 32 gas-cooled

The factory standard gear is marked in red.



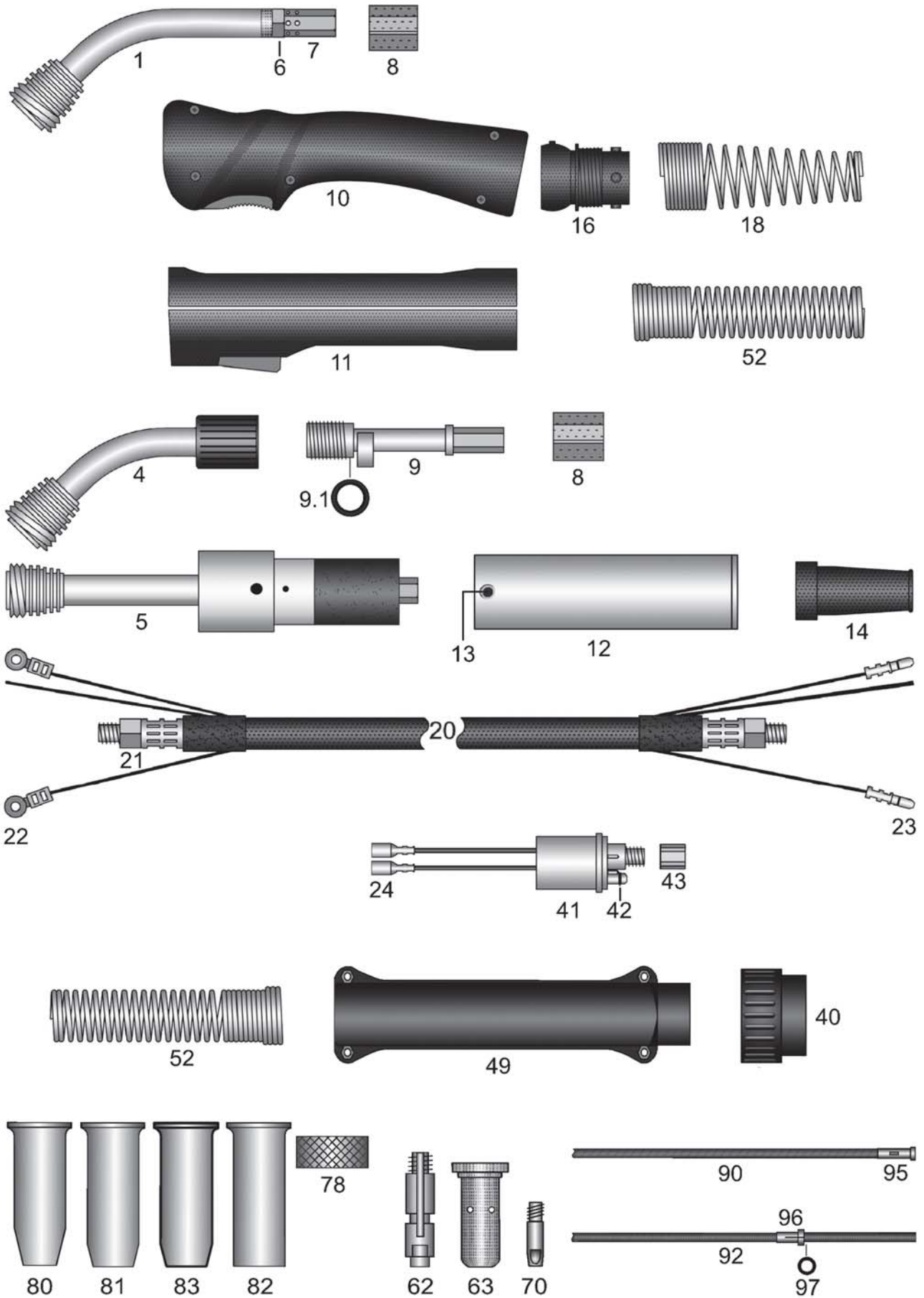
Holch Schweißbrenner GmbH
Bühlstraße 14
D-57080 Siegen

Phone: +49(0)271 387860-11
Telefax: +49(0)271 387860-29
E-Mail: info@holch-siegen.de
Web: www.holch-siegen.de



MHS 32 gas-cooled

280 Ampere at 60% duty cycle (CO₂) - 250 Ampere at 60% duty cycle (mixed gas)



HSN 120

Welding-torch MIG-MAG gas-cooled**280A at 60% duty cycle (CO₂) - 250A at 60% duty cycle (mixed gas)****Art.-No.****Spare parts as torch MHS 353-R/353-R-SUPER water-cooled**32000311 Torch MHS 32 / 3m EURO central adapter 35mm²32000411 Torch MHS 32 / 4m EURO central adapter 35mm²32000511 Torch MHS 32 / 5m EURO central adapter 35mm²32100311 DR Torch MHS 32 / 3m EURO central adapter 35mm²32100411 DR Torch MHS 32 / 4m EURO central adapter 35mm²32100511 DR Torch MHS 32 / 5m EURO central adapter 35mm²32050311 AUTomatic-torch MHS 32 / 3m EURO central adapter 35mm²32150311 DR AUTomatic-torch MHS 32 / 3m EURO central adapter 35mm²

**For torches without EURO central-adaptor the following prices apply.
Please note that for some special machine side connections surcharges may arise,
which you will find in the appendix "A" custom made products.**

32000301 Torch MHS 32 / 3m 35mm²32000401 Torch MHS 32 / 4m 35mm²32000501 Torch MHS 32 / 5m 35mm²32100301 DR Torch MHS 32 / 3m 35mm²32100401 DR Torch MHS 32 / 4m 35mm²32100501 DR Torch MHS 32 / 5m 35mm²32050301 AUTomatic-torch MHS 32 / 3m 35mm²32150301 DR AUTomatic-torch MHS 32 / 3m 35mm²**Special lengths for hand- and AUTomatic-torches please notice appendix "B".**

pg000001 Surcharge: Pistol-shape-handle / stabilizer

N.i. 91912453 Heat protection shield for pistol handle, screws included

29004602 Surcharge: Torch body with custom bending

All torch bodies and AUTomatic torch bodies with teflon insulation, nickel coated brazen outer tube with cooling ribs, very massive power conduit, complete with contact tip holder.

1 32091001 Swan neck

N.i. 30405001 Surcharge: with brazen inner tube ID3-AD4mm for aluminium wire

4 32191001 DR Swan neck MHS 32

5 32091501 AUTomatic-torch body

6 15912201 Lock-nut M10x1-L6mm for Swan neck

7 15912401 Torch body brass SW12-L26mm

8 15912301 Polyamid-torch body

9 15912602 DR Torch body brass fits ratio handle

9 15912601 DR Torch body brass fits industry-handle

N.i. 15912651 Auxiliary torch body fits coaxial cable

9.1 91903604 O-ring ID19-W2,4mm

**Handles, complete with switch, screws and ball joint!
Handles with hole-20mm are for swivel neck torches (DR torches).**

10 91912534 Ratio-handle 16mm with ball joint

10 91912536 Ratio-handle 20mm with ball joint

10 91912434 Ratio-handle 16mm standard (without ball joint)

Welding-torch MIG-MAG gas-cooled

280A at 60% duty cycle (CO₂) - 250A at 60% duty cycle (mixed gas)

| Art.-No. | | |
|----------|----------|--------------------------------------------------------------------------|
| 10 | 91912436 | Ratio-handle 20mm standard (without ball joint) |
| N.i. | 91912438 | Ratio microswitch DC2 also fits RAUCH handle |
| N.i. | 91912439 | Push button red for Ratio handle also fits RAUCH handle |
| N.i. | 91912441 | Ratio spring fits button Ratio grip handle |
| 11 | 91912101 | Industry-handle 16mm with ball joint |
| 11 | 91912103 | Industry-handle 20mm with ball joint |
| 11 | 91912231 | Industry-handle 16mm standard (without ball joint) |
| 11 | 91912431 | Industry-handle 20mm standard (without ball joint) |
| o.A | 91920411 | Switch-set fits industry-handle for 16/18/20mm (11 parts) |
| N.i. | 91920702 | Screw M3x11,5mm fits Ratio/Industry/RAUCH handle and cable support |
| N.i. | 91920703 | M3 mounting socket fits Ratio/Industry/RAUCH handle and cable support |
| 12 | 91912901 | AUT handle tube, brass-cladded AD38mm for AUT-torch rubber cable support |
| 13 | 91912911 | Holding screw M4x6mm fits AUT handle tube |
| 14 | 15912801 | Rubber cable-support small for coaxial-cable |
| 16 | 91912704 | Spring socket pistol side fits handle with ball joint |
| 18 | 91912503 | Cable support spring handle-side for torches with ball joint |
| 20 | 25920311 | Coaxial-cable 35mm ² / 3m fits EURO central adapter |
| 20 | 25920411 | Coaxial-cable 35mm ² / 4m fits EURO central adapter |
| 20 | 25920511 | Coaxial-cable 35mm ² / 5m fits EURO central adapter |
| 21 | 15912211 | Lock-nut M10x1-L9,5mm for coaxial-cable |
| 22 | 91902811 | Cable-plug fits industry-handle |
| 23 | 91902901 | Male connector cable-plug for machine side EURO central adapter |
| 24 | 91903001 | Female connector cable-plug fits machine side EURO central adapter |
| 40 | 91900701 | Terminal nut insulated fits EURO central adapter |
| 41 | 91900101 | Central adapter fixed contact-pins EURO central adapter |
| 41 | 91900106 | Central adapter spring contact-pins EURO central adapter |
| 42 | 91900801 | O-ring ID4-W1mm fits gas-nipple EURO central adapter |
| 43 | 91900901 | Coupling nut IT-M10x1 (rounded edges) fits EURO central adapter |
| 49 | 91900561 | Cable support machine side (screws included) EURO central adapter |
| N.i. | 91920702 | Screw M3x11,5mm fits Ratio/Industry/RAUCH handle and cable support |
| N.i. | 91920703 | M3 mounting socket fits Ratio/Industry/RAUCH handle and cable support |
| N.i. | 91900601 | Attachment screw M4x6mm fits cable support EURO central adapter |
| 52 | 91912502 | Cable support spring fits handles without ball joint and for EURO |
| 62 | 32980001 | Contact tip holder IT-M6 with snapping |
| 63 | 32912001 | Gas diffusor-insulating fits contact tip M6-L28-D8 |
| 70 | 62808001 | Contact tip M6-L28-AD8 0,8 |
| 70 | 62810001 | Contact tip M6-L28-AD8 1,0 |
| 70 | 62812001 | Contact tip M6-L28-AD8 1,2 |
| 70 | 62814001 | Contact tip M6-L28-AD8 1,4 |
| 70 | 62808401 | Contact tip M6-L28-AD8 CuCrZr 0,8 |
| 70 | 62810401 | Contact tip M6-L28-AD8 CuCrZr 1,0 |
| 70 | 62812401 | Contact tip M6-L28-AD8 CuCrZr 1,2 |
| 70 | 62808301 | Contact tip M6-L28-AD8 0,8 nickel-plated |
| 70 | 62810301 | Contact tip M6-L28-AD8 1,0 nickel-plated |
| 70 | 62812301 | Contact tip M6-L28-AD8 1,2 nickel-plated |

Welding-torch MIG-MAG gas-cooled**280A at 60% duty cycle (CO₂) - 250A at 60% duty cycle (mixed gas)**

| Art.-No. | | |
|---------------------------------------------------------------------|-----------------|-------------------------------------------------------------------|
| 70 | 62814301 | Contact tip M6-L28-AD8 1,4 nickel-plated |
| 70 | 62808a01 | Contact tip M6-L28-D8 0,8-A for aluminium wire |
| 70 | 62810a01 | Contact tip M6-L28-D8 1,0-A for aluminium wire |
| 70 | 62812a01 | Contact tip M6-L28-D8 1,2-A for aluminium wire |
| 78 | 32912101 | Swivel nut for gas nozzle |
| N.i. | 32912102 | Swivel nut for gas nozzle widened fits heavy gass nozzle |
| 80 | 32930001 | Gas nozzle conical-ID12mm |
| 81 | 32931001 | Gas nozzle conical-ID15mm |
| 82 | 32933001 | Gas nozzle cylindric-ID19mm |
| 83 | 32932001 | Gas nozzle conical-ID16mm massy design |
| Spirals and liners also available in other sizes on inquiry! | | |
| 90 | 15451311 | Guide spiral-line blue ID1,5-AD4,5 fits 3m / EURO central adapter |
| 90 | 15451411 | Guide spiral-line blue ID1,5-AD4,5 fits 4m / EURO central adapter |
| 90 | 15451511 | Guide spiral-line blue ID1,5-AD4,5 fits 5m / EURO central adapter |
| 90 | 20451311 | Guide spiral-line red ID2,0-AD4,5 fits 3m / EURO central adapter |
| 90 | 20451411 | Guide spiral-line red ID2,0-AD4,5 fits 4m / EURO central adapter |
| 90 | 20451511 | Guide spiral-line red ID2,0-AD4,5 fits 5m / EURO central adapter |
| 92 | 20393311 | PTFE-carbon core liner ID2,0-AD3,9 fits 3m / EURO central adapter |
| 92 | 20393411 | PTFE-carbon core liner ID2,0-AD3,9 fits 4m / EURO central adapter |
| 92 | 20393511 | PTFE-carbon core liner ID2,0-AD3,9 fits 5m / EURO central adapter |
| 92 | 20406311 | PA-core liner black ID2,0-AD4,0 fits 3m / EURO central adapter |
| 92 | 20406411 | PA-core liner black ID2,0-AD4,0 fits 4m / EURO central adapter |
| 92 | 20406511 | PA-core liner black ID2,0-AD4,0 fits 5m / EURO central adapter |
| N.i. | 20405002 | Brass spiral liner blue L300mm IG fits AD3,9/4,0mm |
| 95 | 91905721 | Nipple fits spiral liner EURO central adapter AD 4,5mm |
| 96 | 91906111 | Nipple fits core liner EURO central adapter AD3,9/4,0mm |
| 97 | 91906131 | O-ring ID3,5-W1,5 fits core liners |
| N.i. | 91906112 | Support tube, brass ID4,4 - AD5,0 - L200mm |

Torch MHS 35-D gas-cooled

The factory standard gear is marked in red.



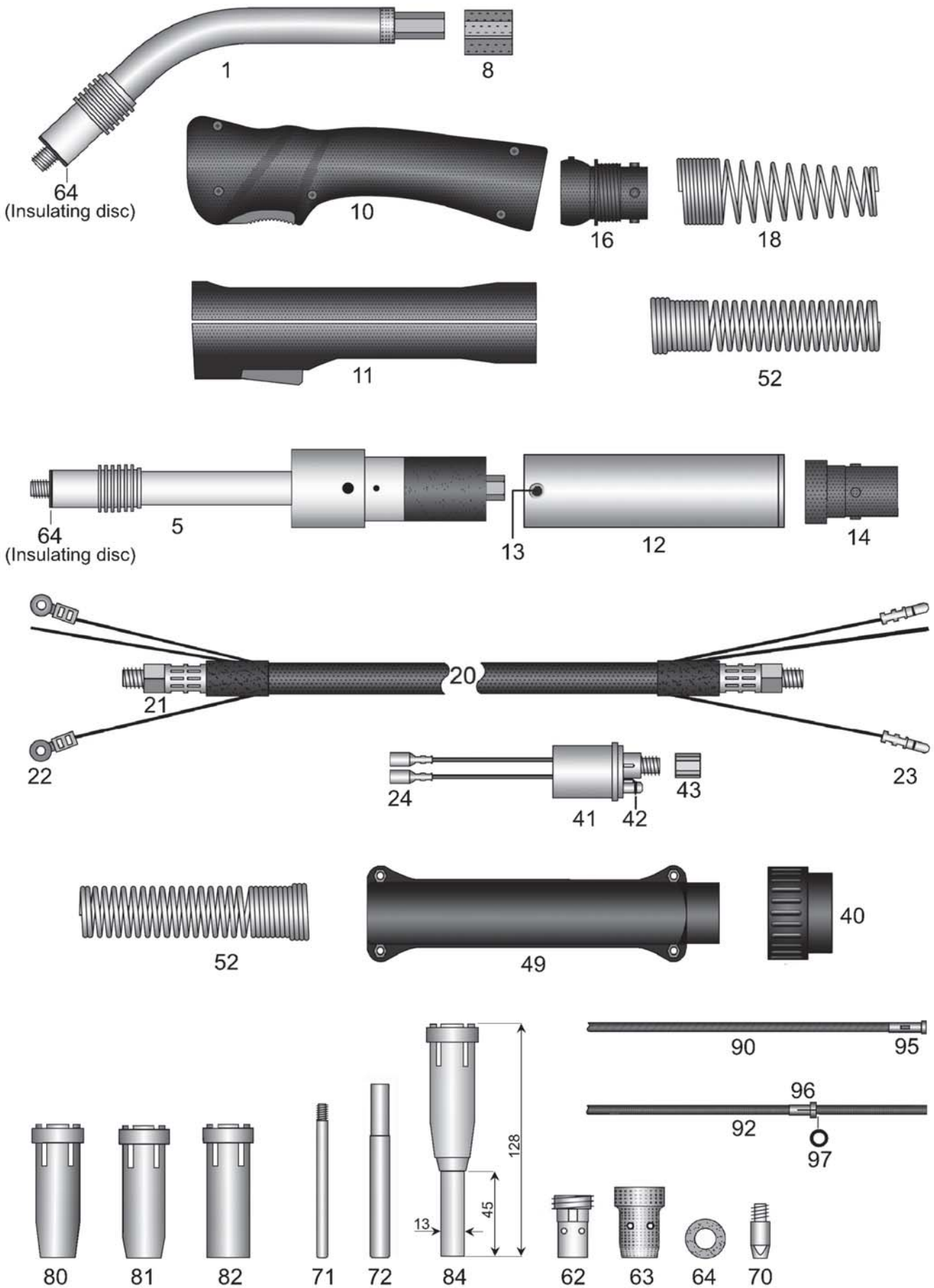
Holch Schweißbrenner GmbH
Bühlstraße 14
D-57080 Siegen

Phone: +49(0)271 387860-11
Telefax: +49(0)271 387860-29
E-Mail: info@holch-siegen.de
Web: www.holch-siegen.de



MHS 35-D gas-cooled

320 Ampere at 60% duty cycle (CO₂) - 300 Ampere at 60% duty cycle (mixed gas)



HSN 121

Welding-torch MIG-MAG gas-cooled**320A at 60% duty cycle (CO2) - 300A at 60% duty cycle (mixed gas)****Art.-No.****Spare parts as torch MHS 401/501-18-D/501-SUPER water-cooled**

| | |
|----------|----------------------------------------------------------------------|
| 35000311 | Torch MHS 35-D / 3m EURO central adapter 42mm ² |
| 35000411 | Torch MHS 35-D / 4m EURO central adapter 42mm ² |
| 35000511 | Torch MHS 35-D / 5m EURO central adapter 42mm ² |
| 35050311 | AUTomatic-torch MHS 35-D / 3m EURO central adapter 42mm ² |

**For torches without EURO central-adaptor the following prices apply.
Please note that for some special machine side connections surcharges may arise,
which you will find in the appendix "A" custom made products.**

| | |
|----------|-------------------------------------------------|
| 35000301 | Torch MHS 35-D / 3m 42mm ² |
| 35000401 | Torch MHS 35-D / 4m 42mm ² |
| 35000501 | Torch MHS 35-D / 5m 42mm ² |
| 35050301 | AUTomatic-torch MHS 35-D / 3m 42mm ² |

Special lengths for hand- and AUTomatic-torches please notice appendix "B".

| | |
|---------------|-----------------------------------------------------------|
| pg000001 | Surcharge: Pistol-shape-handle / stabilizer |
| N.i. 91912453 | Heat protection shield for pistol handle, screws included |
| 29004602 | Surcharge: Torch body with custom bending |

Torch body and AUTomatic torch body with teflon insulation, nickel coated brazen outer tube with cooling ribs, very massive power conduit, front ceramic insulation, complete with insulator and contact tip holder M8.

| | | |
|------|----------|----------------------------------------------------------------|
| 1 | 35910001 | Swan neck |
| N.i. | 30405001 | Surcharge: with brazen inner tube ID3-AD4mm for aluminium wire |
| 5 | 35915001 | AUTomatic-torch body |
| 8 | 15912301 | Polyamid-torch body |

Handles complete with switch, screws and ball joint

| | | |
|------|----------|--------------------------------------------------------------------------|
| 10 | 91912535 | Ratio-handle 18mm with ball joint |
| 10 | 91912435 | Ratio-handle 18mm standard (without ball joint) |
| N.i. | 91912438 | Ratio microswitch DC2 also fits RAUCH handle |
| N.i. | 91912439 | Push button red for Ratio handle also fits RAUCH handle |
| N.i. | 91912441 | Ratio spring fits button Ratio grip handle |
| 11 | 91912102 | Industry-handle 18mm with ball joint |
| 11 | 91912331 | Industry-handle 18mm standard (without ball joint) |
| N.i. | 91920411 | Switch-set fits industry-handle for 16/18/20mm (11 parts) |
| N.i. | 91920702 | Screw M3x11,5mm fits Ratio/Industry/RAUCH handle and cable support |
| N.i. | 91920703 | M3 mounting socket fits Ratio/Industry/RAUCH handle and cable support |
| 12 | 91912901 | AUT handle tube, brass-cladded AD38mm for AUT-torch rubber cable support |
| 13 | 91912911 | Holding screw M4x6mm fits AUT handle tube |
| 14 | 50191251 | Rubber cable-support RETRO |
| 16 | 91912704 | Spring socket pistol side fits handle with ball joint |
| 18 | 91912503 | Cable support spring handle-side for torches with ball joint |
| 20 | 36921311 | Coaxial-cable 42mm ² / 3m fits EURO central adapter |
| 20 | 36921411 | Coaxial-cable 42mm ² / 4m fits EURO central adapter |
| 20 | 36921511 | Coaxial-cable 42mm ² / 5m fits EURO central adapter |

Welding-torch MIG-MAG gas-cooled

320A at 60% duty cycle (CO₂) - 300A at 60% duty cycle (mixed gas)

| Art.-No. | | |
|----------|----------|-------------------------------------------------------------------------------|
| 21 | 15912211 | Lock-nut M10x1-L9,5mm for coaxial-cable |
| 22 | 91902811 | Cable-plug fits industry-handle |
| 23 | 91902901 | Male connector cable-plug for machine side EURO central adapter |
| 24 | 91903001 | Female connector cable-plug fits machine side EURO central adapter |
| 40 | 91900701 | Terminal nut insulated fits EURO central adapter |
| 41 | 91900101 | Central adapter fixed contact-pins EURO central adapter |
| 41 | 91900106 | Central adapter spring contact-pins EURO central adapter |
| 42 | 91900801 | O-ring ID4-W1mm fits gas-nipple EURO central adapter |
| 43 | 91900901 | Coupling nut IT-M10x1 (rounded edges) fits EURO central adapter |
| 49 | 91900561 | Cable support machine side (screws included) EURO central adapter |
| N.i. | 91920702 | Screw M3x11,5mm fits Ratio/Industry/RAUCH handle and cable support |
| N.i. | 91920703 | M3 mounting socket fits Ratio/Industry/RAUCH handle and cable support |
| N.i. | 91900601 | Attachment screw M4x6mm fits cable support EURO central adapter |
| 52 | 91912502 | Cable support spring fits handles without ball joint and for EURO |
| 62 | 50198001 | Contact tip holder IT-M8 AG-M16x1-L25mm |
| 62 | 50198101 | Contact tip holder IT-M6 AG-M16x1-L25mm (for narrow-gap contact tip) |
| 63 | 50191201 | Gas diffuser Keripol white |
| 63 | 50191204 | HT-gasdiffusor black power |
| 63 | 50191203 | Ceramic-gas diffuser |
| 64 | 50191241 | Insulator |
| 70 | 83008001 | Contact tip M8-L30-AD10 0,8 |
| 70 | 83010001 | Contact tip M8-L30-AD10 1,0 |
| 70 | 83012001 | Contact tip M8-L30-AD10 1,2 |
| 70 | 83014001 | Contact tip M8-L30-AD10 1,4 |
| 70 | 83010401 | Contact tip M8-L30-AD10 CuCrZr 1,0 |
| 70 | 83012401 | Contact tip M8-L30-AD10 CuCrZr 1,2 |
| 70 | 83014401 | Contact tip M8-L30-AD10 CuCrZr 1,4 |
| 70 | 83008301 | Contact tip M8-L30-AD10 0,8 nickel-plated |
| 70 | 83010301 | Contact tip M8-L30-AD10 1,0 nickel-plated |
| 70 | 83012301 | Contact tip M8-L30-AD10 1,2 nickel-plated |
| 70 | 83014301 | Contact tip M8-L30-AD10 1,4 nickel-plated |
| 70 | 83008a01 | Contact tip M8-L30-D10 0,8-A for aluminium wire |
| 70 | 83010a01 | Contact tip M8-L30-D10 1,0-A for aluminium wire |
| 70 | 83012a01 | Contact tip M8-L30-D10 1,2-A for aluminium wire |
| 71 | 68310101 | Narrow-gap contact tip M6-L83-AD6 0,8-1,0 nickel-plated |
| 71 | 68312101 | Narrow-gap contact tip M6-L83-AD6 1,2 nickel-plated |
| N.i. | 88551241 | Narrow gap-contact tip M8-L85,5-D10 turned down to 6mm 1,2 CuCrZr |
| 72 | 91921801 | Centering wrench for Narrow-gap contact tip M6-L83-D6 |
| 80 | 50193201 | Gas nozzle conical-ID14mm |
| 81 | 50193001 | Gas nozzle conical-ID16mm |
| 82 | 50193301 | Gas nozzle cylindric-ID19mm |
| 84 | 50193361 | Narrow-gap gas nozzle with cylinder ID11-AD13-L45mm (overall length 128mm) |
| N.i. | 50191243 | Narrow gap-insulation ring black power |
| N.i. | 50193362 | Narrow gap-gasnozzle lower part, nickel-coated with PTFE insulation ring |
| N.i. | 50193363 | PTFE-seal fits narrow gap-gasnozzle lower part |
| N.i. | 50193364 | cylinder (nickel plated) for narrow gap-gasnozzle ID11-AD14mm fits lower part |
| N.i. | 50193365 | cylinder (nickel plated) for narrow gap-gasnozzle ID12-AD15mm fits lower part |

Welding-torch MIG-MAG gas-cooled

320A at 60% duty cycle (CO₂) - 300A at 60% duty cycle (mixed gas)**Art.-No.**

| Spirals and liners also available in other sizes on inquiry! | | |
|---------------------------------------------------------------------|----------|-------------------------------------------------------------------|
| 90 | 15451311 | Guide spiral-line blue ID1,5-AD4,5 fits 3m / EURO central adapter |
| 90 | 15451411 | Guide spiral-line blue ID1,5-AD4,5 fits 4m / EURO central adapter |
| 90 | 15451511 | Guide spiral-line blue ID1,5-AD4,5 fits 5m / EURO central adapter |
| 90 | 20451311 | Guide spiral-line red ID2,0-AD4,5 fits 3m / EURO central adapter |
| 90 | 20451411 | Guide spiral-line red ID2,0-AD4,5 fits 4m / EURO central adapter |
| 90 | 20451511 | Guide spiral-line red ID2,0-AD4,5 fits 5m / EURO central adapter |
| 92 | 20393311 | PTFE-carbon core liner ID2,0-AD3,9 fits 3m / EURO central adapter |
| 92 | 20393411 | PTFE-carbon core liner ID2,0-AD3,9 fits 4m / EURO central adapter |
| 92 | 20393511 | PTFE-carbon core liner ID2,0-AD3,9 fits 5m / EURO central adapter |
| 92 | 20406311 | PA-core liner black ID2,0-AD4,0 fits 3m / EURO central adapter |
| 92 | 20406411 | PA-core liner black ID2,0-AD4,0 fits 4m / EURO central adapter |
| 92 | 20406511 | PA-core liner black ID2,0-AD4,0 fits 5m / EURO central adapter |
| N.i. | 20405002 | Brass spiral liner blue L300mm IG fits AD3,9/4,0mm |
| 95 | 91905721 | Nipple fits spiral liner EURO central adapter AD 4,5mm |
| 96 | 91906111 | Nipple fits core liner EURO central adapter AD3,9/4,0mm |
| 97 | 91906131 | O-ring ID3,5-W1,5 fits core liners |
| N.i. | 91906112 | Support tube, brass ID4,4 - AD5,0 - L200mm |

Torch MHS 36-KD gas-cooled

The factory standard gear is marked in red.



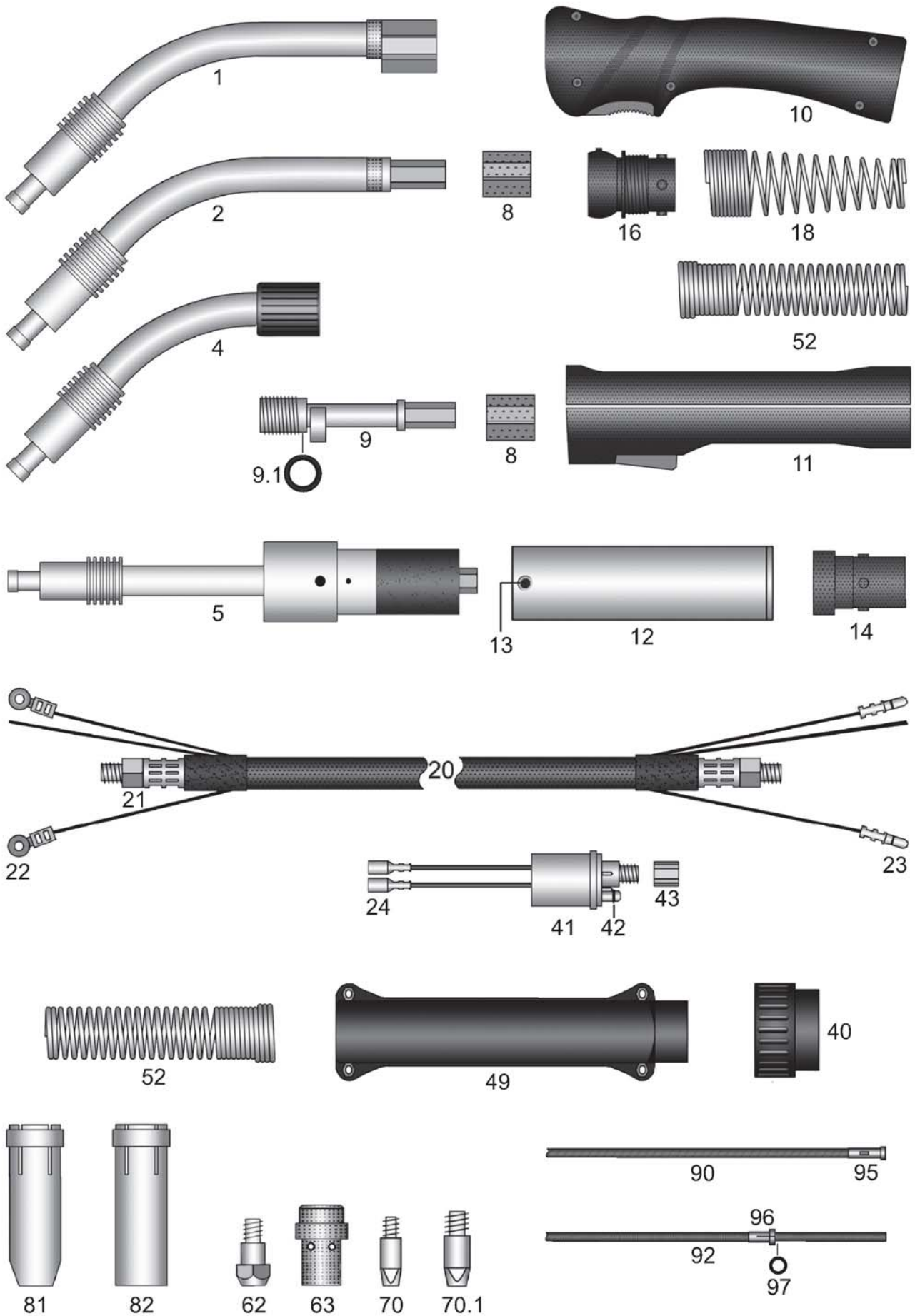
Holch Schweißbrenner GmbH
Bühlstraße 14
D-57080 Siegen

Phone: +49(0)271 387860-11
Telefax: +49(0)271 387860-29
E-Mail: info@holch-siegen.de
Web: www.holch-siegen.de



MHS 36-KD gas-cooled

340 Ampere at 60% duty cycle (CO₂) - 320 Ampere at 60% duty cycle (mixed gas)



HSN 122

Welding-torch MIG-MAG gas-cooled

340A at 60% duty cycle (CO₂) - 320A at 60% duty cycle (mixed gas)

| Art.-No. | |
|------------------------------------------------------------------------------------------------------------------------------------------------------------------------------------------------------------------------------------|---------------------------------------------------------------------------------------------------------------------|
| 36000311 | Torch MHS 36-KD-SPEZIAL / 3m EURO central adapter 42mm ² inner Torch body with cooling-duct section tube |
| 36000411 | Torch MHS 36-KD-SPEZIAL / 4m EURO central adapter 42mm ² inner Torch body with cooling-duct section tube |
| 36000511 | Torch MHS 36-KD-SPEZIAL / 5m EURO central adapter 42mm ² inner Torch body with cooling-duct section tube |
| 36300311 | Torch MHS 36-KD / 3m EURO central adapter 42mm ² |
| 36300411 | Torch MHS 36-KD / 4m EURO central adapter 42mm ² |
| 36300511 | Torch MHS 36-KD / 5m EURO central adapter 42mm ² |
| 36310311 | DR Torch MHS 36-KD / 3m EURO central adapter 42mm ² |
| 36310411 | DR Torch MHS 36-KD / 4m EURO central adapter 42mm ² |
| 36310511 | DR Torch MHS 36-KD / 5m EURO central adapter 42mm ² |
| 36500311 | AUTomatic-torch MHS 36-KD-SPEZIAL / 3m EURO central adapter 42mm ² |
| 36315311 | AUT DR Torch MHS 36-KD / 3m EURO central adapter 42mm ² |
| For torches without EURO central-adaptor the following prices apply. Please note that for some special machine side connections surcharges may arise, which you will find in the appendix "A" custom made products. | |
| 36000301 | Torch MHS 36-KD-SPEZIAL / 3m 42mm ² inner Torch body with cooling-duct section tube |
| 36000401 | Torch MHS 36-KD-SPEZIAL / 4m 42mm ² inner Torch body with cooling-duct section tube |
| 36000501 | Torch MHS 36-KD-SPEZIAL / 5m 42mm ² inner Torch body with cooling-duct section tube |
| 36300301 | Torch MHS 36-KD / 3m 42mm ² |
| 36300401 | Torch MHS 36-KD / 4m 42mm ² |
| 36300501 | Torch MHS 36-KD / 5m 42mm ² |
| 36310301 | DR Torch MHS 36-KD / 3m 42mm ² |
| 36310401 | DR Torch MHS 36-KD / 4m 42mm ² |
| 36310501 | DR Torch MHS 36-KD / 5m 42mm ² |
| 36500301 | AUTomatic-torch MHS 36-KD-SPEZIAL / 3m 42mm ² |
| 36315301 | DR AUTomatic-torch MHS 36-KD / 3m 42mm ² |
| Special lengths for hand- and AUTomatic-torches please notice appendix "B". | |
| pg000001 | Surcharge: Pistol-shape-handle / stabilizer |
| N.i. 91912453 | Heat protection shield for pistol handle, screws included |
| 29004602 | Surcharge: Torch body with custom bending |
| All torch bodies and AUTomatic torch bodies with teflon insulation, nickel coated brazen outer tube with cooling ribs, complete with contact tip holder and gasdiffusor. | |
| 1 | 36910001 Swan neck 36-KD-SPEZIAL |
| 2 | 36309101 Swan neck 36-KD |
| N.i. | 30405001 Surcharge: with brazen inner tube ID3-AD4mm for aluminium wire |
| 4 | 36319101 DR Swan neck MHS 36-KD |
| 5 | 36915001 AUTomatic-torch body 36-KD-SPEZIAL |
| 8 | 15912301 Polyamid-torch body |
| 9 | 15912602 DR Torch body brass fits ratio handle |
| 9 | 15912601 DR Torch body brass fits industry-handle |
| N.i. | 15912651 Auxiliary torch body fits coaxial cable |

Welding-torch MIG-MAG gas-cooled

340A at 60% duty cycle (CO₂) - 320A at 60% duty cycle (mixed gas)

| Art.-No. | | |
|-----------------------------------------------------------------------------------------------------------------------------------------|----------|--------------------------------------------------------------------------|
| 9.1 | 91903604 | O-ring ID19-W2,4mm |
| Handles, complete with switch, screws and ball joint! Handles with hole-20mm are for swivel neck torches (DR torches). | | |
| 10 | 91912534 | Ratio-handle 16mm with ball joint |
| 10 | 91912536 | Ratio-handle 20mm with ball joint |
| 10 | 91912434 | Ratio-handle 16mm standard (without ball joint) |
| 10 | 91912436 | Ratio-handle 20mm standard (without ball joint) |
| N.i. | 91912438 | Ratio microswitch DC2 also fits RAUCH handle |
| N.i. | 91912439 | Push button red for Ratio handle also fits RAUCH handle |
| N.i. | 91912441 | Ratio spring fits button Ratio grip handle |
| 11 | 91912101 | Industry-handle 16mm with ball joint |
| 11 | 91912103 | Industry-handle 20mm with ball joint |
| 11 | 91912231 | Industry-handle 16mm standard (without ball joint) |
| 11 | 91912431 | Industry-handle 20mm standard (without ball joint) |
| N.i. | 91920411 | Switch-set fits industry-handle for 16/18/20mm (11 parts) |
| N.i. | 91920702 | Screw M3x11,5mm fits Ratio/Industry/RAUCH handle and cable support |
| N.i. | 91920703 | M3 mounting socket fits Ratio/Industry/RAUCH handle and cable support |
| 12 | 91912901 | AUT handle tube, brass-cladded AD38mm for AUT-torch rubber cable support |
| 13 | 91912911 | Holding screw M4x6mm fits AUT handle tube |
| 14 | 50191251 | Rubber cable-support RETRO |
| 16 | 91912704 | Spring socket pistol side fits handle with ball joint |
| 18 | 91912503 | Cable support spring handle-side for torches with ball joint |
| 20 | 36921311 | Coaxial-cable 42mm ² / 3m fits EURO central adapter |
| 20 | 36921411 | Coaxial-cable 42mm ² / 4m fits EURO central adapter |
| 20 | 36921511 | Coaxial-cable 42mm ² / 5m fits EURO central adapter |
| 21 | 15912211 | Lock-nut M10x1-L9,5mm for coaxial-cable |
| 22 | 91902811 | Cable-plug fits industry-handle |
| 23 | 91902901 | Male connector cable-plug for machine side EURO central adapter |
| 24 | 91903001 | Female connector cable-plug fits machine side EURO central adapter |
| 40 | 91900701 | Terminal nut insulated fits EURO central adapter |
| 41 | 91900101 | Central adapter fixed contact-pins EURO central adapter |
| 41 | 91900106 | Central adapter spring contact-pins EURO central adapter |
| 42 | 91900801 | O-ring ID4-W1mm fits gas-nipple EURO central adapter |
| 43 | 91900901 | Coupling nut IT-M10x1 (rounded edges) fits EURO central adapter |
| 49 | 91900561 | Cable support machine side (screws included) EURO central adapter |
| N.i. | 91920702 | Screw M3x11,5mm fits Ratio/Industry/RAUCH handle and cable support |
| N.i. | 91920703 | M3 mounting socket fits Ratio/Industry/RAUCH handle and cable support |
| N.i. | 91900601 | Attachment screw M4x6mm fits cable support EURO central adapter |
| 52 | 91912502 | Cable support spring fits handles without ball joint and for EURO |
| 62 | 36980001 | Contact tip holder IT-M6 SW12-L28mm |
| 62 | 36981001 | Contact tip holder IT-M8 SW12-L28mm |
| 63 | 36912001 | Gas diffusor Keripol white |
| 63 | 36912004 | HT-gasdiffusor black power |
| 63 | 36912003 | Ceramic gas diffusor |

Welding-torch MIG-MAG gas-cooled

340A at 60% duty cycle (CO₂) - 320A at 60% duty cycle (mixed gas)

| Art.-No. | | |
|----------|----------|-------------------------------------------------|
| 70 | 62808001 | Contact tip M6-L28-AD8 0,8 |
| 70 | 62810001 | Contact tip M6-L28-AD8 1,0 |
| 70 | 62812001 | Contact tip M6-L28-AD8 1,2 |
| 70 | 62814001 | Contact tip M6-L28-AD8 1,4 |
| 70 | 62808401 | Contact tip M6-L28-AD8 CuCrZr 0,8 |
| 70 | 62810401 | Contact tip M6-L28-AD8 CuCrZr 1,0 |
| 70 | 62812401 | Contact tip M6-L28-AD8 CuCrZr 1,2 |
| 70 | 62808301 | Contact tip M6-L28-AD8 0,8 nickel-plated |
| 70 | 62810301 | Contact tip M6-L28-AD8 1,0 nickel-plated |
| 70 | 62812301 | Contact tip M6-L28-AD8 1,2 nickel-plated |
| 70 | 62814301 | Contact tip M6-L28-AD8 1,4 nickel-plated |
| 70 | 62808a01 | Contact tip M6-L28-D8 0,8-A for aluminium wire |
| 70 | 62810a01 | Contact tip M6-L28-D8 1,0-A for aluminium wire |
| 70 | 62812a01 | Contact tip M6-L28-D8 1,2-A for aluminium wire |
| 70.1 | 83008001 | Contact tip M8-L30-AD10 0,8 |
| 70.1 | 83010001 | Contact tip M8-L30-AD10 1,0 |
| 70.1 | 83012001 | Contact tip M8-L30-AD10 1,2 |
| 70.1 | 83014001 | Contact tip M8-L30-AD10 1,4 |
| 70.1 | 83010401 | Contact tip M8-L30-AD10 CuCrZr 1,0 |
| 70.1 | 83012401 | Contact tip M8-L30-AD10 CuCrZr 1,2 |
| 70.1 | 83014401 | Contact tip M8-L30-AD10 CuCrZr 1,4 |
| 70.1 | 83008301 | Contact tip M8-L30-AD10 0,8 nickel-plated |
| 70.1 | 83010301 | Contact tip M8-L30-AD10 1,0 nickel-plated |
| 70.1 | 83012301 | Contact tip M8-L30-AD10 1,2 nickel-plated |
| 70.1 | 83014301 | Contact tip M8-L30-AD10 1,4 nickel-plated |
| 70.1 | 83008a01 | Contact tip M8-L30-D10 0,8-A for aluminium wire |
| 70.1 | 83010a01 | Contact tip M8-L30-D10 1,0-A for aluminium wire |
| 70.1 | 83012a01 | Contact tip M8-L30-D10 1,2-A for aluminium wire |
| 81 | 36930001 | Gas nozzle conical-ID16mm nickel-plated |
| 82 | 36933001 | Gas nozzle cylindric-ID19mm nickel-plated |

Spirals and liners also available in other sizes on inquiry!

| | | |
|----|----------|-------------------------------------------------------------------|
| 90 | 15451311 | Guide spiral-line blue ID1,5-AD4,5 fits 3m / EURO central adapter |
| 90 | 15451411 | Guide spiral-line blue ID1,5-AD4,5 fits 4m / EURO central adapter |
| 90 | 15451511 | Guide spiral-line blue ID1,5-AD4,5 fits 5m / EURO central adapter |
| 90 | 20451311 | Guide spiral-line red ID2,0-AD4,5 fits 3m / EURO central adapter |
| 90 | 20451411 | Guide spiral-line red ID2,0-AD4,5 fits 4m / EURO central adapter |
| 90 | 20451511 | Guide spiral-line red ID2,0-AD4,5 fits 5m / EURO central adapter |
| 92 | 20393311 | PTFE-carbon core liner ID2,0-AD3,9 fits 3m / EURO central adapter |
| 92 | 20393411 | PTFE-carbon core liner ID2,0-AD3,9 fits 4m / EURO central adapter |
| 92 | 20393511 | PTFE-carbon core liner ID2,0-AD3,9 fits 5m / EURO central adapter |
| 92 | 20406311 | PA-core liner black ID2,0-AD4,0 fits 3m / EURO central adapter |
| 92 | 20406411 | PA-core liner black ID2,0-AD4,0 fits 4m / EURO central adapter |
| 92 | 20406511 | PA-core liner black ID2,0-AD4,0 fits 5m / EURO central adapter |

Welding-torch MIG-MAG gas-cooled**340A at 60% duty cycle (CO2) - 320A at 60% duty cycle (mixed gas)**

| Art.-No. | | |
|-----------------|----------|---------------------------------------------------------|
| N.i. | 20405002 | Brass spiral liner blue L300mm IG fits AD3,9/4,0mm |
| 95 | 91905721 | Nipple fits spiral liner EURO central adapter AD 4,5mm |
| 96 | 91906111 | Nipple fits core liner EURO central adapter AD3,9/4,0mm |
| 97 | 91906131 | O-ring ID3,5-W1,5 fits core liners |
| N.i. | 91906112 | Support tube, brass ID4,4 - AD5,0 - L200mm |

Torch MHS 37-D gas-cooled

The factory standard gear is marked in red.



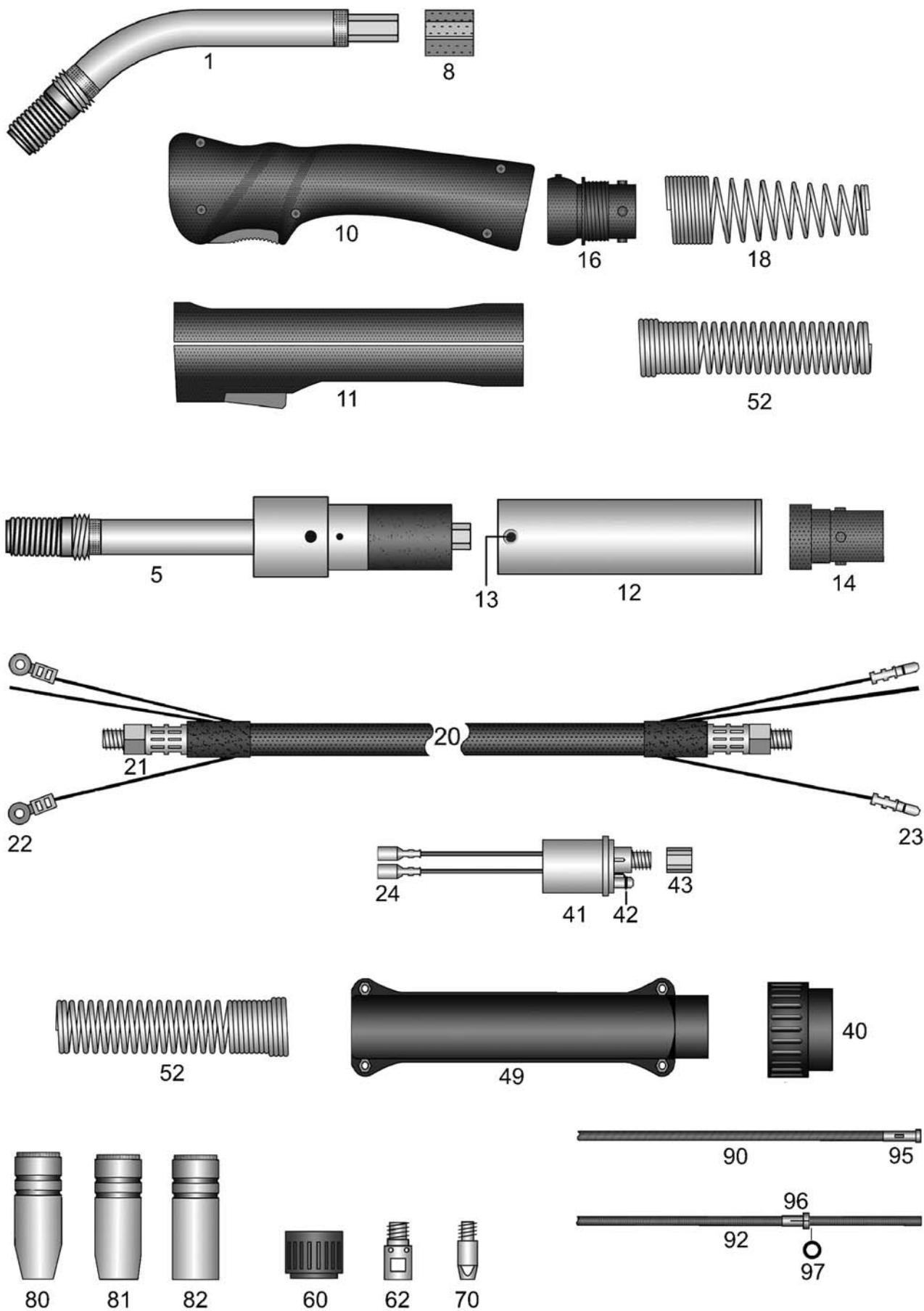
Holch Schweißbrenner GmbH
Bühlstraße 14
D-57080 Siegen

Phone: +49(0)271 387860-11
Telefax: +49(0)271 387860-29
E-Mail: info@holch-siegen.de
Web: www.holch-siegen.de



MHS 37-D gas-cooled

320 Ampere at 60% duty cycle (CO₂) - 300 Ampere at 60% duty cycle (mixed gas)



HSN 123

Welding-torch MIG-MAG gas-cooled**320A at 60% duty cycle (CO₂) - 300A at 60% duty cycle (mixed gas)****Art.-No.****Spare parts as torch MHS 351-D water-cooled**

| | |
|----------|----------------------------------------------------------------------|
| 37000311 | Torch MHS 37-D / 3m EURO central adapter 42mm ² |
| 37000411 | Torch MHS 37-D / 4m EURO central adapter 42mm ² |
| 37000511 | Torch MHS 37-D / 5m EURO central adapter 42mm ² |
| 37500311 | AUTomatic-torch MHS 37-D / 3m EURO central adapter 42mm ² |

**For torches without EURO central-adaptor the following prices apply.
Please note that for some special machine side connections surcharges may arise,
which you will find in the appendix "A" custom made products.**

| | |
|----------|-------------------------------------------------|
| 37000301 | Torch MHS 37-D / 3m 42mm ² |
| 37000401 | Torch MHS 37-D / 4m 42mm ² |
| 37000501 | Torch MHS 37-D / 5m 42mm ² |
| 37500301 | AUTomatic-torch MHS 37-D / 3m 42mm ² |

Special lengths for hand- and AUTomatic-torches please notice appendix "B".

| | |
|---------------|-----------------------------------------------------------|
| pg000001 | Surcharge: Pistol-shape-handle / stabilizer |
| N.i. 91912453 | Heat protection shield for pistol handle, screws included |
| 29004602 | Surcharge: Torch body with custom bending |

**Torch body and AUTomatic torch body with teflon insulation, nickel coated brazen outer tube,
very massive power conduit, complete with contact tip holder M8.**

| | | |
|------|----------|----------------------------------------------------------------|
| 1 | 37910001 | Swan neck |
| N.i. | 30405001 | Surcharge: with brazen inner tube ID3-AD4mm for aluminium wire |
| 5 | 37915001 | AUTomatic-torch body |
| 8 | 15912301 | Polyamid-torch body |

Handles complete with switch, screws and ball joint

| | | |
|------|----------|-----------------------------------------------------------------------|
| 10 | 91912535 | Ratio-handle 18mm with ball joint |
| 10 | 91912435 | Ratio-handle 18mm standard (without ball joint) |
| N.i. | 91912438 | Ratio microswitch DC2 also fits RAUCH handle |
| N.i. | 91912439 | Push button red for Ratio handle also fits RAUCH handle |
| N.i. | 91912441 | Ratio spring fits button Ratio grip handle |
| 11 | 91912102 | Industry-handle 18mm with ball joint |
| 11 | 91912331 | Industry-handle 18mm standard (without ball joint) |
| N.i. | 91920411 | Switch-set fits industry-handle for 16/18/20mm (11 parts) |
| N.i. | 91920702 | Screw M3x11,5mm fits Ratio/Industry/RAUCH handle and cable support |
| N.i. | 91920703 | M3 mounting socket fits Ratio/Industry/RAUCH handle and cable support |

| | | |
|----|----------|--------------------------------------------------------------------------|
| 12 | 91912901 | AUT handle tube, brass-cladded AD38mm for AUT-torch rubber cable support |
| 13 | 91912911 | Holding screw M4x6mm fits AUT handle tube |
| 14 | 50191251 | Rubber cable-support RETRO |

| | | |
|----|----------|--------------------------------------------------------------|
| 16 | 91912704 | Spring socket pistol side fits handle with ball joint |
| 18 | 91912503 | Cable support spring handle-side for torches with ball joint |

| | | |
|----|----------|----------------------------------------------------------------|
| 20 | 36921311 | Coaxial-cable 42mm ² / 3m fits EURO central adapter |
| 20 | 36921411 | Coaxial-cable 42mm ² / 4m fits EURO central adapter |
| 20 | 36921511 | Coaxial-cable 42mm ² / 5m fits EURO central adapter |

| | | |
|----|----------|-----------------------------------------|
| 21 | 15912211 | Lock-nut M10x1-L9,5mm for coaxial-cable |
|----|----------|-----------------------------------------|

Welding-torch MIG-MAG gas-cooled

320A at 60% duty cycle (CO₂) - 300A at 60% duty cycle (mixed gas)

| Art.-No. | | |
|---------------------------------------------------------------------|----------|-----------------------------------------------------------------------|
| 22 | 91902811 | Cable-plug fits industry-handle |
| 23 | 91902901 | Male connector cable-plug for machine side EURO central adapter |
| 24 | 91903001 | Female connector cable-plug fits machine side EURO central adapter |
| 40 | 91900701 | Terminal nut insulated fits EURO central adapter |
| 41 | 91900101 | Central adapter fixed contact-pins EURO central adapter |
| 41 | 91900106 | Central adapter spring contact-pins EURO central adapter |
| 42 | 91900801 | O-ring ID4-W1mm fits gas-nipple EURO central adapter |
| 43 | 91900901 | Coupling nut IT-M10x1 (rounded edges) fits EURO central adapter |
| 49 | 91900561 | Cable support machine side (screws included) EURO central adapter |
| N.i. | 91920702 | Screw M3x11,5mm fits Ratio/Industry/RAUCH handle and cable support |
| N.i. | 91920703 | M3 mounting socket fits Ratio/Industry/RAUCH handle and cable support |
| N.i. | 91900601 | Attachment screw M4x6mm fits cable support EURO central adapter |
| 52 | 91912502 | Cable support spring fits handles without ball joint and for EURO |
| 60 | 35191201 | Laminated fabric-tension-insulator |
| 62 | 92981001 | Contact tip holder IT-M8 AD13-L28mm |
| 70 | 83008001 | Contact tip M8-L30-AD10 0,8 |
| 70 | 83010001 | Contact tip M8-L30-AD10 1,0 |
| 70 | 83012001 | Contact tip M8-L30-AD10 1,2 |
| 70 | 83014001 | Contact tip M8-L30-AD10 1,4 |
| 70 | 83010401 | Contact tip M8-L30-AD10 CuCrZr 1,0 |
| 70 | 83012401 | Contact tip M8-L30-AD10 CuCrZr 1,2 |
| 70 | 83014401 | Contact tip M8-L30-AD10 CuCrZr 1,4 |
| 70 | 83008301 | Contact tip M8-L30-AD10 0,8 nickel-plated |
| 70 | 83010301 | Contact tip M8-L30-AD10 1,0 nickel-plated |
| 70 | 83012301 | Contact tip M8-L30-AD10 1,2 nickel-plated |
| 70 | 83014301 | Contact tip M8-L30-AD10 1,4 nickel-plated |
| 70 | 83008a01 | Contact tip M8-L30-D10 0,8-A for aluminium wire |
| 70 | 83010a01 | Contact tip M8-L30-D10 1,0-A for aluminium wire |
| 70 | 83012a01 | Contact tip M8-L30-D10 1,2-A for aluminium wire |
| 80 | 35193101 | Screwable gas nozzle M18 conical-ID14mm with nozzle insulator |
| 81 | 35193001 | Screwable gas nozzle M18 conical-ID17mm with nozzle insulator |
| 82 | 35193301 | Screwable gas nozzle M18 cylindric-ID21mm with nozzle insulator |
| Spirals and liners also available in other sizes on inquiry! | | |
| 90 | 15451311 | Guide spiral-line blue ID1,5-AD4,5 fits 3m / EURO central adapter |
| 90 | 15451411 | Guide spiral-line blue ID1,5-AD4,5 fits 4m / EURO central adapter |
| 90 | 15451511 | Guide spiral-line blue ID1,5-AD4,5 fits 5m / EURO central adapter |
| 90 | 20451311 | Guide spiral-line red ID2,0-AD4,5 fits 3m / EURO central adapter |
| 90 | 20451411 | Guide spiral-line red ID2,0-AD4,5 fits 4m / EURO central adapter |
| 90 | 20451511 | Guide spiral-line red ID2,0-AD4,5 fits 5m / EURO central adapter |
| 92 | 20393311 | PTFE-carbon core liner ID2,0-AD3,9 fits 3m / EURO central adapter |
| 92 | 20393411 | PTFE-carbon core liner ID2,0-AD3,9 fits 4m / EURO central adapter |
| 92 | 20393511 | PTFE-carbon core liner ID2,0-AD3,9 fits 5m / EURO central adapter |
| 92 | 20406311 | PA-core liner black ID2,0-AD4,0 fits 3m / EURO central adapter |
| 92 | 20406411 | PA-core liner black ID2,0-AD4,0 fits 4m / EURO central adapter |

Welding-torch MIG-MAG gas-cooled**320A at 60% duty cycle (CO2) - 300A at 60% duty cycle (mixed gas)**

| Art.-No. | | |
|-----------------|----------|----------------------------------------------------------------|
| 92 | 20406511 | PA-core liner black ID2,0-AD4,0 fits 5m / EURO central adapter |
| N.i. | 20405002 | Brass spiral liner blue L300mm IG fits AD3,9/4,0mm |
| 95 | 91905721 | Nipple fits spiral liner EURO central adapter AD 4,5mm |
| 96 | 91906111 | Nipple fits core liner EURO central adapter AD3,9/4,0mm |
| 97 | 91906131 | O-ring ID3,5-W1,5 fits core liners |
| N.i. | 91906112 | Support tube, brass ID4,4 - AD5,0 - L200mm |

Torch MHS BOB-45g gas-cooled

The factory standard gear is marked in red.



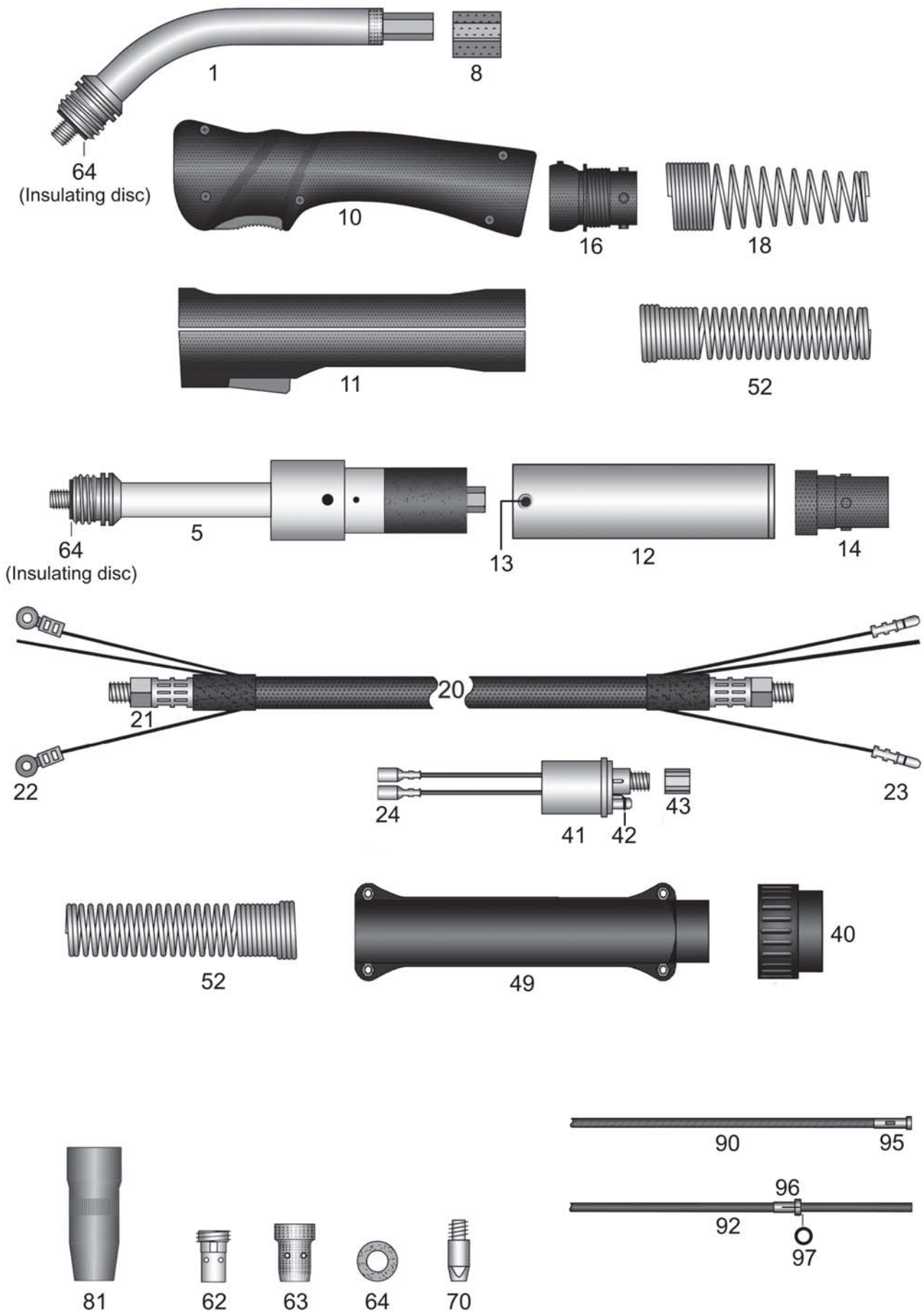
Holch Schweißbrenner GmbH
Bühlstraße 14
D-57080 Siegen

Phone: +49(0)271 387860-11
Telefax: +49(0)271 387860-29
E-Mail: info@holch-siegen.de
Web: www.holch-siegen.de



MHS BOB - 45g gas-cooled

320 Ampere at 60% duty cycle (CO₂) - 300 Ampere at 60% duty cycle (mixed gas)



HSN 906

Welding-torch MIG-MAG gas-cooled**320A at 60% duty cycle (CO2) - 300A at 60% duty cycle (mixed gas)****Art.-No.****Spare parts as torch MHS BOB-450w water-cooled**

| | |
|----------|-------------------------------------------------------------------------|
| 45g00311 | Torch MHS BOB-45g / 3m EURO central adapter 42mm ² |
| 45g00411 | Torch MHS BOB-45g / 4m EURO central adapter 42mm ² |
| 45g00511 | Torch MHS BOB-45g / 5m EURO central adapter 42mm ² |
| 45g50311 | AUTomatic-torch MHS BOB-45g / 3m EURO central adapter 42mm ² |

**For torches without EURO central-adaptor the following prices apply.
Please note that for some special machine side connections surcharges may arise,
which you will find in the appendix "A" custom made products.**

| | |
|----------|----------------------------------------------------|
| 45g00301 | Torch MHS BOB-45g / 3m 42mm ² |
| 45g00401 | Torch MHS BOB-45g / 4m 42mm ² |
| 45g00501 | Torch MHS BOB-45g / 5m 42mm ² |
| 45g50301 | AUTomatic-torch MHS BOB-45g / 3m 42mm ² |

Special lengths for hand- and AUTomatic-torches please notice appendix "B".

| | |
|---------------|-----------------------------------------------------------|
| pg000001 | Surcharge: Pistol-shape-handle / stabilizer |
| N.i. 91912453 | Heat protection shield for pistol handle, screws included |
| 29004602 | Surcharge: Torch body with custom bending |

Torch body and AUTomatic torch body with teflon insulation, brazen outer tube with cooling ribs, very massive power conduit, front ceramic insulation, complete with insulator and contact tip holder M8.

| | | |
|------|----------|----------------------------------------------------------------|
| 1 | 45g91001 | Swab neck MHS BOB-45g |
| N.i. | 30405001 | Surcharge: with brazen inner tube ID3-AD4mm for aluminium wire |
| 5 | 45g91501 | AUTomatic-torch body MHS BOB-45g |
| 8 | 15912301 | Polyamid-torch body |

Handles complete with switch, screws and ball joint

| | | |
|------|----------|--------------------------------------------------------------------------|
| 10 | 91912535 | Ratio-handle 18mm with ball joint |
| 10 | 91912435 | Ratio-handle 18mm standard (without ball joint) |
| N.i. | 91912438 | Ratio microswitch DC2 also fits RAUCH handle |
| N.i. | 91912439 | Push button red for Ratio handle also fits RAUCH handle |
| N.i. | 91912441 | Ratio spring fits button Ratio grip handle |
| 11 | 91912102 | Industry-handle 18mm with ball joint |
| 11 | 91912331 | Industry-handle 18mm standard (without ball joint) |
| N.i. | 91920411 | Switch-set fits industry-handle for 16/18/20mm (11 parts) |
| N.i. | 91920702 | Screw M3x11,5mm fits Ratio/Industry/RAUCH handle and cable support |
| N.i. | 91920703 | M3 mounting socket fits Ratio/Industry/RAUCH handle and cable support |
| 12 | 91912901 | AUT handle tube, brass-cladded AD38mm for AUT-torch rubber cable support |
| 13 | 91912911 | Holding screw M4x6mm fits AUT handle tube |
| 14 | 50191251 | Rubber cable-support RETRO |
| 16 | 91912704 | Spring socket pistol side fits handle with ball joint |
| 18 | 91912503 | Cable support spring handle-side for torches with ball joint |
| 20 | 36921311 | Coaxial-cable 42mm ² / 3m fits EURO central adapter |
| 20 | 36921411 | Coaxial-cable 42mm ² / 4m fits EURO central adapter |
| 20 | 36921511 | Coaxial-cable 42mm ² / 5m fits EURO central adapter |

Welding-torch MIG-MAG gas-cooled**320A at 60% duty cycle (CO₂) - 300A at 60% duty cycle (mixed gas)**

| Art.-No. | | |
|---------------------------------------------------------------------|----------|-----------------------------------------------------------------------|
| 21 | 15912211 | Lock-nut M10x1-L9,5mm for coaxial-cable |
| 22 | 91902811 | Cable-plug fits industry-handle |
| 23 | 91902901 | Male connector cable-plug for machine side EURO central adapter |
| 24 | 91903001 | Female connector cable-plug fits machine side EURO central adapter |
| 40 | 91900701 | Terminal nut insulated fits EURO central adapter |
| 41 | 91900101 | Central adapter fixed contact-pins EURO central adapter |
| 41 | 91900106 | Central adapter spring contact-pins EURO central adapter |
| 42 | 91900801 | O-ring ID4-W1mm fits gas-nipple EURO central adapter |
| 43 | 91900901 | Coupling nut IT-M10x1 (rounded edges) fits EURO central adapter |
| 49 | 91900561 | Cable support machine side (screws included) EURO central adapter |
| N.i. | 91920702 | Screw M3x11,5mm fits Ratio/Industry/RAUCH handle and cable support |
| N.i. | 91920703 | M3 mounting socket fits Ratio/Industry/RAUCH handle and cable support |
| N.i. | 91900601 | Attachment screw M4x6mm fits cable support EURO central adapter |
| 52 | 91912502 | Cable support spring fits handles without ball joint and for EURO |
| 62 | 50198001 | Contact tip holder IT-M8 AG-M16x1-L25mm |
| 63 | 50191201 | Gas diffusor Keripol white |
| 63 | 50191204 | HT-gasdiffusor black power |
| 63 | 50191203 | Ceramic-gas diffusor |
| 64 | 50191241 | Insulator |
| 70 | 83008001 | Contact tip M8-L30-AD10 0,8 |
| 70 | 83010001 | Contact tip M8-L30-AD10 1,0 |
| 70 | 83012001 | Contact tip M8-L30-AD10 1,2 |
| 70 | 83014001 | Contact tip M8-L30-AD10 1,4 |
| 70 | 83010401 | Contact tip M8-L30-AD10 CuCrZr 1,0 |
| 70 | 83012401 | Contact tip M8-L30-AD10 CuCrZr 1,2 |
| 70 | 83014401 | Contact tip M8-L30-AD10 CuCrZr 1,4 |
| 70 | 83008301 | Contact tip M8-L30-AD10 0,8 nickel-plated |
| 70 | 83010301 | Contact tip M8-L30-AD10 1,0 nickel-plated |
| 70 | 83012301 | Contact tip M8-L30-AD10 1,2 nickel-plated |
| 70 | 83014301 | Contact tip M8-L30-AD10 1,4 nickel-plated |
| 70 | 83008a01 | Contact tip M8-L30-D10 0,8-A for aluminium wire |
| 70 | 83010a01 | Contact tip M8-L30-D10 1,0-A for aluminium wire |
| 70 | 83012a01 | Contact tip M8-L30-D10 1,2-A for aluminium wire |
| 81 | 45093001 | Screwable gas nozzle conical-ID16mm |
| Spirals and liners also available in other sizes on inquiry! | | |
| 90 | 15451311 | Guide spiral-line blue ID1,5-AD4,5 fits 3m / EURO central adapter |
| 90 | 15451411 | Guide spiral-line blue ID1,5-AD4,5 fits 4m / EURO central adapter |
| 90 | 15451511 | Guide spiral-line blue ID1,5-AD4,5 fits 5m / EURO central adapter |
| 90 | 20451311 | Guide spiral-line red ID2,0-AD4,5 fits 3m / EURO central adapter |
| 90 | 20451411 | Guide spiral-line red ID2,0-AD4,5 fits 4m / EURO central adapter |
| 90 | 20451511 | Guide spiral-line red ID2,0-AD4,5 fits 5m / EURO central adapter |
| 92 | 20393311 | PTFE-carbon core liner ID2,0-AD3,9 fits 3m / EURO central adapter |
| 92 | 20393411 | PTFE-carbon core liner ID2,0-AD3,9 fits 4m / EURO central adapter |
| 92 | 20393511 | PTFE-carbon core liner ID2,0-AD3,9 fits 5m / EURO central adapter |

Welding-torch MIG-MAG gas-cooled**320A at 60% duty cycle (CO2) - 300A at 60% duty cycle (mixed gas)**

| Art.-No. | | |
|-----------------|----------|----------------------------------------------------------------|
| 92 | 20406311 | PA-core liner black ID2,0-AD4,0 fits 3m / EURO central adapter |
| 92 | 20406411 | PA-core liner black ID2,0-AD4,0 fits 4m / EURO central adapter |
| 92 | 20406511 | PA-core liner black ID2,0-AD4,0 fits 5m / EURO central adapter |
| N.i. | 20405002 | Brass spiral liner blue L300mm IG fits AD3,9/4,0mm |
| 95 | 91905721 | Nipple fits spiral liner EURO central adapter AD 4,5mm |
| 96 | 91906111 | Nipple fits core liner EURO central adapter AD3,9/4,0mm |
| 97 | 91906131 | O-ring ID3,5-W1,5 fits core liners |
| N.i. | 91906112 | Support tube, brass ID4,4 - AD5,0 - L200mm |

Torch MHS 60 gas-cooled

The factory standard gear is marked in red.



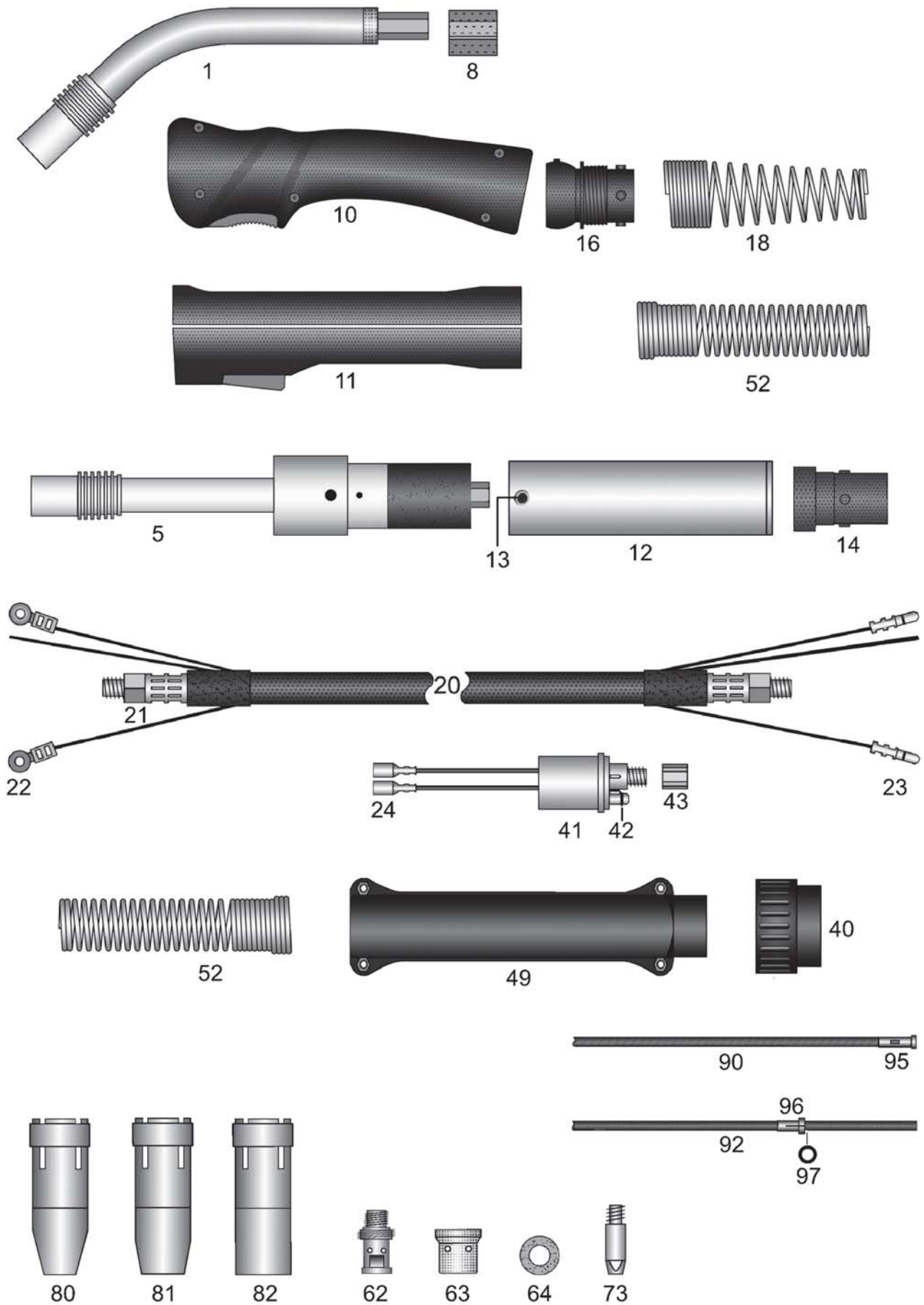
Holch Schweißbrenner GmbH
Bühlstraße 14
D-57080 Siegen

Phone: +49(0)271 387860-11
Telefax: +49(0)271 387860-29
E-Mail: info@holch-siegen.de
Web: www.holch-siegen.de

MHS 60 gas-cooled



320 Ampere at 60% duty cycle (CO₂) - 300 Ampere at 60% duty cycle (mixed gas)



HSN 540

Welding-torch MIG-MAG gas-cooled**320A at 60% duty cycle (CO2) - 300A at 60% duty cycle (mixed gas)****Art.-No.****Spare parts as torch MHS KONSUL-600 water-cooled**

| | |
|----------|--------------------------------------------------------------------|
| 60200311 | Torch MHS 60 / 3m EURO central adapter 42mm ² |
| 60200411 | Torch MHS 60 / 4m EURO central adapter 42mm ² |
| 60200511 | Torch MHS 60 / 5m EURO central adapter 42mm ² |
| 60250311 | AUTomatic-torch MHS 60 / 3m EURO central adapter 42mm ² |

**For torches without EURO central-adaptor the following prices apply.
Please note that for some special machine side connections surcharges may arise,
which you will find in the appendix "A" custom made products.**

| | |
|----------|-----------------------------------------------|
| 60200301 | Torch MHS 60 / 3m 42mm ² |
| 60200401 | Torch MHS 60 / 4m 42mm ² |
| 60200501 | Torch MHS 60 / 5m 42mm ² |
| 60250301 | AUTomatic-torch MHS 60 / 3m 42mm ² |

Special lengths for hand- and AUTomatic-torches please notice appendix "B".

| | |
|---------------|-----------------------------------------------------------|
| pg000001 | Surcharge: Pistol-shape-handle / stabilizer |
| N.i. 91912453 | Heat protection shield for pistol handle, screws included |
| 29004602 | Surcharge: Torch body with custom bending |

Torch body and AUTomatic torch body with teflon insulation, nickel coated brazen outer tube with cooling ribs, very massive power conduit, front ceramic insulation, complete with insulator and contact tip holder M8.

| | | |
|------|----------|----------------------------------------------------------------|
| 1 | 60910001 | Swan neck |
| N.i. | 30405001 | Surcharge: with brazen inner tube ID3-AD4mm for aluminium wire |
| 5 | 60291501 | AUTomatic-torch body |
| 8 | 15912301 | Polyamid-torch body |

Handles complete with switch, screws and ball joint

| | | |
|------|----------|--------------------------------------------------------------------------|
| 10 | 91912535 | Ratio-handle 18mm with ball joint |
| 10 | 91912435 | Ratio-handle 18mm standard (without ball joint) |
| N.i. | 91912438 | Ratio microswitch DC2 also fits RAUCH handle |
| N.i. | 91912439 | Push button red for Ratio handle also fits RAUCH handle |
| N.i. | 91912441 | Ratio spring fits button Ratio grip handle |
| 11 | 91912102 | Industry-handle 18mm with ball joint |
| 11 | 91912331 | Industry-handle 18mm standard (without ball joint) |
| N.i. | 91920411 | Switch-set fits industry-handle for 16/18/20mm (11 parts) |
| N.i. | 91920702 | Screw M3x11,5mm fits Ratio/Industry/RAUCH handle and cable support |
| N.i. | 91920703 | M3 mounting socket fits Ratio/Industry/RAUCH handle and cable support |
| 12 | 91912901 | AUT handle tube, brass-cladded AD38mm for AUT-torch rubber cable support |
| 13 | 91912911 | Holding screw M4x6mm fits AUT handle tube |
| 14 | 50191251 | Rubber cable-support RETRO |
| 16 | 91912704 | Spring socket pistol side fits handle with ball joint |
| 18 | 91912503 | Cable support spring handle-side for torches with ball joint |
| 20 | 36921311 | Coaxial-cable 42mm ² / 3m fits EURO central adapter |
| 20 | 36921411 | Coaxial-cable 42mm ² / 4m fits EURO central adapter |
| 20 | 36921511 | Coaxial-cable 42mm ² / 5m fits EURO central adapter |

Welding-torch MIG-MAG gas-cooled**320A at 60% duty cycle (CO₂) - 300A at 60% duty cycle (mixed gas)**

| Art.-No. | | |
|---------------------------------------------------------------------|----------|-----------------------------------------------------------------------|
| 21 | 15912211 | Lock-nut M10x1-L9,5mm for coaxial-cable |
| 22 | 91902811 | Cable-plug fits industry-handle |
| 23 | 91902901 | Male connector cable-plug for machine side EURO central adapter |
| 24 | 91903001 | Female connector cable-plug fits machine side EURO central adapter |
| 40 | 91900701 | Terminal nut insulated fits EURO central adapter |
| 41 | 91900101 | Central adapter fixed contact-pins EURO central adapter |
| 41 | 91900106 | Central adapter spring contact-pins EURO central adapter |
| 42 | 91900801 | O-ring ID4-W1mm fits gas-nipple EURO central adapter |
| 43 | 91900901 | Coupling nut IT-M10x1 (rounded edges) fits EURO central adapter |
| 49 | 91900561 | Cable support machine side (screws included) EURO central adapter |
| N.i. | 91920702 | Screw M3x11,5mm fits Ratio/Industry/RAUCH handle and cable support |
| N.i. | 91920703 | M3 mounting socket fits Ratio/Industry/RAUCH handle and cable support |
| N.i. | 91900601 | Attachment screw M4x6mm fits cable support EURO central adapter |
| 52 | 91912502 | Cable support spring fits handles without ball joint and for EURO |
| 62 | 60098011 | Contact tip holder IT-M8 material: Copper, complete with insulator |
| 62 | 60098012 | Contact tip holder IT-M8 material: Brass, complete with insulator |
| 63 | 60091201 | Gas diffusor |
| 64 | 60091211 | Insulator |
| 73 | 83610401 | HD-contact tip M8-L36-AD10 CuCrZr 1,0 |
| 73 | 83612401 | HD-contact tip M8-L36-AD10 CuCrZr 1,2 |
| 73 | 83614401 | HD-contact tip M8-L36-AD10 CuCrZr 1,4 |
| 73 | 83608a41 | HD-contact tip M8-L36-D10 CuCrZr 0,8-A for aluminium wire |
| 73 | 83610a41 | HD-contact tip M8-L36-D10 CuCrZr 1,0-A for aluminium wire |
| 73 | 83612a41 | HD-contact tip M8-L36-D10 CuCrZr 1,2-A for aluminium wire |
| 80 | 60093011 | HD-gas nozzle conical-ID14mm |
| 81 | 60093001 | HD-gas nozzle conical-ID17mm |
| 82 | 60093301 | Gas nozzle cylindric-ID21mm |
| Spirals and liners also available in other sizes on inquiry! | | |
| 90 | 15451311 | Guide spiral-line blue ID1,5-AD4,5 fits 3m / EURO central adapter |
| 90 | 15451411 | Guide spiral-line blue ID1,5-AD4,5 fits 4m / EURO central adapter |
| 90 | 15451511 | Guide spiral-line blue ID1,5-AD4,5 fits 5m / EURO central adapter |
| 90 | 20451311 | Guide spiral-line red ID2,0-AD4,5 fits 3m / EURO central adapter |
| 90 | 20451411 | Guide spiral-line red ID2,0-AD4,5 fits 4m / EURO central adapter |
| 90 | 20451511 | Guide spiral-line red ID2,0-AD4,5 fits 5m / EURO central adapter |
| 92 | 20393311 | PTFE-carbon core liner ID2,0-AD3,9 fits 3m / EURO central adapter |
| 92 | 20393411 | PTFE-carbon core liner ID2,0-AD3,9 fits 4m / EURO central adapter |
| 92 | 20393511 | PTFE-carbon core liner ID2,0-AD3,9 fits 5m / EURO central adapter |
| 92 | 20406311 | PA-core liner black ID2,0-AD4,0 fits 3m / EURO central adapter |
| 92 | 20406411 | PA-core liner black ID2,0-AD4,0 fits 4m / EURO central adapter |
| 92 | 20406511 | PA-core liner black ID2,0-AD4,0 fits 5m / EURO central adapter |
| N.i. | 20405002 | Brass spiral liner blue L300mm IG fits AD3,9/4,0mm |
| 95 | 91905721 | Nipple fits spiral liner EURO central adapter AD 4,5mm |

Welding-torch MIG-MAG gas-cooled**320A at 60% duty cycle (CO2) - 300A at 60% duty cycle (mixed gas)**

| Art.-No. | | |
|-----------------|----------|---------------------------------------------------------|
| 96 | 91906111 | Nipple fits core liner EURO central adapter AD3,9/4,0mm |
| 97 | 91906131 | O-ring ID3,5-W1,5 fits core liners |
| N.i. | 91906112 | Support tube, brass ID4,4 - AD5,0 - L200mm |

Torch MHS 61 gas-cooled

Very massive power conduit, gas nozzle screwable

The factory standard gear is marked in red.



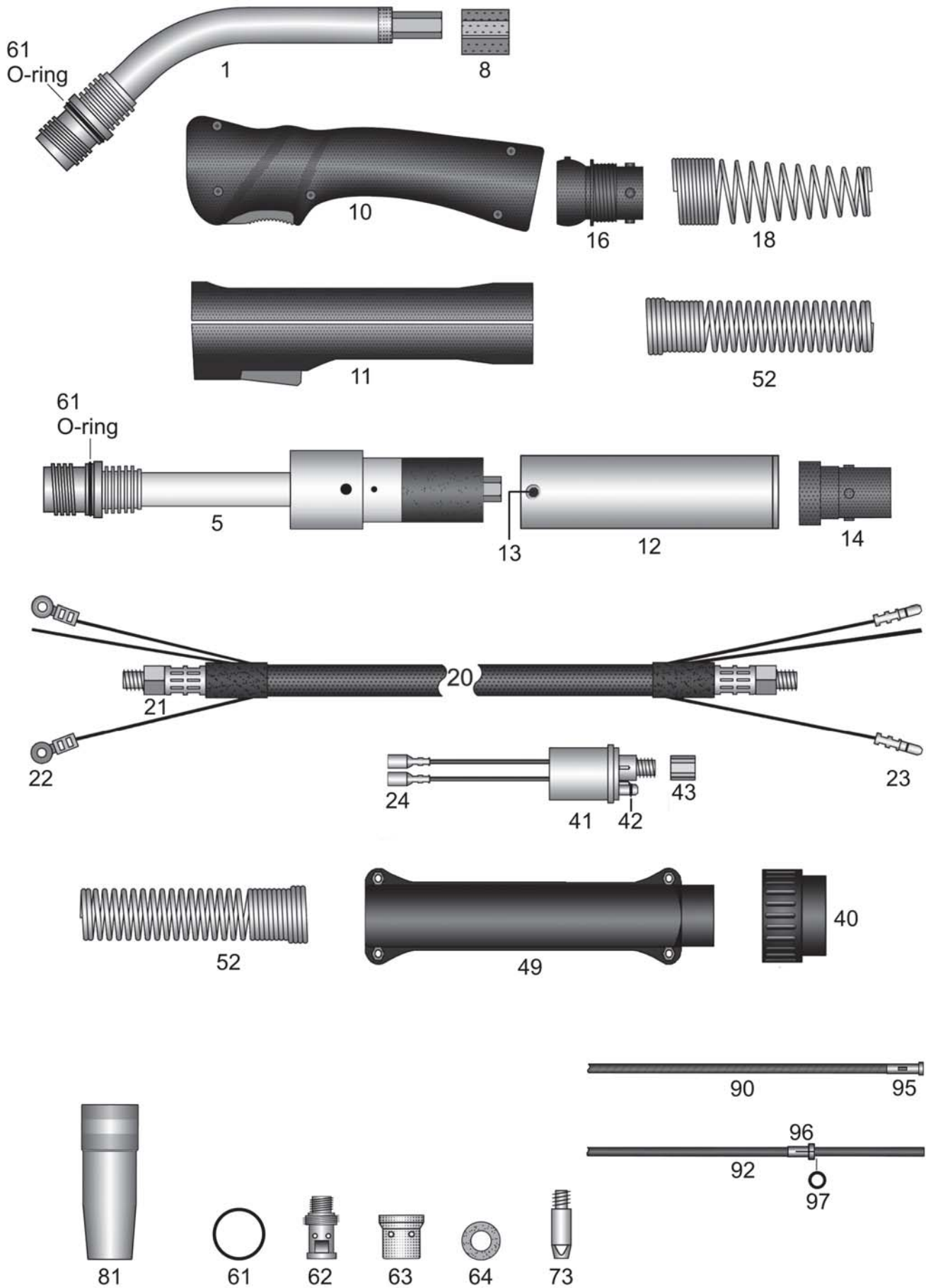
Holch Schweißbrenner GmbH
Bühlstraße 14
D-57080 Siegen

Phone: +49(0)271 387860-11
Telefax: +49(0)271 387860-29
E-Mail: info@holch-siegen.de
Web: www.holch-siegen.de



MHS 61 gas-cooled

400 Ampere at 60% duty cycle (CO₂) - 370 Ampere at 60% duty cycle (mixed gas)



HSN 898

Welding-torch MIG-MAG gas-cooled

400A at 60% duty cycle (CO₂) - 370A at 60% duty cycle (mixed gas)**Art.-No.****On customer request, the burner can also be equipped with a lighter 50mm² coaxial cable!****Spare parts as torch MHS KONSUL-601 water-cooled**

| | |
|----------|--------------------------------------------------------------------|
| 61000311 | Torch MHS 61 / 3m EURO central adapter 63mm ² |
| 61000411 | Torch MHS 61 / 4m EURO central adapter 63mm ² |
| 61000511 | Torch MHS 61 / 5m EURO central adapter 63mm ² |
| 61500311 | AUTomatic-torch MHS 61 / 3m EURO central adapter 63mm ² |

**For torches without EURO central-adaptor the following prices apply.
Please note that for some special machine side connections surcharges may arise,
which you will find in the appendix "A" custom made products.**

| | |
|----------|-----------------------------------------------|
| 61000301 | Torch MHS 61 / 3m 63mm ² |
| 61000401 | Torch MHS 61 / 4m 63mm ² |
| 61000501 | Torch MHS 61 / 5m 63mm ² |
| 61500301 | AUTomatic-torch MHS 61 / 3m 63mm ² |

Special lengths for hand- and AUTomatic-torches please notice appendix "B".

| | |
|---------------|-----------------------------------------------------------|
| pg000001 | Surcharge: Pistol-shape-handle / stabilizer |
| N.i. 91912453 | Heat protection shield for pistol handle, screws included |
| 29004602 | Surcharge: Torch body with custom bending |

Torch body and AUTomatic torch body with teflon insulation, nickel coated brazen outer tube with cooling ribs, very massive power conduit, front ceramic insulation, complete with insulator and contact tip holder M8.

| | | |
|------|----------|----------------------------------------------------------------|
| 1 | 61910001 | Swan neck fits gas nozzle screwable |
| N.i. | 30405001 | Surcharge: with brazen inner tube ID3-AD4mm for aluminium wire |
| 5 | 61915001 | AUTomatic-torch body fits gas nozzle screwable |
| 8 | 15912301 | Polyamid-torch body |

Handles complete with switch, screws and ball joint

| | | |
|------|----------|-----------------------------------------------------------------------|
| 10 | 91912535 | Ratio-handle 18mm with ball joint |
| 10 | 91912435 | Ratio-handle 18mm standard (without ball joint) |
| N.i. | 91912438 | Ratio microswitch DC2 also fits RAUCH handle |
| N.i. | 91912439 | Push button red for Ratio handle also fits RAUCH handle |
| N.i. | 91912441 | Ratio spring fits button Ratio grip handle |
| 11 | 91912102 | Industry-handle 18mm with ball joint |
| 11 | 91912331 | Industry-handle 18mm standard (without ball joint) |
| N.i. | 91920411 | Switch-set fits industry-handle for 16/18/20mm (11 parts) |
| N.i. | 91920702 | Screw M3x11,5mm fits Ratio/Industry/RAUCH handle and cable support |
| N.i. | 91920703 | M3 mounting socket fits Ratio/Industry/RAUCH handle and cable support |

| | | |
|----|----------|--------------------------------------------------------------------------|
| 12 | 91912901 | AUT handle tube, brass-cladded AD38mm for AUT-torch rubber cable support |
| 13 | 91912911 | Holding screw M4x6mm fits AUT handle tube |
| 14 | 50191251 | Rubber cable-support RETRO |

| | | |
|----|----------|--------------------------------------------------------------|
| 16 | 91912704 | Spring socket pistol side fits handle with ball joint |
| 18 | 91912503 | Cable support spring handle-side for torches with ball joint |

| | | |
|----|----------|----------------------------------------------------------------|
| 20 | 61920311 | Coaxial-cable 63mm ² / 3m fits EURO central adapter |
| 20 | 61920411 | Coaxial-cable 63mm ² / 4m fits EURO central adapter |

Welding-torch MIG-MAG gas-cooled

400A at 60% duty cycle (CO₂) - 370A at 60% duty cycle (mixed gas)

| Art.-No. | | |
|---------------------------------------------------------------------|----------|-------------------------------------------------------------------------|
| 20 | 61920511 | Coaxial-cable 63mm ² / 5m fits EURO central adapter |
| 21 | 15912211 | Lock-nut M10x1-L9,5mm for coaxial-cable |
| 22 | 91902811 | Cable-plug fits industry-handle |
| 23 | 91902901 | Male connector cable-plug for machine side EURO central adapter |
| 24 | 91903001 | Female connector cable-plug fits machine side EURO central adapter |
| 40 | 91900701 | Terminal nut insulated fits EURO central adapter |
| 41 | 91900101 | Central adapter fixed contact-pins EURO central adapter |
| 41 | 91900106 | Central adapter spring contact-pins EURO central adapter |
| 42 | 91900801 | O-ring ID4-W1mm fits gas-nipple EURO central adapter |
| 43 | 91900901 | Coupling nut IT-M10x1 (rounded edges) fits EURO central adapter |
| 49 | 91900561 | Cable support machine side (screws included) EURO central adapter |
| N.i. | 91920702 | Screw M3x11,5mm fits Ratio/Industry/RAUCH handle and cable support |
| N.i. | 91920703 | M3 mounting socket fits Ratio/Industry/RAUCH handle and cable support |
| N.i. | 91900601 | Attachment screw M4x6mm fits cable support EURO central adapter |
| 52 | 91912502 | Cable support spring fits handles without ball joint and for EURO |
| 61 | 91914901 | O-ring ID20,35-W1,78mm |
| 62 | 60098011 | Contact tip holder IT-M8 material: Copper, complete with insulator |
| 62 | 60098012 | Contact tip holder IT-M8 material: Brass, complete with insulator |
| 63 | 60091201 | Gas diffusor |
| 64 | 60091211 | Insulator |
| 73 | 83610401 | HD-contact tip M8-L36-AD10 CuCrZr 1,0 |
| 73 | 83612401 | HD-contact tip M8-L36-AD10 CuCrZr 1,2 |
| 73 | 83614401 | HD-contact tip M8-L36-AD10 CuCrZr 1,4 |
| 73 | 83616401 | HD-contact tip M8-L36-AD10 CuCrZr 1,6 |
| 73 | 83608a41 | HD-contact tip M8-L36-D10 CuCrZr 0,8-A for aluminium wire |
| 73 | 83610a41 | HD-contact tip M8-L36-D10 CuCrZr 1,0-A for aluminium wire |
| 73 | 83612a41 | HD-contact tip M8-L36-D10 CuCrZr 1,2-A for aluminium wire |
| 73 | 83618301 | HD-contact tip M8-L36-D10 1,6A nickel-plated for aluminium wire |
| 81 | 60193001 | Screwable gas nozzle conical-ID17mm |
| Spirals and liners also available in other sizes on inquiry! | | |
| 90 | 15451311 | Guide spiral-line blue ID1,5-AD4,5 fits 3m / EURO central adapter |
| 90 | 15451411 | Guide spiral-line blue ID1,5-AD4,5 fits 4m / EURO central adapter |
| 90 | 15451511 | Guide spiral-line blue ID1,5-AD4,5 fits 5m / EURO central adapter |
| 90 | 20451311 | Guide spiral-line red ID2,0-AD4,5 fits 3m / EURO central adapter |
| 90 | 20451411 | Guide spiral-line red ID2,0-AD4,5 fits 4m / EURO central adapter |
| 90 | 20451511 | Guide spiral-line red ID2,0-AD4,5 fits 5m / EURO central adapter |
| 90 | 23481311 | Spiral-liner green ID2,3-AD4,8 fits 3m / EURO central adapter |
| 90 | 23481411 | Spiral-liner green ID2,3-AD4,8 fits 4m / EURO central adapter |
| 90 | 23481511 | Spiral-liner green ID2,3-AD4,8 fits 5m / EURO central adapter |
| 90 | 25451311 | Flatwire spiral-liner yellow ID2,5-AD4,5 fits 3m / EURO central adapter |
| 90 | 25451411 | Flatwire spiral-liner yellow ID2,5-AD4,5 fits 4m / EURO central adapter |
| 90 | 25451511 | Flatwire spiral-liner yellow ID2,5-AD4,5 fits 5m / EURO central adapter |

Welding-torch MIG-MAG gas-cooled**400A at 60% duty cycle (CO2) - 370A at 60% duty cycle (mixed gas)**

| Art.-No. | | |
|-----------------|----------|-------------------------------------------------------------------|
| 92 | 20393311 | PTFE-carbon core liner ID2,0-AD3,9 fits 3m / EURO central adapter |
| 92 | 20393411 | PTFE-carbon core liner ID2,0-AD3,9 fits 4m / EURO central adapter |
| 92 | 20393511 | PTFE-carbon core liner ID2,0-AD3,9 fits 5m / EURO central adapter |
| 92 | 20406311 | PA-core liner black ID2,0-AD4,0 fits 3m / EURO central adapter |
| 92 | 20406411 | PA-core liner black ID2,0-AD4,0 fits 4m / EURO central adapter |
| 92 | 20406511 | PA-core liner black ID2,0-AD4,0 fits 5m / EURO central adapter |
| N.i. | 20405002 | Brass spiral liner blue L300mm IG fits AD3,9/4,0mm |
| 95 | 91905721 | Nipple fits spiral liner EURO central adapter AD 4,5mm |
| 96 | 91906111 | Nipple fits core liner EURO central adapter AD3,9/4,0mm |
| 97 | 91906131 | O-ring ID3,5-W1,5 fits core liners |
| N.i. | 91906112 | Support tube, brass ID4,4 - AD5,0 - L200mm |

Torch MHS 82-D gas-cooled

The factory standard gear is marked in red.



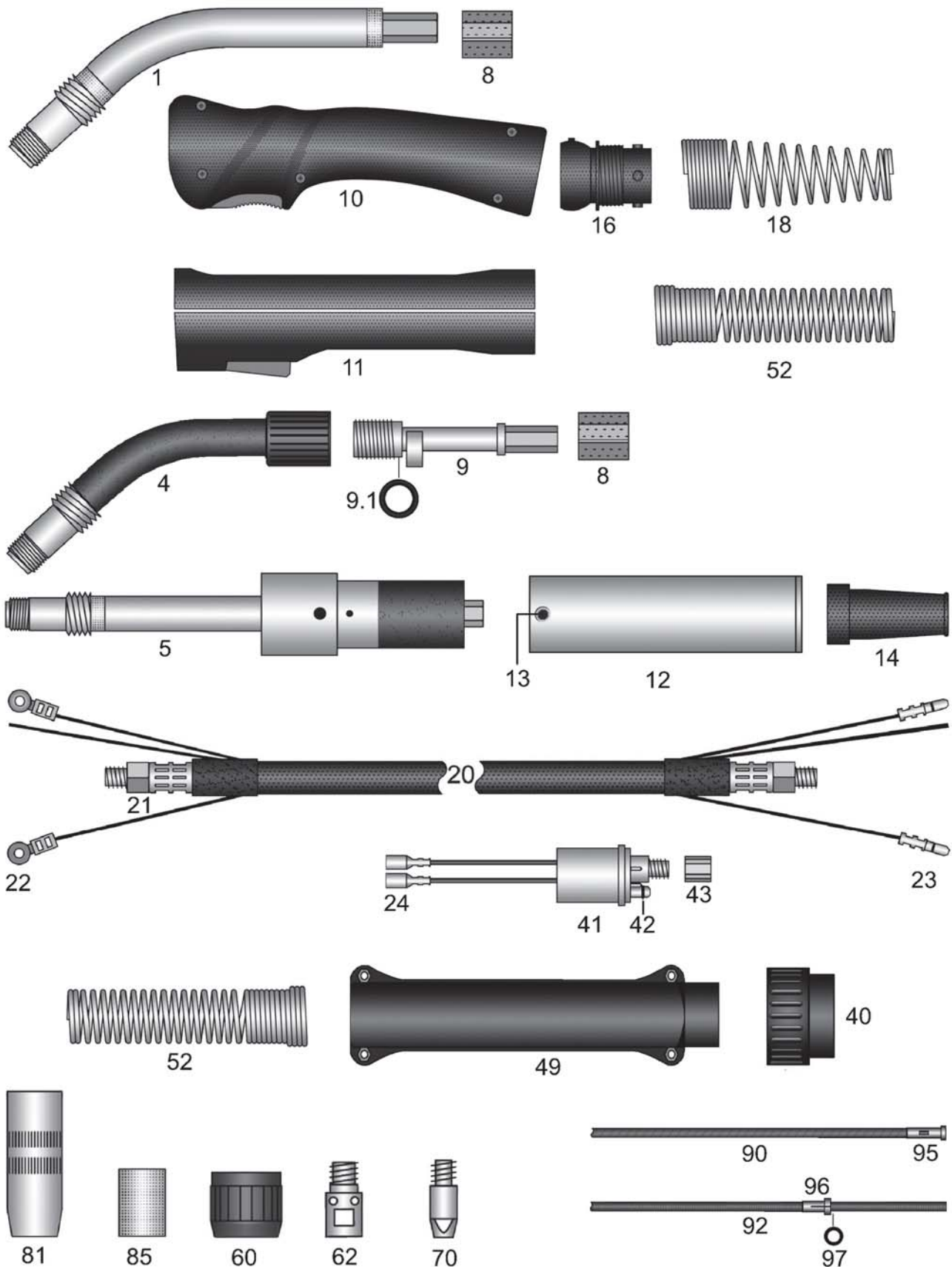
Holch Schweißbrenner GmbH
Bühlstraße 14
D-57080 Siegen

Phone: +49(0)271 387860-11
Telefax: +49(0)271 387860-29
E-Mail: info@holch-siegen.de
Web: www.holch-siegen.de



MHS 82-D gas-cooled

250 Ampere at 60% duty cycle (CO₂) - 200 Ampere at 60% duty cycle (mixed gas)



Operating instruction

Screw laminated fabric-tension sleeve right-hand thread (60) down until it goes no further. Then, screw down heavy duty insulating sleeve left-hand thread (85) until it goes no further. Slide the Gas nozzle (81) over the insulating sleeve (85). Now, screw back the laminated fabric-tension sleeve (60). The insulating sleeve (85) is hereby pushed outside and holds the gas nozzle.

HSN 125

Welding-torch MIG-MAG gas-cooled

250A at 60% duty cycle (CO₂) - 200A at 60% duty cycle (mixed gas)**Art.-No.****Spare parts as torch MHS 81-D water-cooled**82000311 Torch MHS 82-D / 3m EURO central adapter 25mm²82000411 Torch MHS 82-D / 4m EURO central adapter 25mm²82000511 Torch MHS 82-D / 5m EURO central adapter 25mm²82100311 DR Torch MHS 82-D / 3m EURO central adapter 25mm²82100411 DR Torch MHS 82-D / 4m EURO central adapter 25mm²82100511 DR Torch MHS 82-D / 5m EURO central adapter 25mm²82050311 AUTomatic-torch MHS 82-D / 3m EURO central adapter 25mm²82150311 DR AUTomatic-torch MHS 82-D / 3m EURO central adapter 25mm²

**For torches without EURO central-adaptor the following prices apply.
Please note that for some special machine side connections surcharges may arise,
which you will find in the appendix "A" custom made products.**

82000301 Torch MHS 82-D / 3m 25mm²82000401 Torch MHS 82-D / 4m 25mm²82000501 Torch MHS 82-D / 5m 25mm²82100301 DR Torch MHS 82-D / 3m 25mm²82100401 DR Torch MHS 82-D / 4m 25mm²82100501 DR Torch MHS 82-D / 5m 25mm²82050301 AUTomatic-torch MHS 82-D / 3m 25mm²82150301 DR AUTomatic-torch MHS 82-D / 3m 25mm²**Special lengths for hand- and AUTomatic-torches please notice appendix "B".**

pg000001 Surcharge: Pistol-shape-handle / stabilizer

N.i. 91912453 Heat protection shield for pistol handle, screws included

29004602 Surcharge: Torch body with custom bending

Torch body and AUTomatic torch body with teflon insulation, nickel coated brazen outer tube (DR bodies not nickel coated), very massive power conduit, complete with insulator and contact tip holder M8.

1 82091001 Swan neck

N.i. 30405001 Surcharge: with brazen inner tube ID3-AD4mm for aluminium wire

4 82191001 DR Swan neck MHS 82-D

5 82091501 AUTomatic-torch body

8 15912301 Polyamid-torch body

9 15912602 DR Torch body brass fits ratio handle

9 15912601 DR Torch body brass fits industry-handle

N.i. 15912651 Auxiliary torch body fits coaxial cable

9.1 91903604 O-ring ID19-W2,4mm

**Handles, complete with switch, screws and ball joint!
Handles with hole-20mm are for swivel neck torches (DR torches).**

10 91912535 Ratio-handle 18mm with ball joint

10 91912536 Ratio-handle 20mm with ball joint

10 91912435 Ratio-handle 18mm standard (without ball joint)

10 91912436 Ratio-handle 20mm standard (without ball joint)

Welding-torch MIG-MAG gas-cooled

250A at 60% duty cycle (CO₂) - 200A at 60% duty cycle (mixed gas)

| Art.-No. | | |
|----------|----------|--------------------------------------------------------------------------|
| N.i. | 91912438 | Ratio microswitch DC2 also fits RAUCH handle |
| N.i. | 91912439 | Push button red for Ratio handle also fits RAUCH handle |
| N.i. | 91912441 | Ratio spring fits button Ratio grip handle |
| 11 | 91912102 | Industry-handle 18mm with ball joint |
| 11 | 91912103 | Industry-handle 20mm with ball joint |
| 11 | 91912331 | Industry-handle 18mm standard (without ball joint) |
| 11 | 91912431 | Industry-handle 20mm standard (without ball joint) |
| N.i. | 91920411 | Switch-set fits industry-handle for 16/18/20mm (11 parts) |
| N.i. | 91920702 | Screw M3x11,5mm fits Ratio/Industry/RAUCH handle and cable support |
| N.i. | 91920703 | M3 mounting socket fits Ratio/Industry/RAUCH handle and cable support |
| 12 | 91912901 | AUT handle tube, brass-cladded AD38mm for AUT-torch rubber cable support |
| 13 | 91912911 | Holding screw M4x6mm fits AUT handle tube |
| 14 | 15912801 | Rubber cable-support small for coaxial-cable |
| 16 | 91912704 | Spring socket pistol side fits handle with ball joint |
| 18 | 91912503 | Cable support spring handle-side for torches with ball joint |
| 20 | 15920311 | Coaxial-cable 25mm ² / 3m fits EURO central adapter |
| 20 | 15920411 | Coaxial-cable 25mm ² / 4m fits EURO central adapter |
| 20 | 15920511 | Coaxial-cable 25mm ² / 5m fits EURO central adapter |
| 21 | 15912211 | Lock-nut M10x1-L9,5mm for coaxial-cable |
| 22 | 91902811 | Cable-plug fits industry-handle |
| 23 | 91902901 | Male connector cable-plug for machine side EURO central adapter |
| 24 | 91903001 | Female connector cable-plug fits machine side EURO central adapter |
| 40 | 91900701 | Terminal nut insulated fits EURO central adapter |
| 41 | 91900101 | Central adapter fixed contact-pins EURO central adapter |
| 41 | 91900106 | Central adapter spring contact-pins EURO central adapter |
| 42 | 91900801 | O-ring ID4-W1mm fits gas-nipple EURO central adapter |
| 43 | 91900901 | Coupling nut IT-M10x1 (rounded edges) fits EURO central adapter |
| 49 | 91900561 | Cable support machine side (screws included) EURO central adapter |
| N.i. | 91920702 | Screw M3x11,5mm fits Ratio/Industry/RAUCH handle and cable support |
| N.i. | 91920703 | M3 mounting socket fits Ratio/Industry/RAUCH handle and cable support |
| N.i. | 91900601 | Attachment screw M4x6mm fits cable support EURO central adapter |
| 52 | 91912502 | Cable support spring fits handles without ball joint and for EURO |
| 60 | 81912001 | Laminated fabric-tension sleeve right-hand thread |
| 62 | 92981001 | Contact tip holder IT-M8 AD13-L28mm |
| 70 | 83008001 | Contact tip M8-L30-AD10 0,8 |
| 70 | 83010001 | Contact tip M8-L30-AD10 1,0 |
| 70 | 83012001 | Contact tip M8-L30-AD10 1,2 |
| 70 | 83014001 | Contact tip M8-L30-AD10 1,4 |
| 70 | 83010401 | Contact tip M8-L30-AD10 CuCrZr 1,0 |
| 70 | 83012401 | Contact tip M8-L30-AD10 CuCrZr 1,2 |
| 70 | 83014401 | Contact tip M8-L30-AD10 CuCrZr 1,4 |
| 70 | 83008301 | Contact tip M8-L30-AD10 0,8 nickel-plated |
| 70 | 83010301 | Contact tip M8-L30-AD10 1,0 nickel-plated |
| 70 | 83012301 | Contact tip M8-L30-AD10 1,2 nickel-plated |
| 70 | 83014301 | Contact tip M8-L30-AD10 1,4 nickel-plated |

Welding-torch MIG-MAG gas-cooled

250A at 60% duty cycle (CO₂) - 200A at 60% duty cycle (mixed gas)

| Art.-No. | | |
|---------------------------------------------------------------------|-----------------|-------------------------------------------------------------------|
| 70 | 83008a01 | Contact tip M8-L30-D10 0,8-A for aluminium wire |
| 70 | 83010a01 | Contact tip M8-L30-D10 1,0-A for aluminium wire |
| 70 | 83012a01 | Contact tip M8-L30-D10 1,2-A for aluminium wire |
| 81 | 81931001 | Gas nozzle conical-ID17mm |
| 85 | 81912101 | Laminated fabric-tension sleeve left-hand thread |
| Spirals and liners also available in other sizes on inquiry! | | |
| 90 | 15451311 | Guide spiral-line blue ID1,5-AD4,5 fits 3m / EURO central adapter |
| 90 | 15451411 | Guide spiral-line blue ID1,5-AD4,5 fits 4m / EURO central adapter |
| 90 | 15451511 | Guide spiral-line blue ID1,5-AD4,5 fits 5m / EURO central adapter |
| 90 | 20451311 | Guide spiral-line red ID2,0-AD4,5 fits 3m / EURO central adapter |
| 90 | 20451411 | Guide spiral-line red ID2,0-AD4,5 fits 4m / EURO central adapter |
| 90 | 20451511 | Guide spiral-line red ID2,0-AD4,5 fits 5m / EURO central adapter |
| 92 | 20393311 | PTFE-carbon core liner ID2,0-AD3,9 fits 3m / EURO central adapter |
| 92 | 20393411 | PTFE-carbon core liner ID2,0-AD3,9 fits 4m / EURO central adapter |
| 92 | 20393511 | PTFE-carbon core liner ID2,0-AD3,9 fits 5m / EURO central adapter |
| 92 | 20406311 | PA-core liner black ID2,0-AD4,0 fits 3m / EURO central adapter |
| 92 | 20406411 | PA-core liner black ID2,0-AD4,0 fits 4m / EURO central adapter |
| 92 | 20406511 | PA-core liner black ID2,0-AD4,0 fits 5m / EURO central adapter |
| N.i. | 20405002 | Brass spiral liner blue L300mm IG fits AD3,9/4,0mm |
| 95 | 91905721 | Nipple fits spiral liner EURO central adapter AD 4,5mm |
| 96 | 91906111 | Nipple fits core liner EURO central adapter AD3,9/4,0mm |
| 97 | 91906131 | O-ring ID3,5-W1,5 fits core liners |
| N.i. | 91906112 | Support tube, brass ID4,4 - AD5,0 - L200mm |

Torch MHS Manni-164 gas-cooled

The factory standard gear is marked in red.



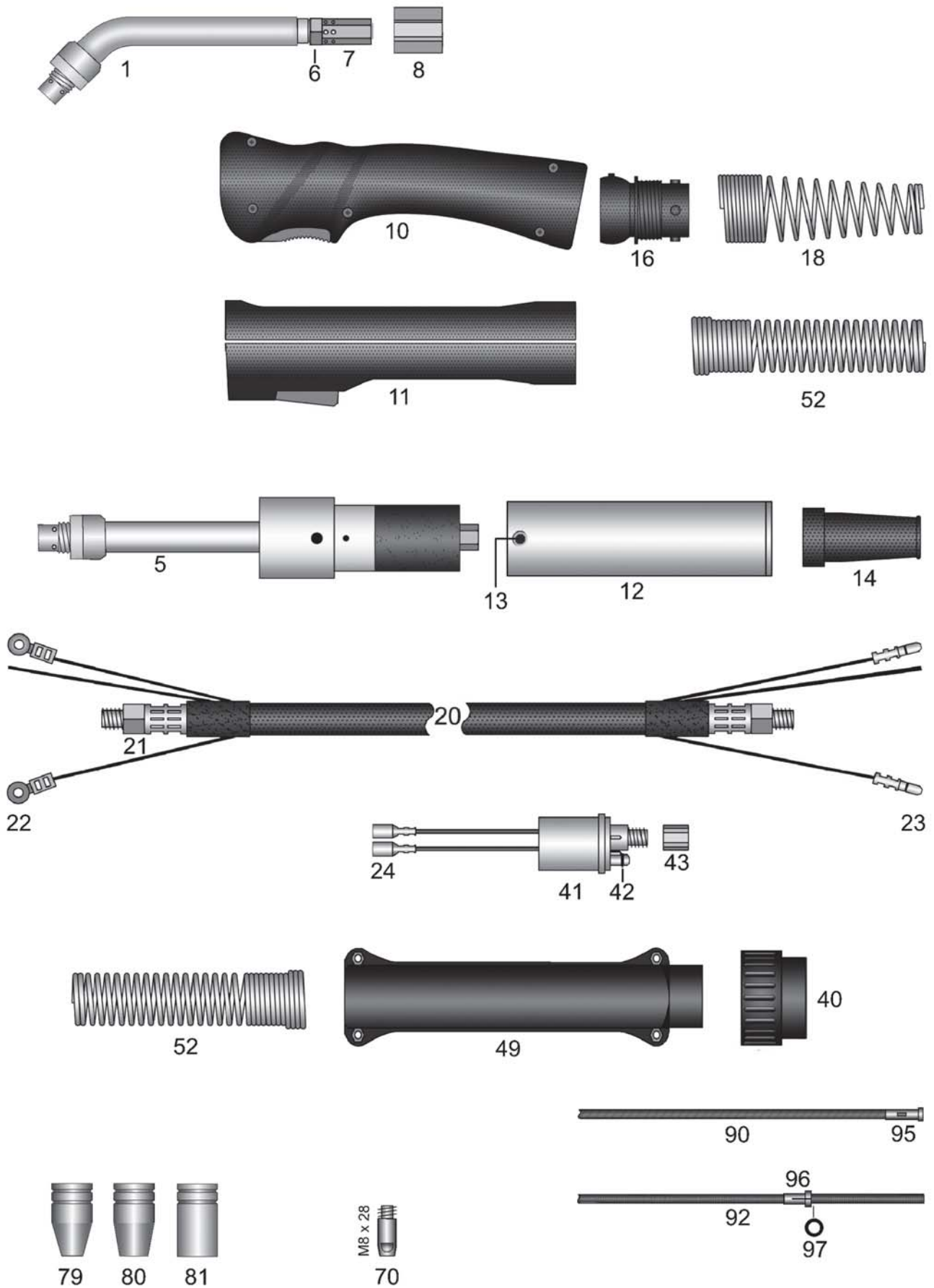
Holch Schweißbrenner GmbH
Bühlstraße 14
D-57080 Siegen

Phone: +49(0)271 387860-11
Telefax: +49(0)271 387860-29
E-Mail: info@holch-siegen.de
Web: www.holch-siegen.de



MHS Manni - 164 gas-cooled

230 Ampere at 60% duty cycle (CO₂) - 200 Ampere at 60% duty cycle (mixed gas)



HSN 137A

Welding-torch MIG-MAG gas-cooled**230A at 60% duty cycle (CO₂) - 200A at 60% duty cycle (mixed gas)****Art.-No.****Spare parts as torch MHS 312 water-cooled**

| | |
|----------|---------------------------------------------------------------------------|
| 16400311 | Torch MHS Manni-164 / 3m EURO central adapter 35mm ² |
| 16400411 | Torch MHS Manni-164 / 4m EURO central adapter 35mm ² |
| 16400511 | Torch MHS Manni-164 / 5m EURO central adapter 35mm ² |
| 16405311 | AUTomatic-torch MHS Manni-164 / 3m EURO central adapter 35mm ² |

**For torches without EURO central-adaptor the following prices apply.
Please note that for some special machine side connections surcharges may arise,
which you will find in the appendix "A" custom made products.**

| | |
|----------|------------------------------------------------------|
| 16400301 | Torch MHS Manni-164 / 3m 35mm ² |
| 16400401 | Torch MHS Manni-164 / 4m 35mm ² |
| 16400501 | Torch MHS Manni-164 / 5m 35mm ² |
| 16405301 | AUTomatic-torch MHS Manni-164 / 3m 35mm ² |

Special lengths for hand- and AUTomatic-torches please notice appendix "B".

| | |
|---------------|-----------------------------------------------------------|
| pg000001 | Surcharge: Pistol-shape-handle / stabilizer |
| N.i. 91912453 | Heat protection shield for pistol handle, screws included |
| 29004602 | Surcharge: Torch body with custom bending |

**Torch body and AUTomatic torch body with teflon insulation, nickel coated brazen outer tube,
very massive power conduit and small bending radius.**

| | | |
|------|----------|----------------------------------------------------------------|
| 1 | 16491001 | Swan neck |
| N.i. | 30405001 | Surcharge: with brazen inner tube ID3-AD4mm for aluminium wire |
| 5 | 16491501 | AUTomatic-torch body |
| 6 | 15912201 | Lock-nut M10x1-L6mm for Swan neck |
| 7 | 15912401 | Torch body brass SW12-L26mm |
| 8 | 15912301 | Polyamid-torch body |

Handles complete with switch, screws and ball joint

| | | |
|------|----------|-----------------------------------------------------------------------|
| 10 | 91912534 | Ratio-handle 16mm with ball joint |
| 10 | 91912434 | Ratio-handle 16mm standard (without ball joint) |
| N.i. | 91912438 | Ratio microswitch DC2 also fits RAUCH handle |
| N.i. | 91912439 | Push button red for Ratio handle also fits RAUCH handle |
| N.i. | 91912441 | Ratio spring fits button Ratio grip handle |
| 11 | 91912101 | Industry-handle 16mm with ball joint |
| 11 | 91912231 | Industry-handle 16mm standard (without ball joint) |
| N.i. | 91920411 | Switch-set fits industry-handle for 16/18/20mm (11 parts) |
| N.i. | 91920702 | Screw M3x11,5mm fits Ratio/Industry/RAUCH handle and cable support |
| N.i. | 91920703 | M3 mounting socket fits Ratio/Industry/RAUCH handle and cable support |

| | | |
|----|----------|--------------------------------------------------------------------------|
| 12 | 91912901 | AUT handle tube, brass-cladded AD38mm for AUT-torch rubber cable support |
| 13 | 91912911 | Holding screw M4x6mm fits AUT handle tube |
| 14 | 15912801 | Rubber cable-support small for coaxial-cable |

| | | |
|----|----------|--------------------------------------------------------------|
| 16 | 91912704 | Spring socket pistol side fits handle with ball joint |
| 18 | 91912503 | Cable support spring handle-side for torches with ball joint |

| | | |
|----|----------|----------------------------------------------------------------|
| 20 | 25920311 | Coaxial-cable 35mm ² / 3m fits EURO central adapter |
| 20 | 25920411 | Coaxial-cable 35mm ² / 4m fits EURO central adapter |
| 20 | 25920511 | Coaxial-cable 35mm ² / 5m fits EURO central adapter |

Welding-torch MIG-MAG gas-cooled

230A at 60% duty cycle (CO₂) - 200A at 60% duty cycle (mixed gas)

| Art.-No. | | |
|---------------------------------------------------------------------|----------|-----------------------------------------------------------------------------------------------------------|
| 21 | 15912211 | Lock-nut M10x1-L9,5mm for coaxial-cable |
| 22 | 91902811 | Cable-plug fits industry-handle |
| 23 | 91902901 | Male connector cable-plug for machine side EURO central adapter |
| 24 | 91903001 | Female connector cable-plug fits machine side EURO central adapter |
| 40 | 91900701 | Terminal nut insulated fits EURO central adapter |
| 41 | 91900101 | Central adapter fixed contact-pins EURO central adapter |
| 41 | 91900106 | Central adapter spring contact-pins EURO central adapter |
| 42 | 91900801 | O-ring ID4-W1mm fits gas-nipple EURO central adapter |
| 43 | 91900901 | Coupling nut IT-M10x1 (rounded edges) fits EURO central adapter |
| 49 | 91900561 | Cable support machine side (screws included) EURO central adapter |
| N.i. | 91920702 | Screw M3x11,5mm fits Ratio/Industry/RAUCH handle and cable support |
| N.i. | 91920703 | M3 mounting socket fits Ratio/Industry/RAUCH handle and cable support |
| N.i. | 91900601 | Attachment screw M4x6mm fits cable support EURO central adapter |
| 52 | 91912502 | Cable support spring fits handles without ball joint and for EURO |
| 70 | 82808401 | Contact tip M8-L28-D10 CuCrZr 0,8 (MHS Manni-164 + LURCHI-220/320 + MHS 312 + Dinse) |
| 70 | 82810401 | Contact tip M8-L28-D10 CuCrZr 1,0 (MHS Manni-164 + LURCHI-220/320 + MHS 312 + Dinse) |
| 70 | 82812401 | Contact tip M8-L28-D10 CuCrZr 1,2 (MHS Manni-164 + LURCHI-220/320 + MHS 312 + Dinse) |
| 70 | 82808a41 | Contact tip M8-L28-D10 0,8-A CuCrZr (MHS Manni-164 + LURCHI-220/320 + MHS 312 + Dinse) for aluminium wire |
| 70 | 82810a41 | Contact tip M8-L28-D10 1,0-A CuCrZr (MHS Manni-164 + LURCHI-220/320 + MHS 312 + Dinse) for aluminium wire |
| 70 | 82812a41 | Contact tip M8-L28-D10 1,2-A CuCrZr (MHS Manni-164 + LURCHI-220/320 + MHS 312 + Dinse) for aluminium wire |
| 79 | 3129301M | Gas nozzle screwable M14 conical-ID13mm L-40mm (MHS Manni-164 + LURCHI-220 / LURCHI-320 + MHS 312) |
| 80 | 3129302M | Gas nozzle screwable M14 conical-ID15mm L-40mm (MHS Manni-164 + LURCHI-220 / LURCHI-320 + MHS 312) |
| 81 | 31293001 | Gas nozzle screwable M14 cylindric-ID18mm L-40mm (MHS Manni-164 + LURCHI-220 / LURCHI-320 + MHS 312) |
| N.i. | 3129303M | Ceramic-screwable gas nozzle M14 conical-ID15mm L40mm (MHS Manni-164 + LURCHI-220 / LURCHI-320 + MHS 312) |
| Spirals and liners also available in other sizes on inquiry! | | |
| 90 | 15451311 | Guide spiral-line blue ID1,5-AD4,5 fits 3m / EURO central adapter |
| 90 | 15451411 | Guide spiral-line blue ID1,5-AD4,5 fits 4m / EURO central adapter |
| 90 | 15451511 | Guide spiral-line blue ID1,5-AD4,5 fits 5m / EURO central adapter |
| 90 | 20451311 | Guide spiral-line red ID2,0-AD4,5 fits 3m / EURO central adapter |
| 90 | 20451411 | Guide spiral-line red ID2,0-AD4,5 fits 4m / EURO central adapter |
| 90 | 20451511 | Guide spiral-line red ID2,0-AD4,5 fits 5m / EURO central adapter |
| 92 | 20393311 | PTFE-carbon core liner ID2,0-AD3,9 fits 3m / EURO central adapter |
| 92 | 20393411 | PTFE-carbon core liner ID2,0-AD3,9 fits 4m / EURO central adapter |
| 92 | 20393511 | PTFE-carbon core liner ID2,0-AD3,9 fits 5m / EURO central adapter |
| 92 | 20406311 | PA-core liner black ID2,0-AD4,0 fits 3m / EURO central adapter |
| 92 | 20406411 | PA-core liner black ID2,0-AD4,0 fits 4m / EURO central adapter |
| 92 | 20406511 | PA-core liner black ID2,0-AD4,0 fits 5m / EURO central adapter |

Welding-torch MIG-MAG gas-cooled**230A at 60% duty cycle (CO2) - 200A at 60% duty cycle (mixed gas)****Art.-No.**

| | | |
|------|----------|---------------------------------------------------------|
| N.i. | 20405002 | Brass spiral liner blue L300mm IG fits AD3,9/4,0mm |
| 95 | 91905721 | Nipple fits spiral liner EURO central adapter AD 4,5mm |
| 96 | 91906111 | Nipple fits core liner EURO central adapter AD3,9/4,0mm |
| 97 | 91906131 | O-ring ID3,5-W1,5 fits core liners |
| N.i. | 91906112 | Support tube, brass ID4,4 - AD5,0 - L200mm |

Torch

MHS LURCHI-220 / torch body flexible

MHS LURCHI-320 / torch body flexible

The factory standard gear is marked in red.



Holch Schweißbrenner GmbH
Bühlstraße 14
D-57080 Siegen

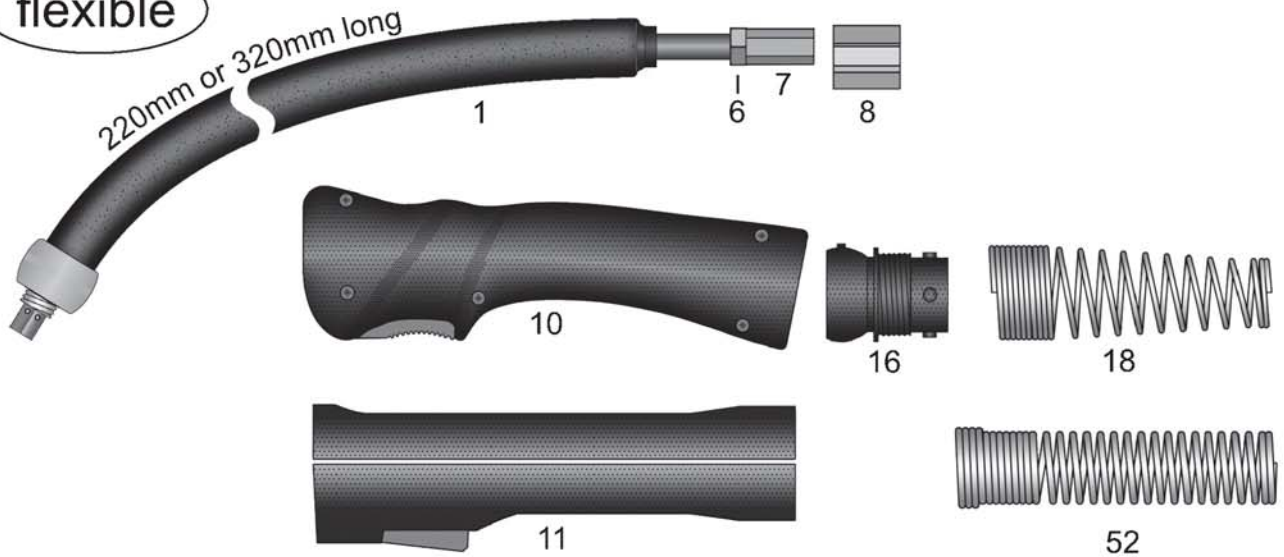
Phone: +49(0)271 387860-11
Telefax: +49(0)271 387860-29
E-Mail: info@holch-siegen.de
Web: www.holch-siegen.de

MHS LURCHI-220 gas-cooled
MHS LURCHI-320 gas-cooled

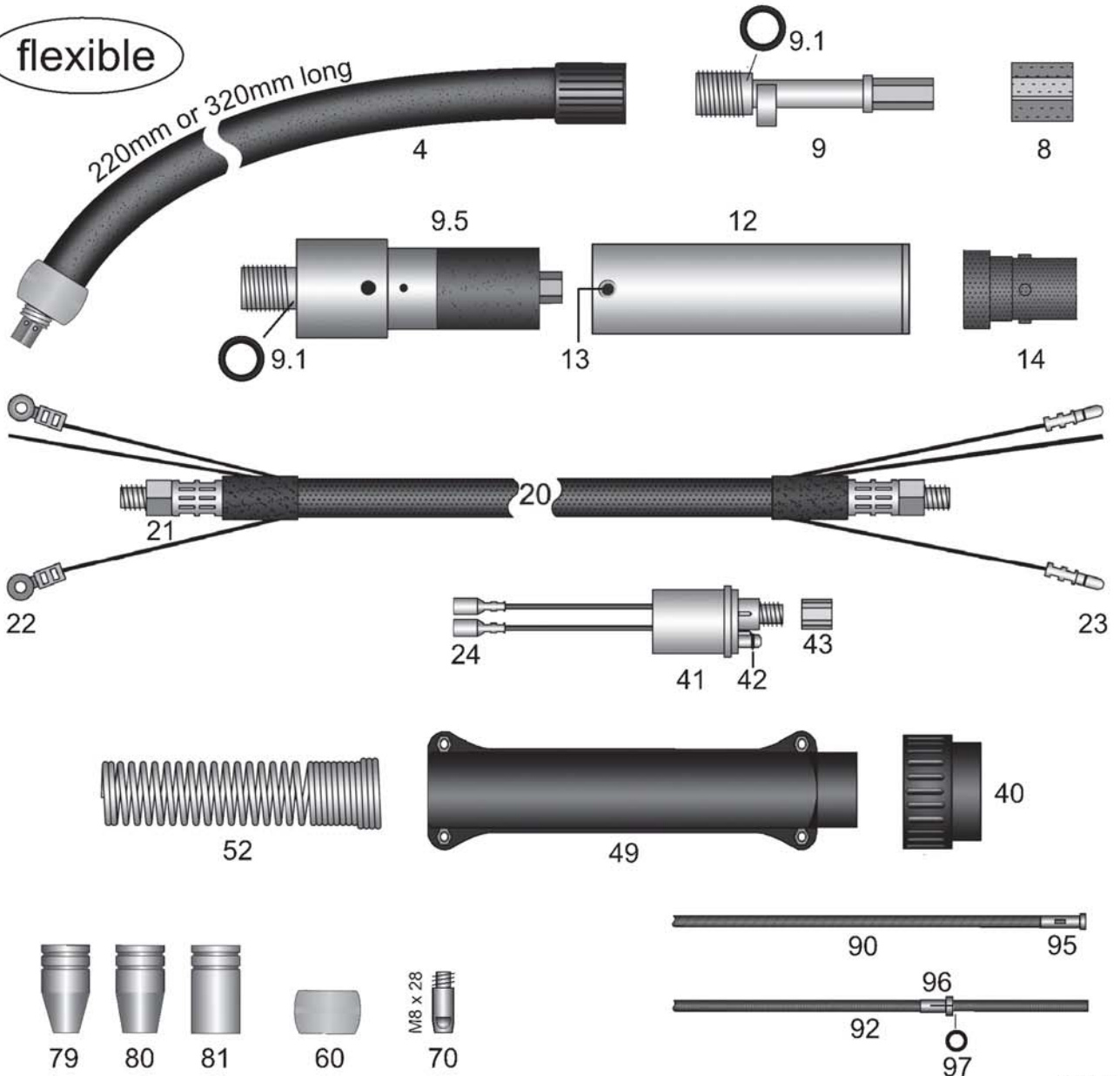


230 Ampere at 60% duty cycle (CO₂) - 200 Ampere at 60% duty cycle (mixed gas)

flexible



flexible



HSN 887-1

Welding-torch MIG-MAG gas-cooled

230A at 60% duty cycle (CO₂) - 200A at 60% duty cycle (mixed gas)

Art.-No.

Spare parts as torch MHS Manni-164 gas-cooled

Spare parts as torch MHS 312 water-cooled

| | |
|-------------------------------------------------------------------------------------------------------------------------------------------------------------------------------------------------------------------------------------------|---------------------------------------------------------------------------------------------------------------------|
| lu220311 | Torch MHS LURCHI-220 / 3m EURO central-adapter 25mm ² , flexible with screwable gas nozzle L-40mm |
| lu220411 | Torch MHS LURCHI-220 / 4m EURO central-adapter 25mm ² , flexible with screwable gas nozzle L-40mm |
| lu220511 | Torch MHS LURCHI-220 / 5m EURO central-adapter 25mm ² , flexible with screwable gas nozzle L-40mm |
| lu320311 | Torch MHS LURCHI-320 / 3m EURO-ZA 25mm ² , flexible (long) with screwable gas nozzle L-40mm |
| lu320411 | Torch MHS LURCHI-320 / 4m EURO-ZA 25mm ² , flexible (long) with screwable gas nozzle L-40mm |
| lu320511 | Torch MHS LURCHI-320 / 5m EURO-ZA 25mm ² , flexible (long) with screwable gas nozzle L-40mm |
| lu220312 | DR torch MHS LURCHI-220 / 3m EURO central-adapter 25mm ² , flexible with screwable gas nozzle L-40mm |
| lu220412 | DR torch MHS LURCHI-220 / 4m EURO central-adapter 25mm ² , flexible with screwable gas nozzle L-40mm |
| lu220512 | DR torch MHS LURCHI-220 / 5m EURO central-adapter 25mm ² , flexible with screwable gas nozzle L-40mm |
| lu320312 | DR torch MHS LURCHI-320 / 3m EURO-ZA 25mm ² , flexible (long) with screwable gas nozzle L-40mm |
| lu320412 | DR torch MHS LURCHI-320 / 4m EURO-ZA 25mm ² , flexible (long) with screwable gas nozzle L-40mm |
| lu320512 | DR torch MHS LURCHI-320 / 5m EURO-ZA 25mm ² , flexible (long) with screwable gas nozzle L-40mm |
| lu225312 | DR AUTomatic-torch MHS LURCHI-220 / 3m EURO-ZA 25mm ² , flexible with screwable gas nozzle L-40mm |
| lu325312 | DR AUTomatic-torch MHS LURCHI-320 / 3m EURO-ZA 25mm ² , flexible (long) with screwable gas nozzle L-40mm |
| <p>For torches without EURO central-adaptor the following prices apply. Please note that for some special machine side connections surcharges may arise, which you will find in the appendix "A" custom made products.</p> | |
| lu220301 | Torch MHS LURCHI-220 / 3m 25mm ² , flexible with screwable gas nozzle L-40mm |
| lu220401 | Torch MHS LURCHI-220 / 4m 25mm ² , flexible with screwable gas nozzle L-40mm |
| lu220501 | Torch MHS LURCHI-220 / 5m 25mm ² , flexible with screwable gas nozzle L-40mm |
| lu320301 | Torch MHS LURCHI-320 / 3m 25mm ² , flexible (long) with screwable gas nozzle L-40mm |
| lu320401 | Torch MHS LURCHI-320 / 4m 25mm ² , flexible (long) with screwable gas nozzle L-40mm |
| lu320501 | Torch MHS LURCHI-320 / 5m 25mm ² , flexible (long) with screwable gas nozzle L-40mm |
| lu220302 | DR torch MHS LURCHI-220 / 3m 25mm ² , flexible with screwable gas nozzle L-40mm |
| lu220402 | DR torch MHS LURCHI-220 / 4m 25mm ² , flexible with screwable gas nozzle L-40mm |
| lu220502 | DR torch MHS LURCHI-220 / 5m 25mm ² , flexible with screwable gas nozzle L-40mm |
| lu320302 | DR torch MHS LURCHI-320 / 3m 25mm ² , flexible (long) with screwable gas nozzle L-40mm |
| lu320402 | DR torch MHS LURCHI-320 / 4m 25mm ² , flexible (long) with screwable gas nozzle L-40mm |
| lu320502 | DR torch MHS LURCHI-320 / 5m 25mm ² , flexible (long) with screwable gas nozzle L-40mm |

Welding-torch MIG-MAG gas-cooled

230A at 60% duty cycle (CO₂) - 200A at 60% duty cycle (mixed gas)

| Art.-No. | | |
|--------------------------------------------------------------------------------------------------------------------|-------------------------------------------------------------------------------------------------------------|-------------------------------------------------------------------------------|
| lu225302 | DR AUTomatic-torch MHS LURCHI-220 / 3m 25mm ² , flexible with screwable gas nozzle L-40mm | |
| lu325302 | DR AUTomatic-torch MHS LURCHI-320 / 3m 25mm ² , flexible (long) with screwable gas nozzle L-40mm | |
| Special lengths for hand- and AUTomatic-torches please notice appendix "B". | | |
| Torch body flexible with rubber insulation, 25mm² power conduit, complete with Teflon-insulator. | | |
| 1 | lu220911 | Swan neck MHS LURCHI-220, flexible fits screwable gas nozzle L-40mm |
| 1 | lu320911 | Swan neck MHS LURCHI-320, flexible (long) fits screwable gas nozzle L-40mm |
| 4 | lu220912 | DR Swan neck MHS LURCHI-220, flexible fits screwable gas nozzle L-40mm |
| 4 | lu320912 | DR Swan neck MHS LURCHI-320, flexible (long) fits screwable gas nozzle L-40mm |
| 6 | 15912201 | Lock-nut M10x1-L6mm for Swan neck |
| 7 | 15912401 | Torch body brass SW12-L26mm |
| 8 | 15912301 | Polyamid-torch body |
| 9 | 15912602 | DR Torch body brass fits ratio handle |
| 9 | 15912601 | DR Torch body brass fits industry-handle |
| 9.1 | 91903604 | O-ring ID19-W2,4mm |
| 9.5 | 15912651 | Auxiliary torch body fits coaxial cable |
| Handles complete with switch, screws and ball joint | | |
| 10 | 91912536 | Ratio-handle 20mm with ball joint |
| 10 | 91912436 | Ratio-handle 20mm standard (without ball joint) |
| N.i. | 91912438 | Ratio microswitch DC2 also fits RAUCH handle |
| N.i. | 91912439 | Push button red for Ratio handle also fits RAUCH handle |
| N.i. | 91912441 | Ratio spring fits button Ratio grip handle |
| 11 | 91912103 | Industry-handle 20mm with ball joint |
| 11 | 91912431 | Industry-handle 20mm standard (without ball joint) |
| N.i. | 91920411 | Switch-set fits industry-handle for 16/18/20mm (11 parts) |
| N.i. | 91920702 | Screw M3x11,5mm fits Ratio/Industry/RAUCH handle and cable support |
| N.i. | 91920703 | M3 mounting socket fits Ratio/Industry/RAUCH handle and cable support |
| 12 | 91912901 | AUT handle tube, brass-cladded AD38mm for AUT-torch rubber cable support |
| 13 | 91912911 | Holding screw M4x6mm fits AUT handle tube |
| 14 | 50191251 | Rubber cable-support RETRO |
| 16 | 91912704 | Spring socket pistol side fits handle with ball joint |
| 18 | 91912503 | Cable support spring handle-side for torches with ball joint |
| 20 | 15920311 | Coaxial-cable 25mm ² / 3m fits EURO central adapter |
| 20 | 15920411 | Coaxial-cable 25mm ² / 4m fits EURO central adapter |
| 20 | 15920511 | Coaxial-cable 25mm ² / 5m fits EURO central adapter |
| 21 | 15912211 | Lock-nut M10x1-L9,5mm for coaxial-cable |
| 22 | 91902811 | Cable-plug fits industry-handle |
| 23 | 91902901 | Male connector cable-plug for machine side EURO central adapter |
| 24 | 91903001 | Female connector cable-plug fits machine side EURO central adapter |
| 40 | 91900701 | Terminal nut insulated fits EURO central adapter |

Welding-torch MIG-MAG gas-cooled

230A at 60% duty cycle (CO₂) - 200A at 60% duty cycle (mixed gas)

| Art.-No. | | |
|---------------------------------------------------------------------|-----------------|----------------------------------------------------------------------------------------------------------------|
| 41 | 91900101 | Central adapter fixed contact-pins EURO central adapter |
| 41 | 91900106 | Central adapter spring contact-pins EURO central adapter |
| 42 | 91900801 | O-ring ID4-W1mm fits gas-nipple EURO central adapter |
| 43 | 91900901 | Coupling nut IT-M10x1 (rounded edges) fits EURO central adapter |
| 49 | 91900561 | Cable support machine side (screws included) EURO central adapter |
| N.i. | 91920702 | Screw M3x11,5mm fits Ratio/Industry/RAUCH handle and cable support |
| N.i. | 91920703 | M3 mounting socket fits Ratio/Industry/RAUCH handle and cable support |
| N.i. | 91900601 | Attachment screw M4x6mm fits cable support EURO central adapter |
| 52 | 91912502 | Cable support spring fits handles without ball joint and for EURO |
| 60 | lu912001 | Teflon protection sleeve LURCHI |
| 70 | 82808401 | Contact tip M8-L28-D10 CuCrZr 0,8 (MHS Manni-164 + LURCHI -220/320 + MHS 312 + Dinse) |
| 70 | 82810401 | Contact tip M8-L28-D10 CuCrZr 1,0 (MHS Manni-164 + LURCHI -220/320 + MHS 312 + Dinse) |
| 70 | 82812401 | Contact tip M8-L28-D10 CuCrZr 1,2 (MHS Manni-164 + LURCHI -220/320 + MHS 312 + Dinse) |
| 70 | 82808a41 | Contact tip M8-L28-D10 0,8-A CuCrZr (MHS Manni-164 + LURCHI -220/320 + MHS 312 + Dinse) for aluminium wire |
| 70 | 82810a41 | Contact tip M8-L28-D10 1,0-A CuCrZr (MHS Manni-164 + LURCHI -220/320 + MHS 312 + Dinse) for aluminium wire |
| 70 | 82812a41 | Contact tip M8-L28-D10 1,2-A CuCrZr (MHS Manni-164 + LURCHI -220/320 + MHS 312 + Dinse) for aluminium wire |
| 79 | 3129301M | Gas nozzle screwable M14 conical-ID13mm L-40mm (MHS Manni-164 + LURCHI -220 / LURCHI -320 + MHS 312) |
| 80 | 3129302M | Gas nozzle screwable M14 conical-ID15mm L-40mm (MHS Manni-164 + LURCHI -220 / LURCHI -320 + MHS 312) |
| 81 | 31293001 | Gas nozzle screwable M14 cylindric-ID18mm L-40mm (MHS Manni-164 + LURCHI -220 / LURCHI -320 + MHS 312) |
| N.i. | 3129303M | Ceramic-screwable gas nozzle M14 conical-ID15mm L40mm (MHS Manni-164 + LURCHI -220 / LURCHI -320 + MHS 312) |
| Spirals and liners also available in other sizes on inquiry! | | |
| 90 | 15451311 | Guide spiral-line blue ID1,5-AD4,5 fits 3m / EURO central adapter |
| 90 | 15451411 | Guide spiral-line blue ID1,5-AD4,5 fits 4m / EURO central adapter |
| 90 | 15451511 | Guide spiral-line blue ID1,5-AD4,5 fits 5m / EURO central adapter |
| 90 | 20451311 | Guide spiral-line red ID2,0-AD4,5 fits 3m / EURO central adapter |
| 90 | 20451411 | Guide spiral-line red ID2,0-AD4,5 fits 4m / EURO central adapter |
| 90 | 20451511 | Guide spiral-line red ID2,0-AD4,5 fits 5m / EURO central adapter |
| 92 | 20393311 | PTFE-carbon core liner ID2,0-AD3,9 fits 3m / EURO central adapter |
| 92 | 20393411 | PTFE-carbon core liner ID2,0-AD3,9 fits 4m / EURO central adapter |
| 92 | 20393511 | PTFE-carbon core liner ID2,0-AD3,9 fits 5m / EURO central adapter |
| 92 | 20406311 | PA-core liner black ID2,0-AD4,0 fits 3m / EURO central adapter |
| 92 | 20406411 | PA-core liner black ID2,0-AD4,0 fits 4m / EURO central adapter |
| 92 | 20406511 | PA-core liner black ID2,0-AD4,0 fits 5m / EURO central adapter |
| N.i. | 20405002 | Brass spiral liner blue L300mm IG fits AD3,9/4,0mm |
| 95 | 91905721 | Nipple fits spiral liner EURO central adapter AD 4,5mm |
| 96 | 91906111 | Nipple fits core liner EURO central adapter AD3,9/4,0mm |

Welding-torch MIG-MAG gas-cooled

230A at 60% duty cycle (CO2) - 200A at 60% duty cycle (mixed gas)

Art.-No.

97 91906131 O-ring ID3,5-W1,5 fits core liners

N.i. 91906112 Support tube, brass ID4,4 - AD5,0 - L200mm

Torch MHS RAUCH-250 air-cooled

Fume extraction torch

Product information:

At the pistol end the very light TPE extraction hose is protected by approx. 2m leather cover hose.
Damage caused by splashes or sharp edges is thus prevented.

The factory standard gear is marked in red.



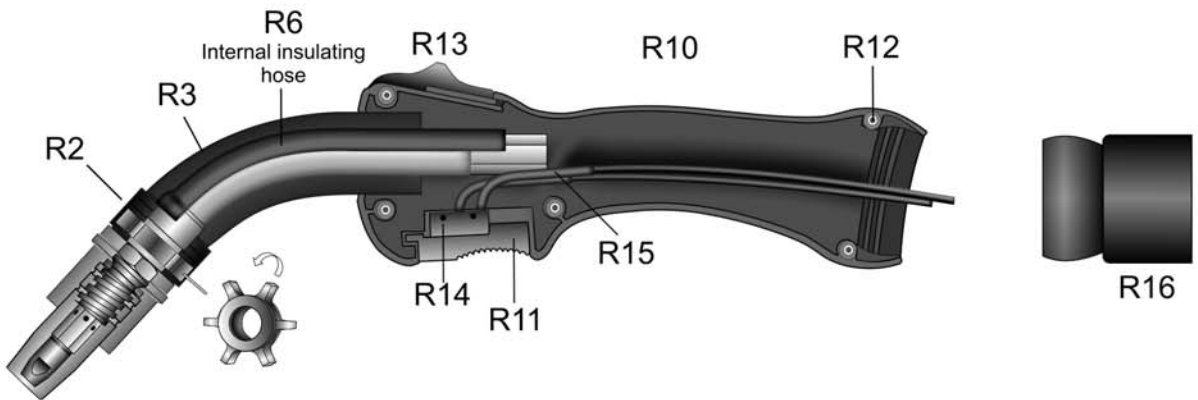
Holch Schweißbrenner GmbH
Bühlstraße 14
D-57080 Siegen

Phone: +49(0)271 387860-11
Telefax: +49(0)271 387860-29
E-Mail: info@holch-siegen.de
Web: www.holch-siegen.de

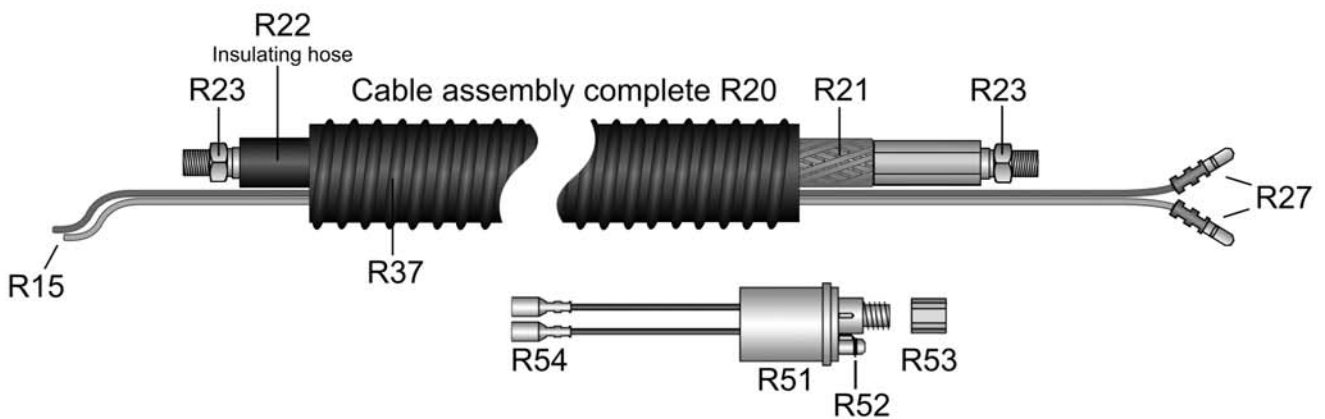
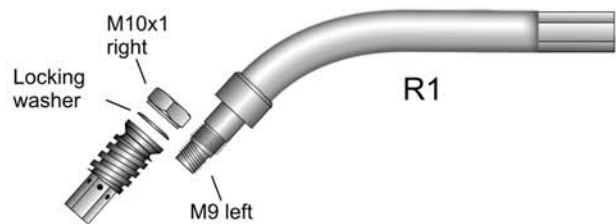


MHS RAUCH-250 air-cooled

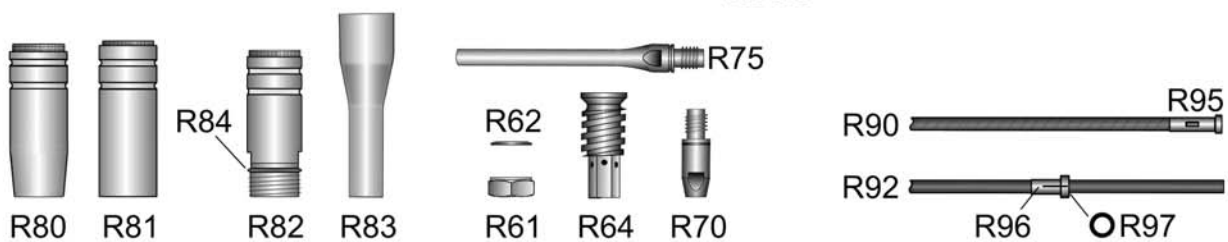
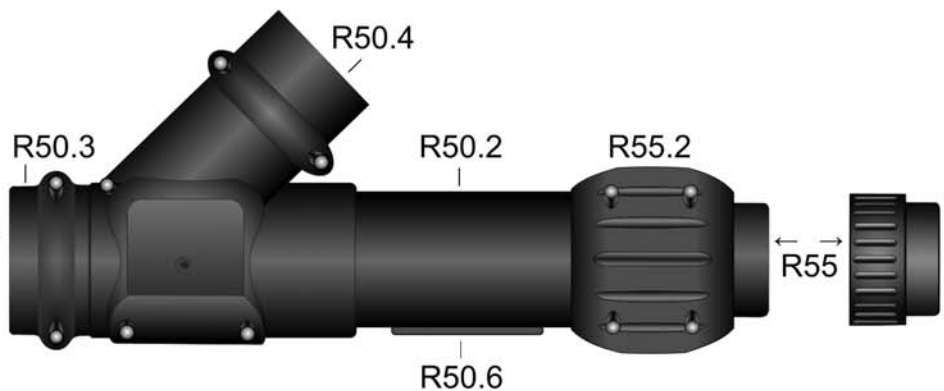
250 Ampere at 100% duty cycle (CO₂) - 210 Ampere at 100% duty cycle (mixed gas)



Adjustable exhaust nozzle
for frontal extraction for lateral extraction



RAUCH cable support
complete
R50



HSN 863-3

Welding-torch MIG-MAG air-cooled

250A at 100% duty cycle (CO₂) - 210A at 100% duty cycle (mixed gas)**Art.-No.****Spare parts as torch MHS RAUCH-330 water-cooled**

r2500311 Torch MHS RAUCH-250 / 3m EURO central adapter exhaust hose ID38mm

r2500411 Torch MHS RAUCH-250 / 4m EURO central adapter exhaust hose ID38mm

r2500511 Torch MHS RAUCH-250 / 5m EURO central adapter exhaust hose ID38mm

r2500312 Torch MHS RAUCH-250 / 3m EURO central adapter exhaust hose ID32mm

r2500412 Torch MHS RAUCH-250 / 4m EURO central adapter exhaust hose ID32mm

r2500512 Torch MHS RAUCH-250 / 5m EURO central adapter exhaust hose ID32mm

For torches without EURO central-adaptor the following prices apply.**Please note that for some special machine side connections surcharges may arise, which you will find in the appendix "A" custom made products.**

r2500301 Torch MHS RAUCH-250 / 3m exhaust hose ID38mm

r2500401 Torch MHS RAUCH-250 / 4m exhaust hose ID38mm

r2500501 Torch MHS RAUCH-250 / 5m exhaust hose ID38mm

r2500302 Torch MHS RAUCH-250 / 3m exhaust hose ID32mm

r2500402 Torch MHS RAUCH-250 / 4m exhaust hose ID32mm

r2500502 Torch MHS RAUCH-250 / 5m exhaust hose ID32mm

R1 r2509101 Swan neck MHS RAUCH-250 with insulation and hexagon nut

R2 r2509102 Fume suction tube for torch body RAUCH-250/330

R3 r2509103 Fume suction tube with Swan neck, complete with all consumables (contact tip 1,0) without fume suction nozzle

R6 r2509121 Section of silicone/glas insulating hose ID12,6-L125mm heat resistant up to 200°C

R8 **r9130012** Fume suction nozzle for RAUCH-250 / RAUCH-330 made of brass nickel plated, frontal suction, adjustable, complete with special o-ring high temperature resistant

R9 r9130013 Fume suction nozzle for RAUCH-250 / RAUCH-330 made of brass nickel plated, side suction, adjustable, complete with special o-ring high temperature resistant

RAUCH-handle complete with air-slider, switch and all sundries. Please order ball joint separately depending on the exhaust hose for either ID32mm or ID38mm.

R10 r9193811 RAUCH-handle red

R11 91912440 Ratio push button black

R12 91920703 M3 mounting socket fits Ratio/Industry/RAUCH handle and cable support

N.i. 91920702 Screw M3x11,5mm fits Ratio/Industry/RAUCH handle and cable support

R13 r9193812 RAUCH-air slider black

R14 91912438 Ratio microswitch DC2 also fits RAUCH handle

Reel goods:**Prices are per meter and only applicable if a complete reel is purchased.**R15 91902601 Meter control line 2x0,5mm² silicone red (100m)R15 91902602 Meter control line 2x0,5mm² silicone white (100m)

N.i. s5080001 Meter shrinking hose, heatresistant 2:1, ID50,8mm (5m)

R16 r9193803 RAUCH-ball joint fits hose ID32mm

R16 r9193804 RAUCH-ball joint fits hose ID38mm

Cable assembly for EURO central adapter consisting of:**Exhaust hose, wire/power/gas conduit 35mm² and control line.**

Welding-torch MIG-MAG air-cooled

250A at 100% duty cycle (CO₂) - 210A at 100% duty cycle (mixed gas)

| Art.-No. | | |
|--------------------------------------------------------------------------------------------------------|----------|--------------------------------------------------------------------------------------------------------------------------------------------------------------------------------------------------------|
| R20 | ven90311 | Spare cable assembly RAUCH-250 / RAUCH-350-SC 3m / without EURO central adapter exhaust hose ID38mm, complete with 2m leather protection sleeve |
| R20 | ven90411 | Spare cable assembly RAUCH-250 / RAUCH-350-SC 4m / without EURO central adapter exhaust hose ID38mm, complete with 2m leather protection sleeve |
| R20 | ven90511 | Spare cable assembly RAUCH-250 / RAUCH-350-SC 5m / without EURO central adapter exhaust hose ID38mm, complete with 2m leather protection sleeve |
| R20 | ven90312 | Spare cable assembly RAUCH-250 / RAUCH-350-SC 3m / without EURO central adapter exhaust hose ID32mm, complete with 2m leather protection sleeve |
| R20 | ven90412 | Spare cable assembly RAUCH-250 / RAUCH-350-SC 4m / without EURO central adapter exhaust hose ID32mm, complete with 2m leather protection sleeve |
| R20 | ven90512 | Spare cable assembly RAUCH-250 / RAUCH-350-SC 5m / without EURO central adapter exhaust hose ID32mm, complete with 2m leather protection sleeve |
| R21 | ven94311 | Wire-/Power-/Gas conduit fits extraction torch 3m 35mm ² |
| R21 | ven94411 | Wire-/Power-/Gas conduit fits extraction torch 4m 35mm ² |
| R21 | ven94511 | Wire-/Power-/Gas conduit fits extraction torch 5m 35mm ² |
| R22 | ven91992 | Section of silicone/glas insulating hose ID12,6-L700mm heat resistant up to 200°C |
| R23 | 15912201 | Lock-nut M10x1-L6mm for Swan neck |
| R27 | 91902901 | Male connector cable-plug for machine side EURO central adapter |
| Reel goods: Prices are per meter and only applicable if a complete reel is purchased. | | |
| N.i. | r3200001 | Meter exhaust hose ID32mm (18m) |
| N.i. | r3800001 | Meter exhaust hose ID38mm (18m) |
| N.i. | r3200011 | Leather-covering ID-45mm appr. 2m long, for fume extraction hose ID-32mm |
| N.i. | r3800011 | Leather-sleeve ID-45mm appr. 2m long, for fume extraction hose ID-38mm |
| R37 | r3200311 | Section of exhaust hose 2,4m ID32mm / fits 3m RAUCH torch |
| R37 | r3200411 | Section of exhaust hose 3,4m ID32mm / fits 4m RAUCH torch |
| R37 | r3200511 | Section of exhaust hose 4,4m ID32mm / fits 5m RAUCH torch |
| R37 | r3800311 | Section of exhaust hose 2,4m ID38mm / fits 3m RAUCH torch |
| R37 | r3800411 | Section of exhaust hose 3,4m ID38mm / fits 4m RAUCH torch |
| R37 | r3800511 | Section of exhaust hose 4,4m ID38mm / fits 5m RAUCH torch |
| R50 | 91700002 | Fume central adapter connection-system for air-cooled torches complete. Consisting of: 91700061 + 91700011 + 91700021 + 91700031 + 91700151 + 91700041 + 91900702 |
| R50.2 | 91700061 | Fume central adapter / fume protected area to connect support lines, lateral mouth for rubber grommet, 2 halves complete with bushing and screws and 1 red O-ring |
| R50.3 | 91700011 | Fume central adapter chamber rotatable 360°. 2 halves complete with bushing, screws and 2 O-rings (red). Fits to genuine Holch extraction connection adapter 4° and central adapter connection chamber |
| R50.4 | 91700021 | Fume central adapter extraction connection 45°, 2 half pieces complete with bushes and screws. Only for genuine Holch central adapter rotatable extraction chamber |
| N.i. | 91700032 | Fume central adapter membrane OD35-8mm thick for the genuine Holch fume protected central adapter connection chamber for air-cooled RAUCH fume extraction torch |
| 50.6 | 91700151 | Fume central adapter seal set for air cooled torches to seal the opening in the fume protected connection chamber |
| N.i. | r9131002 | Special high heat resistant O-ring ID33mm-W2mm fits fume extraction connection chamber |
| N.i. | 91700111 | Special high heat resistant O-ring ID46mm-W2mm fits fume extraction chamber |
| R51 | 91900106 | Central adapter spring contact-pins EURO central adapter |

Welding-torch MIG-MAG air-cooled

250A at 100% duty cycle (CO₂) - 210A at 100% duty cycle (mixed gas)

| Art.-No. | | |
|----------|----------|--------------------------------------------------------------------------------------------------------|
| R51 | 91900101 | Central adapter fixed contact-pins EURO central adapter |
| R52 | 91900801 | O-ring ID4-W1mm fits gas-nipple EURO central adapter |
| R53 | 91900901 | Coupling nut IT-M10x1 (rounded edges) fits EURO central adapter |
| R54 | 91903001 | Female connector cable-plug fits machine side EURO central adapter |
| R55 | 91900702 | Terminal nut insulated fits EURO central adapter (widened fits RAUCH) |
| R55.2 | 91700041 | Strengthening for terminal nut EURO vental adapter2 halves complete with bushing and screws (black) |
| R61 | ven91984 | Hexagon nut M9 left hand thread SW14 with flange |
| R62 | ven91985 | Tooth lock washer AD-13-ID9mm |
| R64 | ven98001 | Tip/nozzle holder Rauch-250 / RAUCH-330 |
| R70 | 83008401 | Contact tip M8-L30-D10 0,8 CuCrZr |
| R70 | 83010401 | Contact tip M8-L30-AD10 CuCrZr 1,0 |
| R70 | 83012401 | Contact tip M8-L30-AD10 CuCrZr 1,2 |
| R70 | 83014401 | Contact tip M8-L30-AD10 CuCrZr 1,4 |
| R70 | 83008a01 | Contact tip M8-L30-D10 0,8-A for aluminium wire |
| R70 | 83010a01 | Contact tip M8-L30-D10 1,0-A for aluminium wire |
| R70 | 83012a01 | Contact tip M8-L30-D10 1,2-A for aluminium wire |
| R75 | 88551241 | Narrow gap-contact tip M8-L85,5-D10 turned down to 6mm 1,2 CuCrZr |
| R80 | ven93002 | Gas nozzle RAUCH-250/330 conical-ID15mm with spatter protection |
| R81 | ven93302 | Gas nozzle RAUCH-250/330 cylindrical-ID18mm with spatter protection |
| R82 | r3309362 | Narrow-gap lower section with silicone sealing ring for MHS RAUCH-250 / MHS RAUCH-330 |
| R83 | r3309364 | Narrow-gap gas nozzle ID11-OD14mm / length 70mm for narrow-gap lower section MHS RAUCH-250 / RAUCH-330 |
| R84 | r3309363 | Silicon seal for narrow-gap lower section MHS RAUCH-250 / MHS RAUCH-330 |
| R90 | 15451311 | Guide spiral-line blue ID1,5-AD4,5 fits 3m / EURO central adapter |
| R90 | 15451411 | Guide spiral-line blue ID1,5-AD4,5 fits 4m / EURO central adapter |
| R90 | 15451511 | Guide spiral-line blue ID1,5-AD4,5 fits 5m / EURO central adapter |
| R90 | 20451311 | Guide spiral-line red ID2,0-AD4,5 fits 3m / EURO central adapter |
| R90 | 20451411 | Guide spiral-line red ID2,0-AD4,5 fits 4m / EURO central adapter |
| R90 | 20451511 | Guide spiral-line red ID2,0-AD4,5 fits 5m / EURO central adapter |
| R90 | 23481311 | Spiral-liner green ID2,3-AD4,8 fits 3m / EURO central adapter |
| R90 | 23481411 | Spiral-liner green ID2,3-AD4,8 fits 4m / EURO central adapter |
| R90 | 23481511 | Spiral-liner green ID2,3-AD4,8 fits 5m / EURO central adapter |
| R90 | 25451311 | Flatwire spiral-liner yellow ID2,5-AD4,5 fits 3m / EURO central adapter |
| R90 | 25451411 | Flatwire spiral-liner yellow ID2,5-AD4,5 fits 4m / EURO central adapter |
| R90 | 25451511 | Flatwire spiral-liner yellow ID2,5-AD4,5 fits 5m / EURO central adapter |
| R92 | 20393311 | PTFE-carbon core liner ID2,0-AD3,9 fits 3m / EURO central adapter |
| R92 | 20393411 | PTFE-carbon core liner ID2,0-AD3,9 fits 4m / EURO central adapter |
| R92 | 20393511 | PTFE-carbon core liner ID2,0-AD3,9 fits 5m / EURO central adapter |
| R92 | 20406311 | PA-core liner black ID2,0-AD4,0 fits 3m / EURO central adapter |

Welding-torch MIG-MAG air-cooled**250A at 100% duty cycle (CO₂) - 210A at 100% duty cycle (mixed gas)**

| Art.-No. | | |
|-----------------|----------|----------------------------------------------------------------|
| R92 | 20406411 | PA-core liner black ID2,0-AD4,0 fits 4m / EURO central adapter |
| R92 | 20406511 | PA-core liner black ID2,0-AD4,0 fits 5m / EURO central adapter |
| N.i. | 20405002 | Brass spiral liner blue L300mm IG fits AD3,9/4,0mm |
| R95 | 91905721 | Nipple fits spiral liner EURO central adapter AD 4,5mm |
| R96 | 91906111 | Nipple fits core liner EURO central adapter AD3,9/4,0mm |
| R97 | 91906131 | O-ring ID3,5-W1,5 fits core liners |
| N.i. | 91906112 | Support tube, brass ID4,4 - AD5,0 - L200mm |

Torch MHS RAUCH-350-SC air-cooled

Fume extraction torch

Product information:

At the pistol end the very light TPE extraction hose is protected by approx. 2m leather cover hose.
Damage caused by splashes or sharp edges is thus prevented.

The factory standard gear is marked in red.



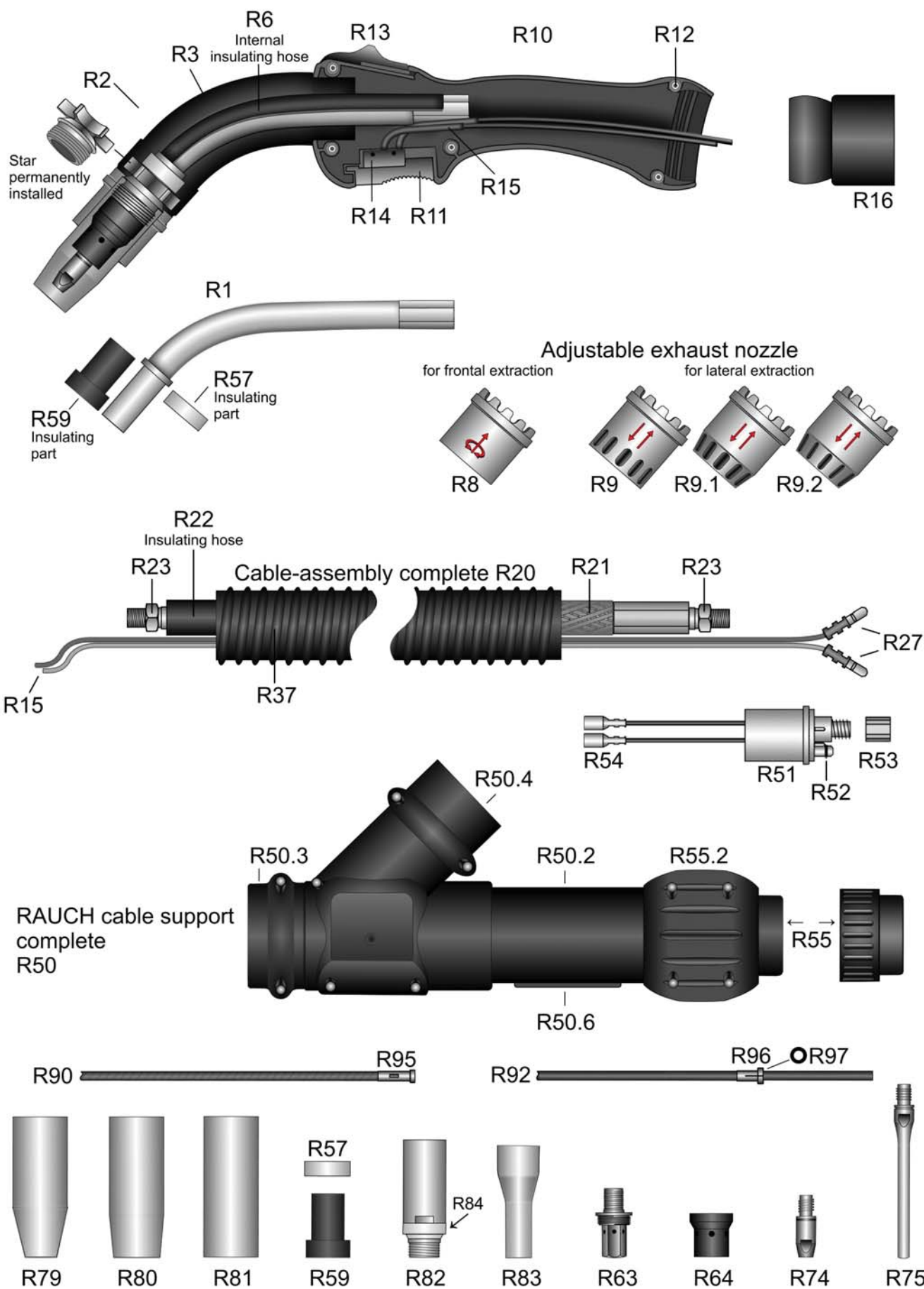
Holch Schweißbrenner GmbH
Bühlstraße 14
D-57080 Siegen

Phone: +49(0)271 387860-11
Telefax: +49(0)271 387860-29
E-Mail: info@holch-siegen.de
Web: www.holch-siegen.de



MHS RAUCH-350-SC air-cooled

350 Ampere at 100% duty cycle (CO₂) - 310 Ampere at 100% duty cycle (mixed gas)



HSN 869-5

Welding-torch MIG-MAG air-cooled

350A at 100% duty cycle (CO₂) - 310A at 100% duty cycle (mixed gas)**Art.-No.****Spare parts as torch MHS RAUCH-400 water-cooled**

| | |
|----------|----------------------------------------------------------------------|
| r3500311 | Torch MHS RAUCH-350-SC / 3m EURO central adapter exhaust hose ID38mm |
| r3500411 | Torch MHS RAUCH-350-SC / 4m EURO central adapter exhaust hose ID38mm |
| r3500511 | Torch MHS RAUCH-350-SC / 5m EURO central adapter exhaust hose ID38mm |

**For torches without EURO central-adaptor the following prices apply.
Please note that for some special machine side connections surcharges may arise,
which you will find in the appendix "A" custom made products.**

| | |
|----------|-------------------------------------------------|
| r3500301 | Torch MHS RAUCH-350-SC / 3m exhaust hose ID38mm |
| r3500401 | Torch MHS RAUCH-350-SC / 4m exhaust hose ID38mm |
| r3500501 | Torch MHS RAUCH-350-SC / 5m exhaust hose ID38mm |

| | | |
|------|----------|-------------------------------------------------------------------------------------------------------------------------------------------------------------------------|
| R1 | r3509101 | Swan neck MHS RAUCH-350-SC |
| R2 | r4509102 | Fume suction tube for torch body RAUCH-350-SC/450-SC |
| R3 | r3509103 | Fume suction tube with Swan neck, complete with all consumables (conatct tip 1,0) without fume suction nozzle |
| R6 | r2509121 | Section of silicone/glas insulating hose ID12,6-L125mm heat resistant up to 200°C |
| R8 | r9130001 | Fume suction nozzle for RAUCH-350-SC / RAUCH-450-SC made of aluminium, frontal suction, adjustable, complete with special o-ring high temperature resistant |
| R8 | r9130002 | Fume suction nozzle for RAUCH-350-SC / RAUCH-450-SC made of brass nickel plated, frontal suction, adjustable, complete with special o-ring high temperature resistant |
| R9 | r9130003 | Fume suction nozzle for RAUCH-350-SC / RAUCH-450-SC made of brass nickel plated, side suction, adjustable, complete with special o-ring high temperature resistant |
| R9.1 | r9130004 | Fume suction nozzle for RAUCH-350-SC / RAUCH-450-SC made of brass nickel plated, conical, wide suction slots, complete with special o-ring high temperature resistant |
| R9.2 | r9130005 | Fume suction nozzle for RAUCH-350-SC / RAUCH-450-SC made of brass nickel plated, conical, narrow suction slots, complete with special o-ring high temperature resistant |
| N.i. | r9131001 | Special high heat resistant O-ring fits fume suction nozzle RAUCH-350-SC / RAUCH-450-SC |

RAUCH-handle complete with air-slider, switch and all sundries. Please order ball joint separately.

| | | |
|------|----------|-----------------------------------------------------------------------|
| R10 | r9193811 | RAUCH-handle red |
| R11 | 91912440 | Ratio push button black |
| R12 | 91920703 | M3 mounting socket fits Ratio/Industry/RAUCH handle and cable support |
| N.i. | 91920702 | Screw M3x11,5mm fits Ratio/Industry/RAUCH handle and cable support |
| R13 | r9193812 | RAUCH-air slider black |
| R14 | 91912438 | Ratio microswitch DC2 also fits RAUCH handle |

Reel goods:

Prices are per meter and only applicable if a complete reel is purchased.

| | | |
|------|----------|---------------------------------------------------------------|
| R15 | 91902601 | Meter control line 2x0,5mm ² silicone red (100m) |
| R15 | 91902602 | Meter control line 2x0,5mm ² silicone white (100m) |
| N.i. | s5080001 | Meter shrinking hose, heatresistant 2:1, ID50,8mm (5m) |

| | | |
|-----|----------|-----------------------------------|
| R16 | r9193804 | RAUCH-ball joint fits hose ID38mm |
|-----|----------|-----------------------------------|

**Cable assembly for EURO central adapter consisting of:
Exhaust hose, wire/power/gas conduit 35mm² and control line.**

| | | |
|-----|----------|-------------------------------------------------------------------------------------------------------------------------------------------------|
| R20 | ven90311 | Spare cable assembly RAUCH-250 / RAUCH-350-SC 3m / without EURO central adapter exhaust hose ID38mm, complete with 2m leather protection sleeve |
| R20 | ven90411 | Spare cable assembly RAUCH-250 / RAUCH-350-SC 4m / without EURO central adapter exhaust hose ID38mm, complete with 2m leather protection sleeve |

Welding-torch MIG-MAG air-cooled

350A at 100% duty cycle (CO₂) - 310A at 100% duty cycle (mixed gas)

| Art.-No. | | |
|----------------------------------------------------------------------------------|----------|--------------------------------------------------------------------------------------------------------------------------------------------------------------------------------------------------------|
| R20 | ven90511 | Spare cable assembly RAUCH-250 / RAUCH-350-SC 5m / without EURO central adapter exhaust hose ID38mm, complete with 2m leather protection sleeve |
| R21 | ven94311 | Wire-/Power-/Gas conduit fits extraction torch 3m 35mm ² |
| R21 | ven94411 | Wire-/Power-/Gas conduit fits extraction torch 4m 35mm ² |
| R21 | ven94511 | Wire-/Power-/Gas conduit fits extraction torch 5m 35mm ² |
| R22 | ven91992 | Section of silicone/glas insulating hose ID12,6-L700mm heat resistant up to 200°C |
| R23 | 15912201 | Lock-nut M10x1-L6mm for Swan neck |
| R27 | 91902901 | Male connector cable-plug for machine side EURO central adapter |
| Reel goods: | | |
| Prices are per meter and only applicable if a complete reel is purchased. | | |
| N.i. | r3800001 | Meter exhaust hose ID38mm (18m) |
| N.i. | r3800011 | Leather-sleeve ID-45mm appr. 2m long, for fume extraction hose ID-38mm |
| R37 | r3800311 | Section of exhaust hose 2,4m ID38mm / fits 3m RAUCH torch |
| R37 | r3800411 | Section of exhaust hose 3,4m ID38mm / fits 4m RAUCH torch |
| R37 | r3800511 | Section of exhaust hose 4,4m ID38mm / fits 5m RAUCH torch |
| R50 | 91700002 | Fume central adapter connection-system for air-cooled torches complete. Consisting of: 91700061 + 91700011 + 91700021 + 91700031 + 91700151 + 91700041 + 91900702 |
| R50.2 | 91700061 | Fume central adapter / fume protected area to connect support lines, lateral mouth for rubber grommet, 2 halves complete with bushing and screws and 1 red O-ring |
| R50.3 | 91700011 | Fume central adapter chamber rotatable 360°. 2 halves complete with bushing, screws and 2 O-rings (red). Fits to genuine Holch extraction connection adapter 4° and central adapter connection chamber |
| R50.4 | 91700021 | Fume central adapter extraction connection 45°, 2 half pieces complete with bushes and screws. Only for genuine Holch central adapter rotatable extraction chamber |
| N.i. | 91700032 | Fume central adapter membrane OD35-8mm thick for the genuine Holch fume protected central adapter connection chamber for air-cooled RAUCH fume extraction torch |
| 50.6 | 91700151 | Fume central adapter seal set for air cooled torches to seal the opening in the fume protected connection chamber |
| N.i. | r9131002 | Special high heat resistant O-ring ID33mm-W2mm fits fume extraction connection chamber |
| N.i. | 91700111 | Special high heat resistant O-ring ID46mm-W2mm fits fume extraction chamber |
| R51 | 91900106 | Central adapter spring contact-pins EURO central adapter |
| R51 | 91900101 | Central adapter fixed contact-pins EURO central adapter |
| R52 | 91900801 | O-ring ID4-W1mm fits gas-nipple EURO central adapter |
| R53 | 91900901 | Coupling nut IT-M10x1 (rounded edges) fits EURO central adapter |
| R54 | 91903001 | Female connector cable-plug fits machine side EURO central adapter |
| R55 | 91900702 | Terminal nut insulated fits EURO central adapter (widened fits RAUCH) |
| R55.2 | 91700041 | Strengthening for terminal nut EURO vental adapter2 halves complete with bushing and screws (black) |
| R57 | r9120002 | Peek insulation for RAUCH-350-SC / RAUCH-450-SC (back) |
| R59 | r9121001 | HT-insulation black power fits RAUCH-350-SC / RAUCH-450-SC (front) with long cylinder |
| R63 | r9800002 | Contact tip holder M8 with OT-M16x1 fits gas diffusor |
| R64 | r9120004 | HT-gasdiffusor black power with IT-M16x1 and drilling 18mm black |
| R74 | 83008401 | Contact tip M8-L30-D10 0,8 CuCrZr |
| R74 | 83010401 | Contact tip M8-L30-AD10 CuCrZr 1,0 |

Welding-torch MIG-MAG air-cooled

350A at 100% duty cycle (CO₂) - 310A at 100% duty cycle (mixed gas)

| Art.-No. | | |
|----------|----------|---------------------------------------------------------------------------------------------------------------|
| R74 | 83012401 | Contact tip M8-L30-AD10 CuCrZr 1,2 |
| R74 | 83014401 | Contact tip M8-L30-AD10 CuCrZr 1,4 |
| R74 | 83008a01 | Contact tip M8-L30-D10 0,8-A for aluminium wire |
| R74 | 83010a01 | Contact tip M8-L30-D10 1,0-A for aluminium wire |
| R74 | 83012a01 | Contact tip M8-L30-D10 1,2-A for aluminium wire |
| R75 | 88551241 | Narrow gap-contact tip M8-L85,5-D10 turned down to 6mm 1,2 CuCrZr |
| R79 | r9310001 | Screwable gas nozzle conical ID12mm |
| R80 | r9300001 | Screwable gas nozzle conical ID16mm |
| R81 | r9330001 | Screwable gas nozzle cylindric ID21mm |
| R82 | r4509362 | Narrow-gap lower section with PTFE sealing ring for RAUCH-350-SC / RAUCH-450-SC |
| R83 | r4509365 | Narrow gap gas-nozzle ID12-OD12mm / length 62,5mm for narrow-gap lower section RAUCH-350-SC / RAUCH-450-SC |
| R84 | r4509363 | PTFE sealing ring for narrow-gap lower section RAUCH-350-SC / RAUCH-450-SC |
| R90 | 15451311 | Guide spiral-line blue ID1,5-AD4,5 fits 3m / EURO central adapter |
| R90 | 15451411 | Guide spiral-line blue ID1,5-AD4,5 fits 4m / EURO central adapter |
| R90 | 15451511 | Guide spiral-line blue ID1,5-AD4,5 fits 5m / EURO central adapter |
| R90 | 20451311 | Guide spiral-line red ID2,0-AD4,5 fits 3m / EURO central adapter |
| R90 | 20451411 | Guide spiral-line red ID2,0-AD4,5 fits 4m / EURO central adapter |
| R90 | 20451511 | Guide spiral-line red ID2,0-AD4,5 fits 5m / EURO central adapter |
| R90 | 23481311 | Spiral-liner green ID2,3-AD4,8 fits 3m / EURO central adapter |
| R90 | 23481411 | Spiral-liner green ID2,3-AD4,8 fits 4m / EURO central adapter |
| R90 | 23481511 | Spiral-liner green ID2,3-AD4,8 fits 5m / EURO central adapter |
| R90 | 25451311 | Flatwire spiral-liner yellow ID2,5-AD4,5 fits 3m / EURO central adapter |
| R90 | 25451411 | Flatwire spiral-liner yellow ID2,5-AD4,5 fits 4m / EURO central adapter |
| R90 | 25451511 | Flatwire spiral-liner yellow ID2,5-AD4,5 fits 5m / EURO central adapter |
| R92 | 20393311 | PTFE-carbon core liner ID2,0-AD3,9 fits 3m / EURO central adapter |
| R92 | 20393411 | PTFE-carbon core liner ID2,0-AD3,9 fits 4m / EURO central adapter |
| R92 | 20393511 | PTFE-carbon core liner ID2,0-AD3,9 fits 5m / EURO central adapter |
| R92 | 27473311 | PTFE-carbon core liner ID2,7-AD4,7 fits 3m / EURO central adapter |
| R92 | 27473411 | PTFE-carbon core liner ID2,7-AD4,7 fits 4m / EURO central adapter |
| R92 | 27473511 | PTFE-carbon core liner ID2,7-AD4,7 fits 5m / EURO central adapter |
| R92 | 20406311 | PA-core liner black ID2,0-AD4,0 fits 3m / EURO central adapter |
| R92 | 20406411 | PA-core liner black ID2,0-AD4,0 fits 4m / EURO central adapter |
| R92 | 20406511 | PA-core liner black ID2,0-AD4,0 fits 5m / EURO central adapter |
| R92 | 23476311 | PA-core liner black ID2,3-AD4,7 fits 3m / EURO central adapter |
| R92 | 23476411 | PA-core liner black ID2,3-AD4,7 fits 4m / EURO central adapter |
| R92 | 23476511 | PA-core liner black ID2,3-AD4,7 fits 5m / EURO central adapter |
| N.i. | 20405002 | Brass spiral liner blue L300mm IG fits AD3,9/4,0mm |
| N.i. | 20405001 | Brass spiral liner green L300mm IG fits AD4,7mm |

Welding-torch MIG-MAG air-cooled**350A at 100% duty cycle (CO2) - 310A at 100% duty cycle (mixed gas)**

| Art.-No. | | |
|-----------------|----------|---------------------------------------------------------|
| R95 | 91905721 | Nipple fits spiral liner EURO central adapter AD 4,5mm |
| R96 | 91906111 | Nipple fits core liner EURO central adapter AD3,9/4,0mm |
| R96 | 91906121 | Nipple fits core liner EURO central adapter AD 4,7mm |
| R97 | 91906131 | O-ring ID3,5-W1,5 fits core liners |
| <hr/> | | |
| N.i. | 91906112 | Support tube, brass ID4,4 - AD5,0 - L200mm |

Torch MHS 81-D water-cooled

The factory standard gear is marked in red.



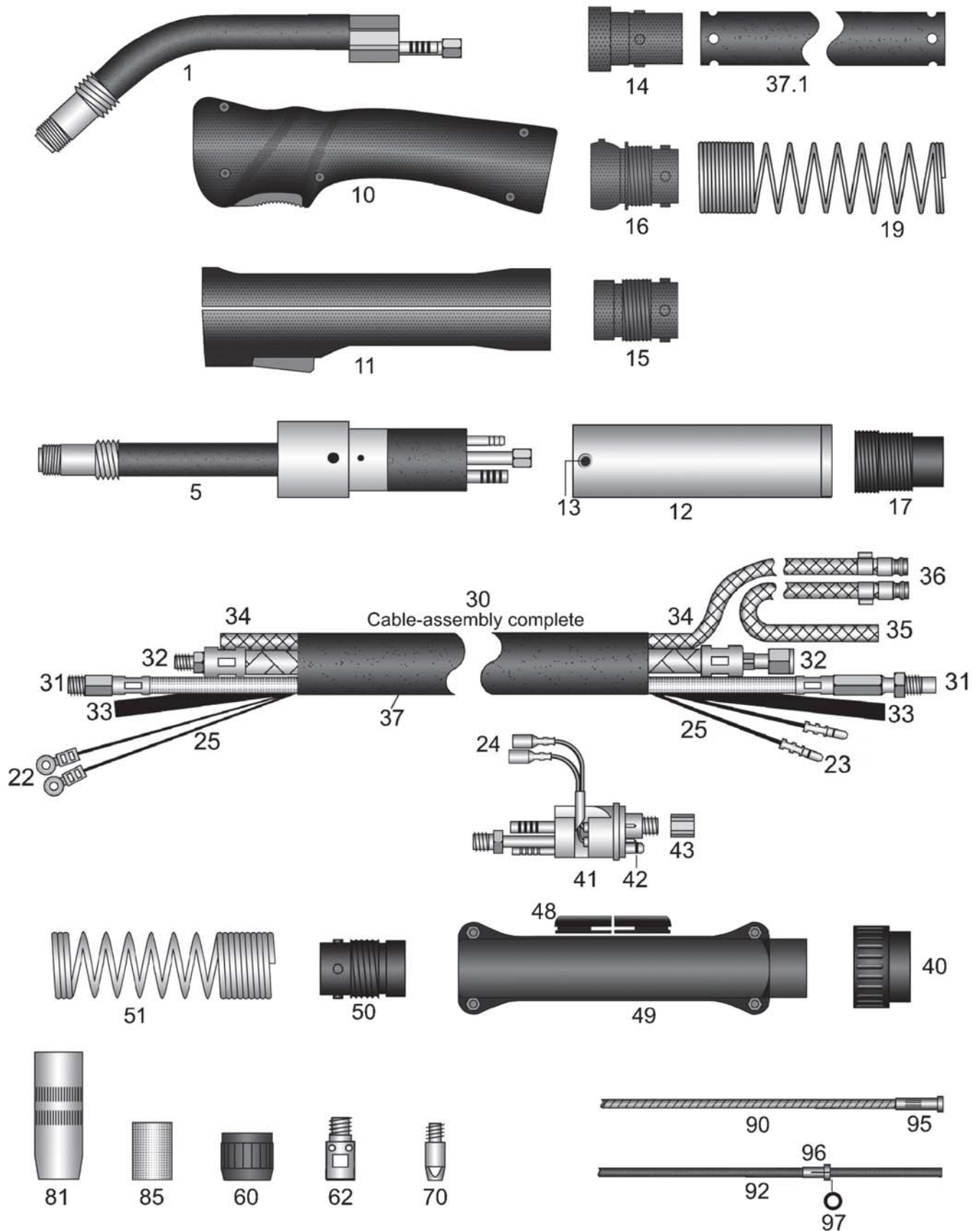
Holch Schweißbrenner GmbH
Bühlstraße 14
D-57080 Siegen

Phone: +49(0)271 387860-11
Telefax: +49(0)271 387860-29
E-Mail: info@holch-siegen.de
Web: www.holch-siegen.de



MHS 81-D water-cooled

400 Ampere at 100% duty cycle (CO₂) - 350 Ampere at 100% duty cycle (mixed gas)



Operating instruction

Screw laminated fabric-tension sleeve right-hand thread (60) down until it goes no further. Then, screw down heavy duty insulating sleeve left-hand thread (85) until it goes no further. Slide the Gas nozzle (81) over the insulating sleeve (85). Now, screw back the laminated fabric-tension sleeve (60). The insulating sleeve (85) is hereby pushed outside and holds the gas nozzle.

HSN 124

Welding-torch MIG-MAG water-cooled**400A at 100% duty cycle (CO2) - 350A at 100% duty cycle (mixed gas)****Art.-No.****Spare parts as torch MHS 82-D gas-cooled**

| | |
|----------|----------------------------------------------------|
| 81000311 | Torch MHS 81-D / 3m EURO central adapter |
| 81000411 | Torch MHS 81-D / 4m EURO central adapter |
| 81000511 | Torch MHS 81-D / 5m EURO central adapter |
| 81500311 | AUTomatic-torch MHS 81-D / 3m EURO central adapter |

**For torches without EURO central-adaptor the following prices apply.
Please note that for some special machine side connections surcharges may arise,
which you will find in the appendix "A" custom made products.**

| | |
|----------|----------------------------------|
| 81000301 | Torch MHS 81-D / 3m |
| 81000401 | Torch MHS 81-D / 4m |
| 81000501 | Torch MHS 81-D / 5m |
| 81500301 | AUTomatic-torch MHS 81-D-M8 / 3m |

Special lengths for hand- and AUTomatic-torches please notice appendix "B".

Torches with flexible and highly heat resistant cable assemblies available for small surcharges! Please see appendix "B"

| | |
|---------------|---------------------------------------------------------------------------|
| pg000001 | Surcharge: Pistol-shape-handle / stabilizer |
| N.i. 91912453 | Heat protection shield for pistol handle, screws included |
| 29004602 | Surcharge: Torch body with custom bending |
| 91900102 | Adapter EURO central adapter fits power source with Dinse central adapter |

Torch body and AUTomatic torch body with rubber insulation, very massive power conduit, max. cooling water conduits, complete with contact tip holder M8.

| | | |
|------|----------|----------------------------------------------------------------|
| 1 | 81910001 | Torch body |
| N.i. | 30405001 | Surcharge: with brazen inner tube ID3-AD4mm for aluminium wire |
| 5 | 81915001 | AUTomatic-torch body |

Handles complete with switch, screws and ball joint

| | | |
|------|----------|-----------------------------------------------------------------------|
| 10 | 91912536 | Ratio-handle 20mm with ball joint |
| 10 | 91912436 | Ratio-handle 20mm standard (without ball joint) |
| N.i. | 91912438 | Ratio microswitch DC2 also fits RAUCH handle |
| N.i. | 91912439 | Push button red for Ratio handle also fits RAUCH handle |
| N.i. | 91912441 | Ratio spring fits button Ratio grip handle |
| 11 | 91912103 | Industry-handle 20mm with ball joint |
| 11 | 91912431 | Industry-handle 20mm standard (without ball joint) |
| N.i. | 91920411 | Switch-set fits industry-handle for 16/18/20mm (11 parts) |
| N.i. | 91920702 | Screw M3x11,5mm fits Ratio/Industry/RAUCH handle and cable support |
| N.i. | 91920703 | M3 mounting socket fits Ratio/Industry/RAUCH handle and cable support |

| | | |
|----|----------|--------------------------------------------------------------|
| 12 | 91912921 | AUT handle tube, brass-cladded AD38mm for AUT-torch standard |
| 13 | 91912911 | Holding screw M4x6mm fits AUT handle tube |

| | | |
|----|----------|------------------------------------------------------------|
| 14 | 50191251 | Rubber cable-support RETRO |
| 15 | 91912701 | Spring socket pistol side fits handle without ball joint |
| 16 | 91912704 | Spring socket pistol side fits handle with ball joint |
| 17 | 91912711 | AUT spring socket |
| 19 | 91912501 | Cable support spring pistol-side fits water-cooled torches |

Welding-torch MIG-MAG water-cooled**400A at 100% duty cycle (CO2) - 350A at 100% duty cycle (mixed gas)**

| Art.-No. | | |
|----------------------------------------------------------------------------------------------------------------------------------|----------|-----------------------------------------------------------------------------------------|
| N.i. | 91912511 | AUT cable support spring (long design) |
| N.i. | 91912521 | AUT suspension spring |
| N.i. | 91912531 | AUT carabiner |
| N.i. | 10089001 | Single stroke button (rubber) |
| | | |
| 22 | 91902811 | Cable-plug fits industry-handle |
| 23 | 91902901 | Male connector cable-plug for machine side EURO central adapter |
| 24 | 91903001 | Female connector cable-plug fits machine side EURO central adapter |
| 25 | 91902502 | Meter control line flat, 4x0,5mm ² (available on reels 200m) |
| | | |
| Spare cable-assemblies complete with cable support spring and fittings. Standard or with ball joint - please specify! | | |
| 30 | 09200312 | Spare cable assembly 3m / without EURO central adapter |
| 30 | 09200412 | Spare cable assembly 4m / without EURO central adapter |
| 30 | 09200512 | Spare cable assembly 5m / without EURO central adapter |
| | | |
| Supply lines and thermo-hoses, superflexible and highly heat resistant please see appendix "C" and "D" | | |
| 31 | 0950a311 | Wire conduit flexible MHS / 3m EURO central adapter (flexible) |
| 31 | 0950a411 | Wire conduit flexible MHS / 4m EURO central adapter (flexible) |
| 31 | 0950a511 | Wire conduit flexible MHS / 5m EURO central adapter (flexible) |
| | | |
| 32 | 09400311 | ST 80 PVC-NIT power/water cable MHS / 3m EURO central adapter |
| 32 | 09400411 | ST 80 PVC-NIT power/water cable MHS / 4m EURO central adapter |
| 32 | 09400511 | ST 80 PVC-NIT power/water cable MHS / 5m EURO central adapter |
| | | |
| Supply lines for AUTomatic torches. | | |
| 31 | 0950d311 | AUT wire conduit MHS / 3m EURO central adapter white (hard) |
| 32 | 09400313 | HT 110 rubber fabric hose power/water cable MHS / 3m EURO central adapter |
| | | |
| Reel goods: Prices are per meter and only applicable if a complete reel is purchased. | | |
| 33 | 41500001 | Meter ST 70 PVC hose ID4,0-W1,5mm black for gas (100m) |
| 34 | 50150001 | Meter ST 80 PVC-NIT fabric hose ID5,0-W1,5mm blue for water (100m) |
| 35 | 50151001 | Meter ST 80 PVC-NIT fabric hose ID5,0-W1,5mm red for water (100m) |
| | | |
| 36 | 91901001 | Cooling liquid plug nipples EURO |
| N.i. | 91901008 | Closing cap blue fits cooling liquid plug nipples EURO |
| N.i. | 91901009 | Closing cap red fits cooling liquid plug nipples EURO |
| | | |
| 37 | 25151001 | Meter rubberized fabric protective hose ID25-W1,5mm (40m) |
| 37.1 | 25151311 | Rubberized fabric protective hose ID25-W1,5mm perforated fits 3m / EURO central adapter |
| 37.1 | 25151411 | Rubberized fabric protective hose ID25-W1,5mm perforated fits 4m / EURO central adapter |
| 37.1 | 25151511 | Rubberized fabric protective hose ID25-W1,5mm perforated fits 5m / EURO central adapter |
| | | |
| 40 | 91900701 | Terminal nut insulated fits EURO central adapter |
| 41 | 91900201 | Central adapter fixed contact-pins EURO central adapter |
| 41 | 91900206 | Central adapter spring contact-pins EURO central adapter |
| 42 | 91900801 | O-ring ID4-W1mm fits gas-nipple EURO central adapter |
| 43 | 91900901 | Coupling nut IT-M10x1 (rounded edges) fits EURO central adapter |
| | | |
| 48 | 91901011 | Rubber-hose-fence fits cable support |

Welding-torch MIG-MAG water-cooled**400A at 100% duty cycle (CO₂) - 350A at 100% duty cycle (mixed gas)**

| Art.-No. | | |
|---------------------------------------------------------------------|----------|-----------------------------------------------------------------------|
| 49 | 91900561 | Cable support machine side (screws included) EURO central adapter |
| N.i. | 91920702 | Screw M3x11,5mm fits Ratio/Industry/RAUCH handle and cable support |
| N.i. | 91920703 | M3 mounting socket fits Ratio/Industry/RAUCH handle and cable support |
| N.i. | 91900601 | Attachment screw M4x6mm fits cable support EURO central adapter |
| 50 | 91912801 | Spring-socket EURO central adapter |
| 51 | 91912601 | Cable support spring fits EURO / ESAB central adapter |
| 60 | 81912001 | Laminated fabric-tension sleeve right-hand thread |
| 62 | 92981001 | Contact tip holder IT-M8 AD13-L28mm |
| 70 | 83008001 | Contact tip M8-L30-AD10 0,8 |
| 70 | 83010001 | Contact tip M8-L30-AD10 1,0 |
| 70 | 83012001 | Contact tip M8-L30-AD10 1,2 |
| 70 | 83014001 | Contact tip M8-L30-AD10 1,4 |
| 70 | 83010401 | Contact tip M8-L30-AD10 CuCrZr 1,0 |
| 70 | 83012401 | Contact tip M8-L30-AD10 CuCrZr 1,2 |
| 70 | 83014401 | Contact tip M8-L30-AD10 CuCrZr 1,4 |
| 70 | 83008301 | Contact tip M8-L30-AD10 0,8 nickel-plated |
| 70 | 83010301 | Contact tip M8-L30-AD10 1,0 nickel-plated |
| 70 | 83012301 | Contact tip M8-L30-AD10 1,2 nickel-plated |
| 70 | 83014301 | Contact tip M8-L30-AD10 1,4 nickel-plated |
| 70 | 83008a01 | Contact tip M8-L30-D10 0,8-A for aluminium wire |
| 70 | 83010a01 | Contact tip M8-L30-D10 1,0-A for aluminium wire |
| 70 | 83012a01 | Contact tip M8-L30-D10 1,2-A for aluminium wire |
| 81 | 81931001 | Gas nozzle conical-ID17mm |
| 85 | 81912101 | Laminated fabric-tension sleeve left-hand thread |
| Spirals and liners also available in other sizes on inquiry! | | |
| 90 | 20450311 | Guide spiral-line ID2,0-AD4,5 fits 3m / EURO central adapter |
| 90 | 20450411 | Guide spiral-line ID2,0-AD4,5 fits 4m / EURO central adapter |
| 90 | 20450511 | Guide spiral-line ID2,0-AD4,5 fits 5m / EURO central adapter |
| 92 | 20393311 | PTFE-carbon core liner ID2,0-AD3,9 fits 3m / EURO central adapter |
| 92 | 20393411 | PTFE-carbon core liner ID2,0-AD3,9 fits 4m / EURO central adapter |
| 92 | 20393511 | PTFE-carbon core liner ID2,0-AD3,9 fits 5m / EURO central adapter |
| 92 | 20406311 | PA-core liner black ID2,0-AD4,0 fits 3m / EURO central adapter |
| 92 | 20406411 | PA-core liner black ID2,0-AD4,0 fits 4m / EURO central adapter |
| 92 | 20406511 | PA-core liner black ID2,0-AD4,0 fits 5m / EURO central adapter |
| 92 | 23476311 | PA-core liner black ID2,3-AD4,7 fits 3m / EURO central adapter |
| 92 | 23476411 | PA-core liner black ID2,3-AD4,7 fits 4m / EURO central adapter |
| 92 | 23476511 | PA-core liner black ID2,3-AD4,7 fits 5m / EURO central adapter |
| N.i. | 20405002 | Brass spiral liner blue L300mm IG fits AD3,9/4,0mm |
| N.i. | 20405001 | Brass spiral liner green L300mm IG fits AD4,7mm |
| 95 | 91905721 | Nipple fits spiral liner EURO central adapter AD 4,5mm |
| 96 | 91906111 | Nipple fits core liner EURO central adapter AD3,9/4,0mm |
| 96 | 91906121 | Nipple fits core liner EURO central adapter AD 4,7mm |

Welding-torch MIG-MAG water-cooled

400A at 100% duty cycle (CO2) - 350A at 100% duty cycle (mixed gas)

Art.-No.

| | | |
|----|----------|------------------------------------|
| 97 | 91906131 | O-ring ID3,5-W1,5 fits core liners |
|----|----------|------------------------------------|

| | | |
|------|----------|--------------------------------------------|
| N.i. | 91906112 | Support tube, brass ID4,4 - AD5,0 - L200mm |
|------|----------|--------------------------------------------|

Torch MHS 92-D water-cooled

The factory standard gear is marked in red.



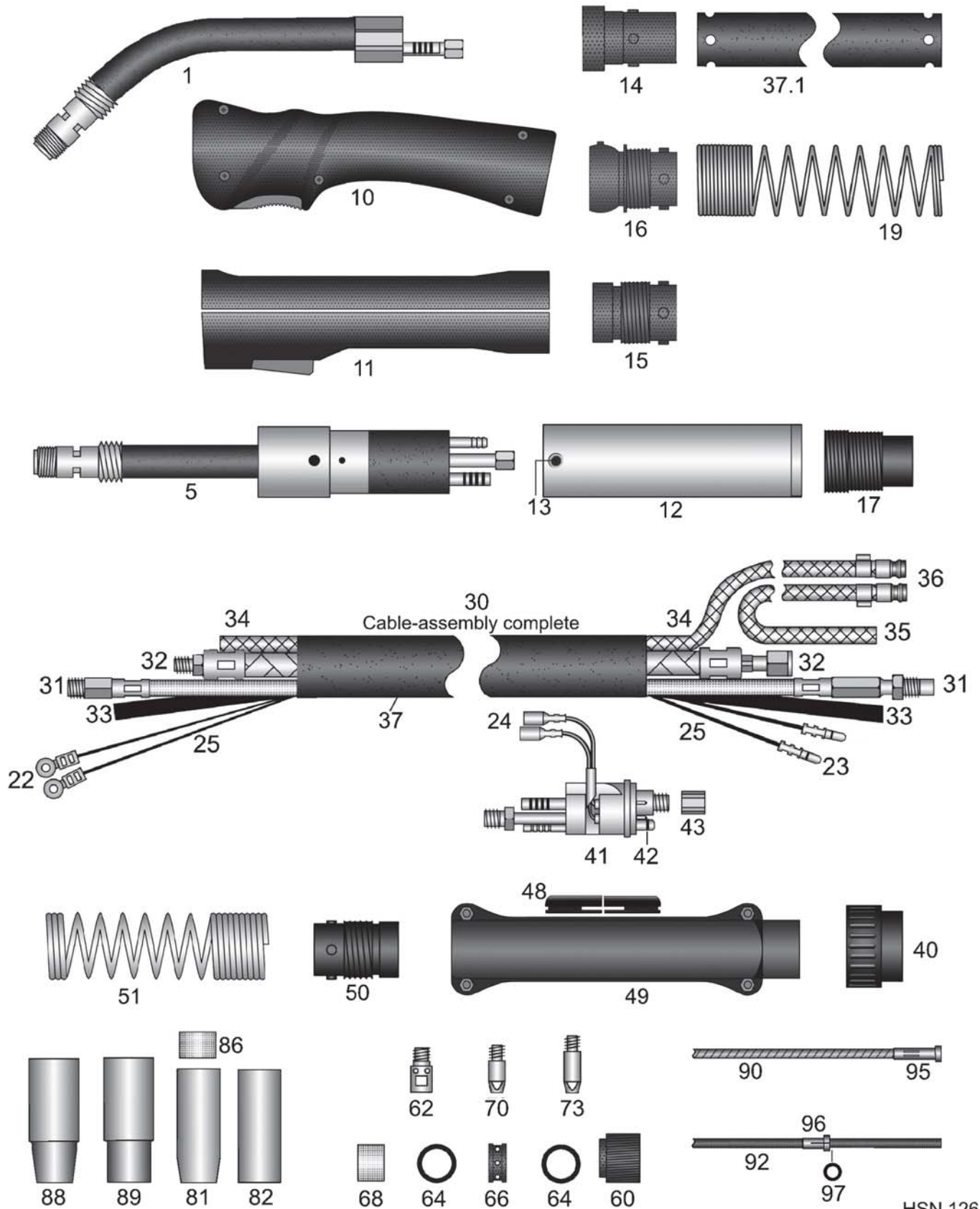
Holch Schweißbrenner GmbH
Bühlstraße 14
D-57080 Siegen

Phone: +49(0)271 387860-11
Telefax: +49(0)271 387860-29
E-Mail: info@holch-siegen.de
Web: www.holch-siegen.de



MHS 92-D water-cooled

450 Ampere at 100% duty cycle (CO₂) - 400 Ampere at 100% duty cycle (mixed gas)



Operating instruction

Screw laminated fabric-tension sleeve right-hand thread (60) down until it goes no further. Then, mount rubber flating (64), water distributor (66) and a second rubber flating (64). Screw down insulating sleeve left-hand thread (68) until it goes no further. Slide insulation for gas nozzle (86) into the gas nozzle (81,82,88,89). Slide the gas nozzle over the cooling system. Now, screw back the laminated fabric-tension sleeve. The rubber flatings are being compressed and pushed to the outside, sealing the water circulation system and holding the gas nozzle.

HSN 126

Welding-torch MIG-MAG water-cooled**450A at 100% duty cycle (CO2) - 400A at 100% duty cycle (mixed gas)**

| Art.-No. | |
|-----------------|----------------------------------------------------|
| 92000311 | Torch MHS 92-D / 3m EURO central adapter |
| 92000411 | Torch MHS 92-D / 4m EURO central adapter |
| 92000511 | Torch MHS 92-D / 5m EURO central adapter |
| 92500311 | AUTomatic-torch MHS 92-D / 3m EURO central adapter |

**For torches without EURO central-adaptor the following prices apply.
Please note that for some special machine side connections surcharges may arise,
which you will find in the appendix "A" custom made products.**

| | |
|----------|----------------------------------|
| 92000301 | Torch MHS 92-D / 3m |
| 92000401 | Torch MHS 92-D / 4m |
| 92000501 | Torch MHS 92-D / 5m |
| 92500301 | AUTomatic-torch MHS 92-D-M8 / 3m |

Special lengths for hand- and AUTomatic-torches please notice appendix "B".

Torches with flexible and highly heat resistant cable assemblies available for small surcharges! Please see appendix "B"

| | |
|---------------|-----------------------------------------------------------|
| pg000001 | Surcharge: Pistol-shape-handle / stabilizer |
| N.i. 91912453 | Heat protection shield for pistol handle, screws included |
| 29004602 | Surcharge: Torch body with custom bending |

| | |
|----------|---------------------------------------------------------------------------|
| 91900102 | Adapter EURO central adapter fits power source with Dinse central adapter |
|----------|---------------------------------------------------------------------------|

Torch body and AUTomatic torch body with rubber insulation, very massive power conduit, max. cooling water conduits, complete with contact tip holder M8.

| | | |
|------|----------|----------------------------------------------------------------|
| 1 | 92910001 | Torch body |
| N.i. | 30405001 | Surcharge: with brazen inner tube ID3-AD4mm for aluminium wire |
| 5 | 92915001 | AUTomatic-torch body |

Handles complete with switch, screws and ball joint

| | | |
|------|----------|-----------------------------------------------------------------------|
| 10 | 91912536 | Ratio-handle 20mm with ball joint |
| 10 | 91912436 | Ratio-handle 20mm standard (without ball joint) |
| N.i. | 91912438 | Ratio microswitch DC2 also fits RAUCH handle |
| N.i. | 91912439 | Push button red for Ratio handle also fits RAUCH handle |
| N.i. | 91912441 | Ratio spring fits button Ratio grip handle |
| 11 | 91912103 | Industry-handle 20mm with ball joint |
| 11 | 91912431 | Industry-handle 20mm standard (without ball joint) |
| o.A | 91920411 | Switch-set fits industry-handle for 16/18/20mm (11 parts) |
| N.i. | 91920702 | Screw M3x11,5mm fits Ratio/Industry/RAUCH handle and cable support |
| N.i. | 91920703 | M3 mounting socket fits Ratio/Industry/RAUCH handle and cable support |

| | | |
|----|----------|--------------------------------------------------------------|
| 12 | 91912921 | AUT handle tube, brass-cladded AD38mm for AUT-torch standard |
| 13 | 91912911 | Holding screw M4x6mm fits AUT handle tube |

| | | |
|------|----------|------------------------------------------------------------|
| 14 | 50191251 | Rubber cable-support RETRO |
| 15 | 91912701 | Spring socket pistol side fits handle without ball joint |
| 16 | 91912704 | Spring socket pistol side fits handle with ball joint |
| 17 | 91912711 | AUT spring socket |
| 19 | 91912501 | Cable support spring pistol-side fits water-cooled torches |
| N.i. | 91912511 | AUT cable support spring (long design) |
| N.i. | 91912521 | AUT suspension spring |

Welding-torch MIG-MAG water-cooled**450A at 100% duty cycle (CO2) - 400A at 100% duty cycle (mixed gas)**

| Art.-No. | | |
|----------------------------------------------------------------------------------------------------------------------------------|----------|-----------------------------------------------------------------------------------------|
| N.i. | 91912531 | AUT carabiner |
| N.i. | 10089001 | Single stroke button (rubber) |
| 22 | 91902811 | Cable-plug fits industry-handle |
| 23 | 91902901 | Male connector cable-plug for machine side EURO central adapter |
| 24 | 91903001 | Female connector cable-plug fits machine side EURO central adapter |
| 25 | 91902502 | Meter control line flat, 4x0,5mm ² (available on reels 200m) |
| Spare cable-assemblies complete with cable support spring and fittings. Standard or with ball joint - please specify! | | |
| 30 | 09200312 | Spare cable assembly 3m / without EURO central adapter |
| 30 | 09200412 | Spare cable assembly 4m / without EURO central adapter |
| 30 | 09200512 | Spare cable assembly 5m / without EURO central adapter |
| Supply lines and thermo-hoses, superflexible and highly heat resistant please see appendix "C" and "D" | | |
| 31 | 0950a311 | Wire conduit flexible MHS / 3m EURO central adapter (flexible) |
| 31 | 0950a411 | Wire conduit flexible MHS / 4m EURO central adapter (flexible) |
| 31 | 0950a511 | Wire conduit flexible MHS / 5m EURO central adapter (flexible) |
| 32 | 09400311 | ST 80 PVC-NIT power/water cable MHS / 3m EURO central adapter |
| 32 | 09400411 | ST 80 PVC-NIT power/water cable MHS / 4m EURO central adapter |
| 32 | 09400511 | ST 80 PVC-NIT power/water cable MHS / 5m EURO central adapter |
| Supply lines for AUTomatic torches. | | |
| 31 | 0950d311 | AUT wire conduit MHS / 3m EURO central adapter white (hard) |
| 32 | 09400313 | HT 110 rubber fabric hose power/water cable MHS / 3m EURO central adapter |
| Reel goods: Prices are per meter and only applicable if a complete reel is purchased. | | |
| 33 | 41500001 | Meter ST 70 PVC hose ID4,0-W1,5mm black for gas (100m) |
| 34 | 50150001 | Meter ST 80 PVC-NIT fabric hose ID5,0-W1,5mm blue for water (100m) |
| 35 | 50151001 | Meter ST 80 PVC-NIT fabric hose ID5,0-W1,5mm red for water (100m) |
| 36 | 91901001 | Cooling liquid plug nipples EURO |
| N.i. | 91901008 | Closing cap blue fits cooling liquid plug nipples EURO |
| N.i. | 91901009 | Closing cap red fits cooling liquid plug nipples EURO |
| 37 | 25151001 | Meter rubberized fabric protective hose ID25-W1,5mm (40m) |
| 37.1 | 25151311 | Rubberized fabric protective hose ID25-W1,5mm perforated fits 3m / EURO central adapter |
| 37.1 | 25151411 | Rubberized fabric protective hose ID25-W1,5mm perforated fits 4m / EURO central adapter |
| 37.1 | 25151511 | Rubberized fabric protective hose ID25-W1,5mm perforated fits 5m / EURO central adapter |
| 40 | 91900701 | Terminal nut insulated fits EURO central adapter |
| 41 | 91900201 | Central adapter fixed contact-pins EURO central adapter |
| 41 | 91900206 | Central adapter spring contact-pins EURO central adapter |
| 42 | 91900801 | O-ring ID4-W1mm fits gas-nipple EURO central adapter |
| 43 | 91900901 | Coupling nut IT-M10x1 (rounded edges) fits EURO central adapter |
| 48 | 91901011 | Rubber-hose-fence fits cable support |
| 49 | 91900561 | Cable support machine side (screws included) EURO central adapter |
| N.i. | 91920702 | Screw M3x11,5mm fits Ratio/Industry/RAUCH handle and cable support |

Welding-torch MIG-MAG water-cooled

450A at 100% duty cycle (CO₂) - 400A at 100% duty cycle (mixed gas)

| Art.-No. | | |
|----------------------------------------------------------------------------------------|----------|--------------------------------------------------------------------------------|
| N.i. | 91920703 | M3 mounting socket fits Ratio/Industry/RAUCH handle and cable support |
| N.i. | 91900601 | Attachment screw M4x6mm fits cable support EURO central adapter |
| 50 | 91912801 | Spring-socket EURO central adapter |
| 51 | 91912601 | Cable support spring fits EURO / ESAB central adapter |
| 60 | 92912401 | Laminated fabric-tension sleeve with right hand thread |
| 62 | 92981001 | Contact tip holder IT-M8 AD13-L28mm |
| 64 | 92912201 | Flat silicon ring ID17-W2,5mm |
| 66 | 92912301 | Water distributor |
| 68 | 92912001 | Insulating sleeve with left hand thread |
| | | |
| 70 | 83008001 | Contact tip M8-L30-AD10 0,8 |
| 70 | 83010001 | Contact tip M8-L30-AD10 1,0 |
| 70 | 83012001 | Contact tip M8-L30-AD10 1,2 |
| 70 | 83014001 | Contact tip M8-L30-AD10 1,4 |
| 70 | 83016001 | Contact tip M8-L30-AD10 1,6 |
| 70 | 83020001 | Contact tip M8-L30-AD10 2,0 |
| 70 | 83010401 | Contact tip M8-L30-AD10 CuCrZr 1,0 |
| 70 | 83012401 | Contact tip M8-L30-AD10 CuCrZr 1,2 |
| 70 | 83014401 | Contact tip M8-L30-AD10 CuCrZr 1,4 |
| 70 | 83016401 | Contact tip M8-L30-AD10 CuCrZr 1,6 |
| 70 | 83020401 | Contact tip M8-L30-AD10 CuCrZr 2,0 |
| 70 | 83008301 | Contact tip M8-L30-AD10 0,8 nickel-plated |
| 70 | 83010301 | Contact tip M8-L30-AD10 1,0 nickel-plated |
| 70 | 83012301 | Contact tip M8-L30-AD10 1,2 nickel-plated |
| 70 | 83014301 | Contact tip M8-L30-AD10 1,4 nickel-plated |
| 70 | 83016301 | Contact tip M8-L30-AD10 1,6 nickel-plated |
| | | |
| 70 | 83008a01 | Contact tip M8-L30-D10 0,8-A for aluminium wire |
| 70 | 83010a01 | Contact tip M8-L30-D10 1,0-A for aluminium wire |
| 70 | 83012a01 | Contact tip M8-L30-D10 1,2-A for aluminium wire |
| 70 | 83018301 | Contact tip M8-L30-D10 1,6-A nickel-plated for aluminium wire |
| | | |
| HD-contact tips M8x36 fits HD-gas nozzle (pos.88 + pos.89) with coolant-chamber | | |
| 73 | 83610401 | HD-contact tip M8-L36-AD10 CuCrZr 1,0 |
| 73 | 83612401 | HD-contact tip M8-L36-AD10 CuCrZr 1,2 |
| 73 | 83614401 | HD-contact tip M8-L36-AD10 CuCrZr 1,4 |
| 73 | 83616401 | HD-contact tip M8-L36-AD10 CuCrZr 1,6 |
| 73 | 83620401 | HD-contact tip M8-L36-AD10 CuCrZr 2,0 |
| 73 | 83624401 | HD-contact tip M8-L36-AD10 CuCrZr 2,4 |
| 73 | 83628401 | HD-contact tip M8-L36-AD10 CuCrZr 2,8 |
| | | |
| 73 | 83608a41 | HD-contact tip M8-L36-D10 CuCrZr 0,8-A for aluminium wire |
| 73 | 83610a41 | HD-contact tip M8-L36-D10 CuCrZr 1,0-A for aluminium wire |
| 73 | 83612a41 | HD-contact tip M8-L36-D10 CuCrZr 1,2-A for aluminium wire |
| 73 | 83618301 | HD-contact tip M8-L36-D10 1,6A nickel-plated for aluminium wire |
| | | |
| 81 | 92930001 | Gas nozzle conical-ID17mm |
| 82 | 92933001 | Gas nozzle cylindric-ID21mm |
| 86 | 92912101 | Insulating fits gas nozzle |
| | | |
| 88 | 92933021 | HD-gas nozzle with coolant-chamber cylindric-ID21mm fits HD-contact tips M8x36 |
| 89 | 92930041 | HD-gas nozzle with coolant-chamber conical-ID17mm fits HD-contact tips M8x36 |

Welding-torch MIG-MAG water-cooled**450A at 100% duty cycle (CO₂) - 400A at 100% duty cycle (mixed gas)****Art.-No.****Spirals and liners also available in other sizes on inquiry!**

| | | |
|------|----------|-------------------------------------------------------------------|
| 90 | 20450311 | Guide spiral-line ID2,0-AD4,5 fits 3m / EURO central adapter |
| 90 | 20450411 | Guide spiral-line ID2,0-AD4,5 fits 4m / EURO central adapter |
| 90 | 20450511 | Guide spiral-line ID2,0-AD4,5 fits 5m / EURO central adapter |
| 90 | 25450311 | Guide spiral-line ID2,5-AD4,5 fits 3m / EURO central adapter |
| 90 | 25450411 | Guide spiral-line ID2,5-AD4,5 fits 4m / EURO central adapter |
| 90 | 25450511 | Guide spiral-line ID2,5-AD4,5 fits 5m / EURO central adapter |
| 92 | 20393311 | PTFE-carbon core liner ID2,0-AD3,9 fits 3m / EURO central adapter |
| 92 | 20393411 | PTFE-carbon core liner ID2,0-AD3,9 fits 4m / EURO central adapter |
| 92 | 20393511 | PTFE-carbon core liner ID2,0-AD3,9 fits 5m / EURO central adapter |
| 92 | 27473311 | PTFE-carbon core liner ID2,7-AD4,7 fits 3m / EURO central adapter |
| 92 | 27473411 | PTFE-carbon core liner ID2,7-AD4,7 fits 4m / EURO central adapter |
| 92 | 27473511 | PTFE-carbon core liner ID2,7-AD4,7 fits 5m / EURO central adapter |
| 92 | 20406311 | PA-core liner black ID2,0-AD4,0 fits 3m / EURO central adapter |
| 92 | 20406411 | PA-core liner black ID2,0-AD4,0 fits 4m / EURO central adapter |
| 92 | 20406511 | PA-core liner black ID2,0-AD4,0 fits 5m / EURO central adapter |
| 92 | 23476311 | PA-core liner black ID2,3-AD4,7 fits 3m / EURO central adapter |
| 92 | 23476411 | PA-core liner black ID2,3-AD4,7 fits 4m / EURO central adapter |
| 92 | 23476511 | PA-core liner black ID2,3-AD4,7 fits 5m / EURO central adapter |
| 92 | 29476311 | PA-core liner black ID2,9-AD4,7 fits 3m / EURO central adapter |
| 92 | 29476411 | PA-core liner black ID2,9-AD4,7 fits 4m / EURO central adapter |
| 92 | 29476511 | PA-core liner black ID2,9-AD4,7 fits 5m / EURO central adapter |
| N.i. | 20405002 | Brass spiral liner blue L300mm IG fits AD3,9/4,0mm |
| N.i. | 20405001 | Brass spiral liner green L300mm IG fits AD4,7mm |
| 95 | 91905721 | Nipple fits spiral liner EURO central adapter AD 4,5mm |
| 96 | 91906111 | Nipple fits core liner EURO central adapter AD3,9/4,0mm |
| 96 | 91906121 | Nipple fits core liner EURO central adapter AD 4,7mm |
| 97 | 91906131 | O-ring ID3,5-W1,5 fits core liners |
| N.i. | 91906112 | Support tube, brass ID4,4 - AD5,0 - L200mm |

Torch MHS 95-D water-cooled

The factory standard gear is marked in red.



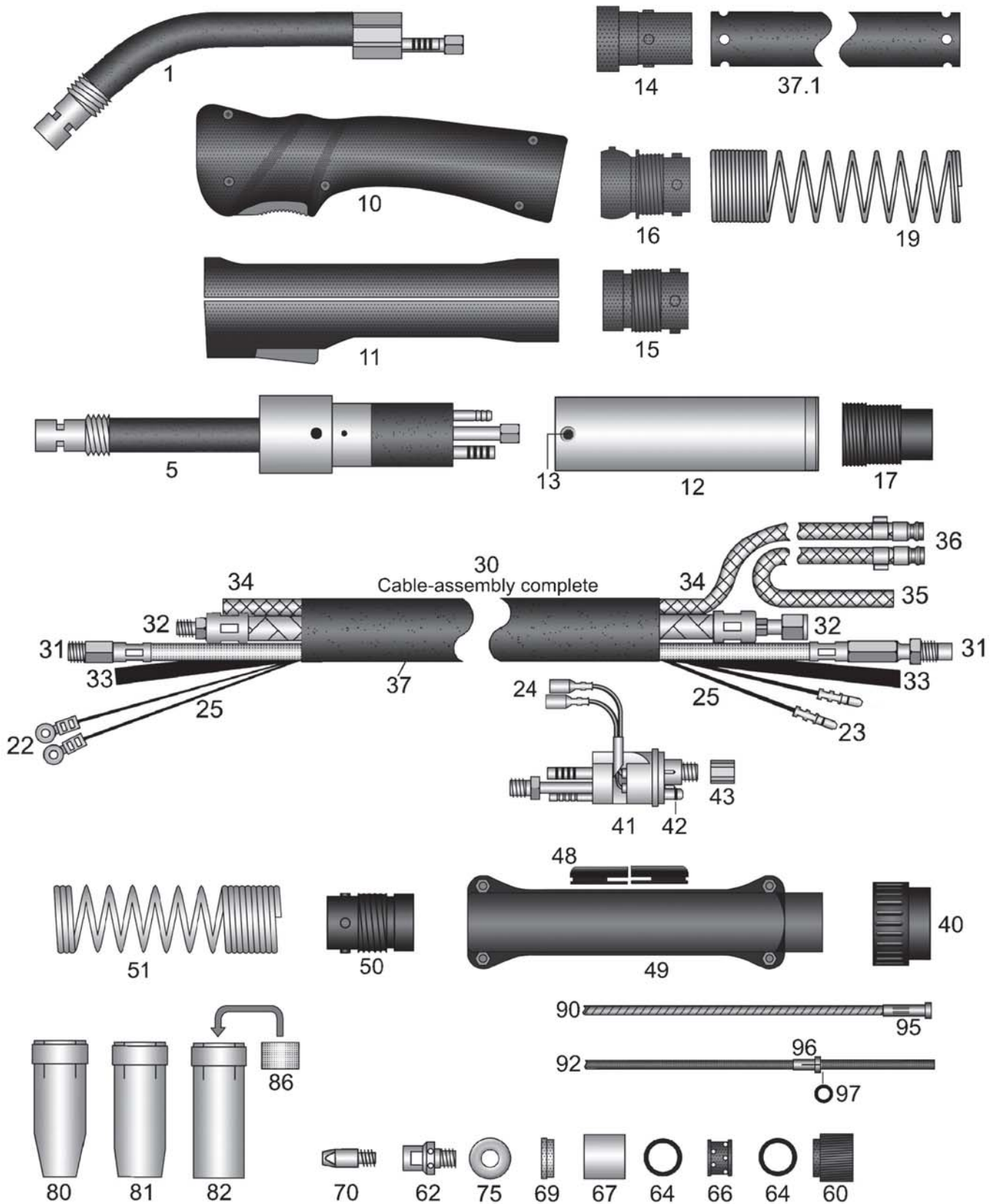
Holch Schweißbrenner GmbH
Bühlstraße 14
D-57080 Siegen

Phone: +49(0)271 387860-11
Telefax: +49(0)271 387860-29
E-Mail: info@holch-siegen.de
Web: www.holch-siegen.de



MHS 95-D water-cooled

450 Ampere at 100% duty cycle (CO₂) - 400 Ampere at 100% duty cycle (mixed gas)



Operating instruction

Screw laminated fabric-tension sleeve right-hand thread (60) down until it goes no further. Then, mount rubber flating (64), water distributor (66) and a second rubber flating (64). Slide brazen sleeve over the so assembled parts against the laminated fabric-tension sleeve. Now, mount the plug insulating sleeve (69) and the support shim (75). Screw in the contact tip holder (62) and tighten with jaw wrench. Now, screw back the laminated fabric-tension sleeve. The rubber flatings are being compressed and pushed to the outside, sealing the water circulation system and holding the brazen sleeve. Screw in contact tip and mount gas nozzle (80,81,82) with insulation (86).

HSN 127

Welding-torch MIG-MAG water-cooled**450A at 100% duty cycle (CO2) - 400A at 100% duty cycle (mixed gas)**

| Art.-No. | |
|------------------------------------------------------------------------------------------------------------------------------------------------------------------------------------------------------------------------------------|---------------------------------------------------------------------------|
| 95000311 | Torch MHS 95-D / 3m EURO central adapter |
| 95000411 | Torch MHS 95-D / 4m EURO central adapter |
| 95000511 | Torch MHS 95-D / 5m EURO central adapter |
| 95500311 | AUTomatic-torch MHS 95-D / 3m EURO central adapter |
| For torches without EURO central-adaptor the following prices apply. Please note that for some special machine side connections surcharges may arise, which you will find in the appendix "A" custom made products. | |
| 95000301 | Torch MHS 95-D / 3m |
| 95000401 | Torch MHS 95-D / 4m |
| 95000501 | Torch MHS 95-D / 5m |
| 95500301 | AUTomatic-torch MHS 95-D / 3m |
| Special lengths for hand- and AUTomatic-torches please notice appendix "B". | |
| Torches with flexible and highly heat resistant cable assemblies available for small surcharges! Please see appendix "B" | |
| pg000001 | Surcharge: Pistol-shape-handle / stabilizer |
| N.i. 91912453 | Heat protection shield for pistol handle, screws included |
| 29004602 | Surcharge: Torch body with custom bending |
| 91900102 | Adapter EURO central adapter fits power source with Dinse central adapter |
| Torch body and AUTomatic torch body with rubber insulation, very massive power conduit, and max. cooling water conduits. | |
| 1 | 95910001 Torch body |
| N.i. 30405001 | Surcharge: with brazen inner tube ID3-AD4mm for aluminium wire |
| 5 | 95915001 AUTomatic-torch body |
| Handles complete with switch, screws and ball joint | |
| 10 | 91912536 Ratio-handle 20mm with ball joint |
| 10 | 91912436 Ratio-handle 20mm standard (without ball joint) |
| N.i. 91912438 | Ratio microswitch DC2 also fits RAUCH handle |
| N.i. 91912439 | Push button red for Ratio handle also fits RAUCH handle |
| N.i. 91912441 | Ratio spring fits button Ratio grip handle |
| 11 | 91912103 Industry-handle 20mm with ball joint |
| 11 | 91912431 Industry-handle 20mm standard (without ball joint) |
| o.A 91920411 | Switch-set fits industry-handle for 16/18/20mm (11 parts) |
| N.i. 91920702 | Screw M3x11,5mm fits Ratio/Industry/RAUCH handle and cable support |
| N.i. 91920703 | M3 mounting socket fits Ratio/Industry/RAUCH handle and cable support |
| 12 | 91912921 AUT handle tube, brass-cladded AD38mm for AUT-torch standard |
| 13 | 91912911 Holding screw M4x6mm fits AUT handle tube |
| 14 | 50191251 Rubber cable-support RETRO |
| 15 | 91912701 Spring socket pistol side fits handle without ball joint |
| 16 | 91912704 Spring socket pistol side fits handle with ball joint |
| 17 | 91912711 AUT spring socket |
| 19 | 91912501 Cable support spring pistol-side fits water-cooled torches |
| N.i. 91912511 | AUT cable support spring (long design) |
| N.i. 91912521 | AUT suspension spring |

Welding-torch MIG-MAG water-cooled**450A at 100% duty cycle (CO₂) - 400A at 100% duty cycle (mixed gas)**

| Art.-No. | | |
|----------------------------------------------------------------------------------------------------------------------------------|----------|-----------------------------------------------------------------------------------------|
| N.i. | 91912531 | AUT carabiner |
| N.i. | 10089001 | Single stroke button (rubber) |
| 22 | 91902811 | Cable-plug fits industry-handle |
| 23 | 91902901 | Male connector cable-plug for machine side EURO central adapter |
| 24 | 91903001 | Female connector cable-plug fits machine side EURO central adapter |
| 25 | 91902502 | Meter control line flat, 4x0,5mm ² (available on reels 200m) |
| Spare cable-assemblies complete with cable support spring and fittings. Standard or with ball joint - please specify! | | |
| 30 | 09200312 | Spare cable assembly 3m / without EURO central adapter |
| 30 | 09200412 | Spare cable assembly 4m / without EURO central adapter |
| 30 | 09200512 | Spare cable assembly 5m / without EURO central adapter |
| Supply lines and thermo-hoses, superflexible and highly heat resistant please see appendix "C" and "D" | | |
| 31 | 0950a311 | Wire conduit flexible MHS / 3m EURO central adapter (flexible) |
| 31 | 0950a411 | Wire conduit flexible MHS / 4m EURO central adapter (flexible) |
| 31 | 0950a511 | Wire conduit flexible MHS / 5m EURO central adapter (flexible) |
| 32 | 09400311 | ST 80 PVC-NIT power/water cable MHS / 3m EURO central adapter |
| 32 | 09400411 | ST 80 PVC-NIT power/water cable MHS / 4m EURO central adapter |
| 32 | 09400511 | ST 80 PVC-NIT power/water cable MHS / 5m EURO central adapter |
| Supply lines for AUTomatic torches. | | |
| 31 | 0950d311 | AUT wire conduit MHS / 3m EURO central adapter white (hard) |
| 32 | 09400313 | HT 110 rubber fabric hose power/water cable MHS / 3m EURO central adapter |
| Reel goods: Prices are per meter and only applicable if a complete reel is purchased. | | |
| 33 | 41500001 | Meter ST 70 PVC hose ID4,0-W1,5mm black for gas (100m) |
| 34 | 50150001 | Meter ST 80 PVC-NIT fabric hose ID5,0-W1,5mm blue for water (100m) |
| 35 | 50151001 | Meter ST 80 PVC-NIT fabric hose ID5,0-W1,5mm red for water (100m) |
| 36 | 91901001 | Cooling liquid plug nipples EURO |
| N.i. | 91901008 | Closing cap blue fits cooling liquid plug nipples EURO |
| N.i. | 91901009 | Closing cap red fits cooling liquid plug nipples EURO |
| 37 | 25151001 | Meter rubberized fabric protective hose ID25-W1,5mm (40m) |
| 37.1 | 25151311 | Rubberized fabric protective hose ID25-W1,5mm perforated fits 3m / EURO central adapter |
| 37.1 | 25151411 | Rubberized fabric protective hose ID25-W1,5mm perforated fits 4m / EURO central adapter |
| 37.1 | 25151511 | Rubberized fabric protective hose ID25-W1,5mm perforated fits 5m / EURO central adapter |
| 40 | 91900701 | Terminal nut insulated fits EURO central adapter |
| 41 | 91900201 | Central adapter fixed contact-pins EURO central adapter |
| 41 | 91900206 | Central adapter spring contact-pins EURO central adapter |
| 42 | 91900801 | O-ring ID4-W1mm fits gas-nipple EURO central adapter |
| 43 | 91900901 | Coupling nut IT-M10x1 (rounded edges) fits EURO central adapter |
| 48 | 91901011 | Rubber-hose-fence fits cable support |
| 49 | 91900561 | Cable support machine side (screws included) EURO central adapter |
| N.i. | 91920702 | Screw M3x11,5mm fits Ratio/Industry/RAUCH handle and cable support |

Welding-torch MIG-MAG water-cooled

450A at 100% duty cycle (CO₂) - 400A at 100% duty cycle (mixed gas)

| Art.-No. | | |
|---------------------------------------------------------------------|----------|-----------------------------------------------------------------------|
| N.i. | 91920703 | M3 mounting socket fits Ratio/Industry/RAUCH handle and cable support |
| N.i. | 91900601 | Attachment screw M4x6mm fits cable support EURO central adapter |
| 50 | 91912801 | Spring-socket EURO central adapter |
| 51 | 91912601 | Cable support spring fits EURO / ESAB central adapter |
| 60 | 92912401 | Laminated fabric-tension sleeve with right hand thread |
| 62 | 92981011 | Contact tip holder IT-M8 AD17-L28mm |
| 64 | 92912201 | Flat silicon ring ID17-W2,5mm |
| 66 | 95912501 | Water distributor |
| 67 | 95912701 | Brass Water-jacket |
| 69 | 95912601 | Insulating sleeve plugged complete with support shim |
| 70 | 83008001 | Contact tip M8-L30-AD10 0,8 |
| 70 | 83010001 | Contact tip M8-L30-AD10 1,0 |
| 70 | 83012001 | Contact tip M8-L30-AD10 1,2 |
| 70 | 83014001 | Contact tip M8-L30-AD10 1,4 |
| 70 | 83016001 | Contact tip M8-L30-AD10 1,6 |
| 70 | 83020001 | Contact tip M8-L30-AD10 2,0 |
| 70 | 83010401 | Contact tip M8-L30-AD10 CuCrZr 1,0 |
| 70 | 83012401 | Contact tip M8-L30-AD10 CuCrZr 1,2 |
| 70 | 83014401 | Contact tip M8-L30-AD10 CuCrZr 1,4 |
| 70 | 83016401 | Contact tip M8-L30-AD10 CuCrZr 1,6 |
| 70 | 83020401 | Contact tip M8-L30-AD10 CuCrZr 2,0 |
| 70 | 83008301 | Contact tip M8-L30-AD10 0,8 nickel-plated |
| 70 | 83010301 | Contact tip M8-L30-AD10 1,0 nickel-plated |
| 70 | 83012301 | Contact tip M8-L30-AD10 1,2 nickel-plated |
| 70 | 83014301 | Contact tip M8-L30-AD10 1,4 nickel-plated |
| 70 | 83016301 | Contact tip M8-L30-AD10 1,6 nickel-plated |
| 70 | 83008a01 | Contact tip M8-L30-D10 0,8-A for aluminium wire |
| 70 | 83010a01 | Contact tip M8-L30-D10 1,0-A for aluminium wire |
| 70 | 83012a01 | Contact tip M8-L30-D10 1,2-A for aluminium wire |
| 70 | 83018301 | Contact tip M8-L30-D10 1,6-A nickel-plated for aluminium wire |
| 75 | 92982012 | Contact tip holder-support shim nickel-plated |
| 80 | 95930021 | Gas nozzle conical-ID14mm (long cone) |
| 81 | 95930001 | Gas nozzle conical-ID17mm |
| 82 | 95933001 | Gas nozzle cylindric-21mm |
| 86 | 92912101 | Insulating fits gas nozzle |
| Spirals and liners also available in other sizes on inquiry! | | |
| 90 | 20450311 | Guide spiral-line ID2,0-AD4,5 fits 3m / EURO central adapter |
| 90 | 20450411 | Guide spiral-line ID2,0-AD4,5 fits 4m / EURO central adapter |
| 90 | 20450511 | Guide spiral-line ID2,0-AD4,5 fits 5m / EURO central adapter |
| 90 | 25450311 | Guide spiral-line ID2,5-AD4,5 fits 3m / EURO central adapter |
| 90 | 25450411 | Guide spiral-line ID2,5-AD4,5 fits 4m / EURO central adapter |
| 90 | 25450511 | Guide spiral-line ID2,5-AD4,5 fits 5m / EURO central adapter |
| 92 | 20393311 | PTFE-carbon core liner ID2,0-AD3,9 fits 3m / EURO central adapter |
| 92 | 20393411 | PTFE-carbon core liner ID2,0-AD3,9 fits 4m / EURO central adapter |
| 92 | 20393511 | PTFE-carbon core liner ID2,0-AD3,9 fits 5m / EURO central adapter |

Welding-torch MIG-MAG water-cooled**450A at 100% duty cycle (CO2) - 400A at 100% duty cycle (mixed gas)**

| Art.-No. | | |
|-----------------|----------|-------------------------------------------------------------------|
| 92 | 27473311 | PTFE-carbon core liner ID2,7-AD4,7 fits 3m / EURO central adapter |
| 92 | 27473411 | PTFE-carbon core liner ID2,7-AD4,7 fits 4m / EURO central adapter |
| 92 | 27473511 | PTFE-carbon core liner ID2,7-AD4,7 fits 5m / EURO central adapter |
| 92 | 20406311 | PA-core liner black ID2,0-AD4,0 fits 3m / EURO central adapter |
| 92 | 20406411 | PA-core liner black ID2,0-AD4,0 fits 4m / EURO central adapter |
| 92 | 20406511 | PA-core liner black ID2,0-AD4,0 fits 5m / EURO central adapter |
| 92 | 23476311 | PA-core liner black ID2,3-AD4,7 fits 3m / EURO central adapter |
| 92 | 23476411 | PA-core liner black ID2,3-AD4,7 fits 4m / EURO central adapter |
| 92 | 23476511 | PA-core liner black ID2,3-AD4,7 fits 5m / EURO central adapter |
| 92 | 29476311 | PA-core liner black ID2,9-AD4,7 fits 3m / EURO central adapter |
| 92 | 29476411 | PA-core liner black ID2,9-AD4,7 fits 4m / EURO central adapter |
| 92 | 29476511 | PA-core liner black ID2,9-AD4,7 fits 5m / EURO central adapter |
| N.i. | 20405002 | Brass spiral liner blue L300mm IG fits AD3,9/4,0mm |
| N.i. | 20405001 | Brass spiral liner green L300mm IG fits AD4,7mm |
| 95 | 91905721 | Nipple fits spiral liner EURO central adapter AD 4,5mm |
| 96 | 91906111 | Nipple fits core liner EURO central adapter AD3,9/4,0mm |
| 96 | 91906121 | Nipple fits core liner EURO central adapter AD 4,7mm |
| 97 | 91906131 | O-ring ID3,5-W1,5 fits core liners |
| N.i. | 91906112 | Support tube, brass ID4,4 - AD5,0 - L200mm |

Torch MHS 222-520 water-cooled

The factory standard gear is marked in red.



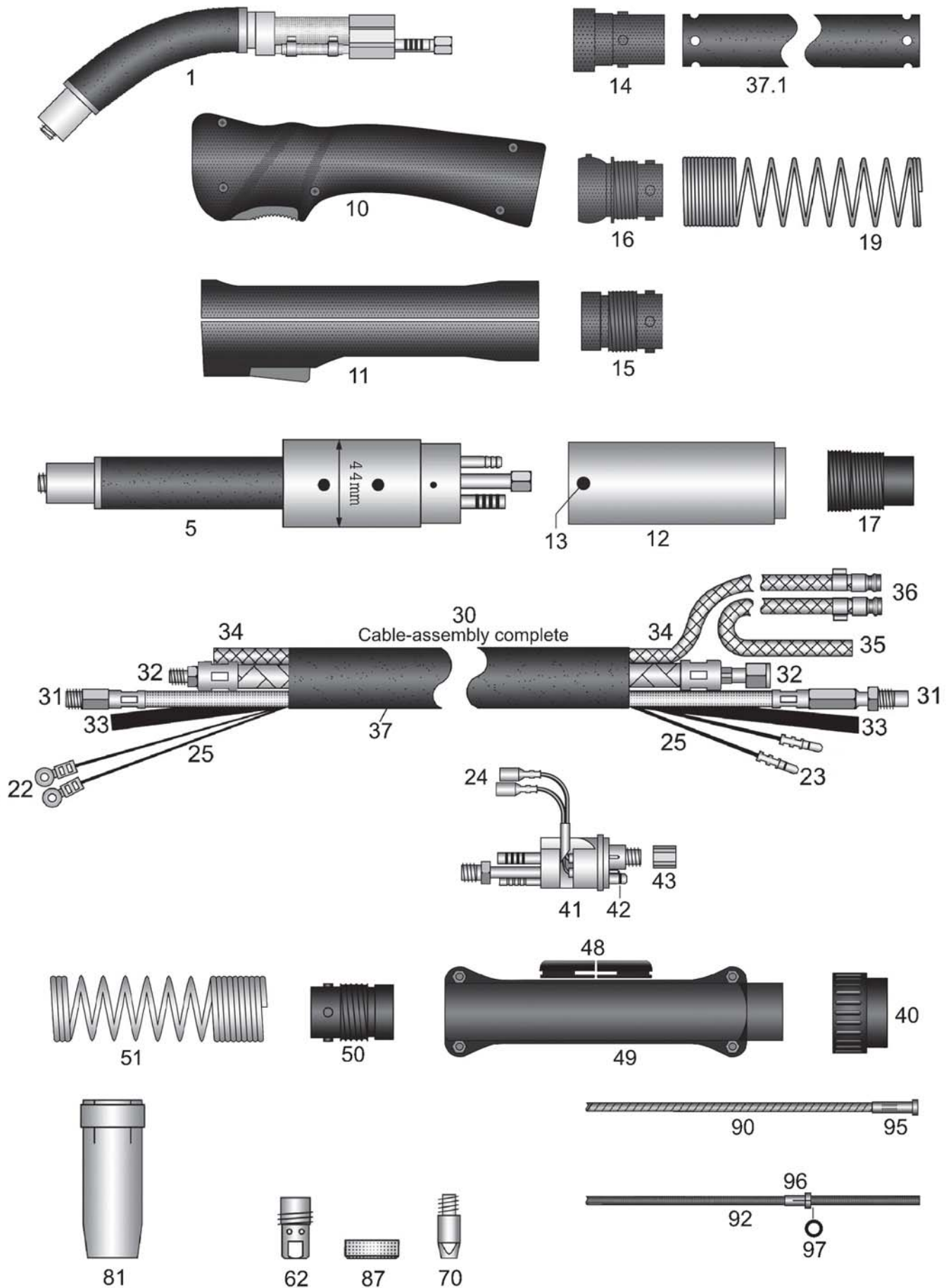
Holch Schweißbrenner GmbH
Bühlstraße 14
D-57080 Siegen

Phone: +49(0)271 387860-11
Telefax: +49(0)271 387860-29
E-Mail: info@holch-siegen.de
Web: www.holch-siegen.de



MHS 222-520 with Cascade cooling system

500 Ampere at 100% duty cycle (CO₂) - 450 Ampere at 100% duty cycle (mixed gas)



HSN 128

Welding-torch MIG-MAG water-cooled**500A at 100% duty cycle (CO2) - 450A at 100% duty cycle (mixed gas)****Art.-No.**

| | |
|----------|-------------------------------------------------------|
| 22200311 | Torch MHS 222-520 / 3m EURO central adapter |
| 22200411 | Torch MHS 222-520 / 4m EURO central adapter |
| 22200511 | Torch MHS 222-520 / 5m EURO central adapter |
| 22250311 | AUTomatic-torch MHS 222-520 / 3m EURO central adapter |

**For torches without EURO central-adaptor the following prices apply.
Please note that for some special machine side connections surcharges may arise,
which you will find in the appendix "A" custom made products.**

| | |
|----------|----------------------------------|
| 22200301 | Torch MHS 222-520 / 3m |
| 22200401 | Torch MHS 222-520 / 4m |
| 22200501 | Torch MHS 222-520 / 5m |
| 22250301 | AUTomatic-torch MHS 222-520 / 3m |

Special lengths for hand- and AUTomatic-torches please notice appendix "B".

Torches with flexible and highly heat resistant cable assemblies available for small surcharges! Please see appendix "B"

| | |
|----------|---------------------------------------------------------------------------|
| 29004602 | Surcharge: Torch body with custom bending |
| 91900102 | Adapter EURO central adapter fits power source with Dinse central adapter |

Torch body and AUTomatic torch body with 2 circuit cooling (cascade cooling system), complete with contact tip holder and splatter protection.

| | | |
|------|----------|----------------------------------------------------------------|
| 1 | 22291001 | Torch body |
| N.i. | 30405001 | Surcharge: with brazen inner tube ID3-AD4mm for aluminium wire |
| 5 | 22291501 | AUTomatic-torch body |

Handles complete with switch, screws and ball joint

| | | |
|------|----------|-----------------------------------------------------------------------|
| 10 | 91912537 | Ratio-handle 21mm with ball joint |
| 10 | 91912437 | Ratio-handle 21mm standard (without ball joint) |
| N.i. | 91912438 | Ratio microswitch DC2 also fits RAUCH handle |
| N.i. | 91912439 | Push button red for Ratio handle also fits RAUCH handle |
| N.i. | 91912441 | Ratio spring fits button Ratio grip handle |
| 11 | 91912104 | Industry-handle 21mm with ball joint |
| 11 | 91912433 | Industry-handle 21mm standard (without ball joint) |
| o.A | 91920412 | Switch-set fits industry-handle for 21mm (9 parts) |
| N.i. | 91920702 | Screw M3x11,5mm fits Ratio/Industry/RAUCH handle and cable support |
| N.i. | 91920703 | M3 mounting socket fits Ratio/Industry/RAUCH handle and cable support |

| | | |
|----|----------|----------------------------------------------|
| 12 | 91912923 | AUT handle tube, aluminium-cladded AD44mm |
| 13 | 91912912 | Counter sunk bolt M4x6mm for AUT handle tube |

| | | |
|------|----------|------------------------------------------------------------|
| 14 | 50191251 | Rubber cable-support RETRO |
| 15 | 91912701 | Spring socket pistol side fits handle without ball joint |
| 16 | 91912704 | Spring socket pistol side fits handle with ball joint |
| 17 | 91912711 | AUT spring socket |
| 19 | 91912501 | Cable support spring pistol-side fits water-cooled torches |
| N.i. | 91912511 | AUT cable support spring (long design) |
| N.i. | 91912521 | AUT suspension spring |
| N.i. | 91912531 | AUT carabiner |
| N.i. | 10089001 | Single stroke button (rubber) |

Welding-torch MIG-MAG water-cooled**500A at 100% duty cycle (CO₂) - 450A at 100% duty cycle (mixed gas)**

| Art.-No. | | |
|----------------------------------------------------------------------------------------------------------------------------------|----------|-----------------------------------------------------------------------------------------|
| 22 | 91902811 | Cable-plug fits industry-handle |
| 23 | 91902901 | Male connector cable-plug for machine side EURO central adapter |
| 24 | 91903001 | Female connector cable-plug fits machine side EURO central adapter |
| 25 | 91902502 | Meter control line flat, 4x0,5mm ² (available on reels 200m) |
| Spare cable-assemblies complete with cable support spring and fittings. Standard or with ball joint - please specify! | | |
| 30 | 09200312 | Spare cable assembly 3m / without EURO central adapter |
| 30 | 09200412 | Spare cable assembly 4m / without EURO central adapter |
| 30 | 09200512 | Spare cable assembly 5m / without EURO central adapter |
| Supply lines and thermo-hoses, superflexible and highly heat resistant please see appendix "C" and "D" | | |
| 31 | 0950a311 | Wire conduit flexible MHS / 3m EURO central adapter (flexible) |
| 31 | 0950a411 | Wire conduit flexible MHS / 4m EURO central adapter (flexible) |
| 31 | 0950a511 | Wire conduit flexible MHS / 5m EURO central adapter (flexible) |
| 32 | 09400311 | ST 80 PVC-NIT power/water cable MHS / 3m EURO central adapter |
| 32 | 09400411 | ST 80 PVC-NIT power/water cable MHS / 4m EURO central adapter |
| 32 | 09400511 | ST 80 PVC-NIT power/water cable MHS / 5m EURO central adapter |
| Supply lines for AUTomatic torches. | | |
| 31 | 0950d311 | AUT wire conduit MHS / 3m EURO central adapter white (hard) |
| 32 | 09400313 | HT 110 rubber fabric hose power/water cable MHS / 3m EURO central adapter |
| Reel goods: Prices are per meter and only applicable if a complete reel is purchased. | | |
| 33 | 41500001 | Meter ST 70 PVC hose ID4,0-W1,5mm black for gas (100m) |
| 34 | 50150001 | Meter ST 80 PVC-NIT fabric hose ID5,0-W1,5mm blue for water (100m) |
| 35 | 50151001 | Meter ST 80 PVC-NIT fabric hose ID5,0-W1,5mm red for water (100m) |
| 36 | 91901001 | Cooling liquid plug nipples EURO |
| N.i. | 91901008 | Closing cap blue fits cooling liquid plug nipples EURO |
| N.i. | 91901009 | Closing cap red fits cooling liquid plug nipples EURO |
| 37 | 25151001 | Meter rubberized fabric protective hose ID25-W1,5mm (40m) |
| 37.1 | 25151311 | Rubberized fabric protective hose ID25-W1,5mm perforated fits 3m / EURO central adapter |
| 37.1 | 25151411 | Rubberized fabric protective hose ID25-W1,5mm perforated fits 4m / EURO central adapter |
| 37.1 | 25151511 | Rubberized fabric protective hose ID25-W1,5mm perforated fits 5m / EURO central adapter |
| 40 | 91900701 | Terminal nut insulated fits EURO central adapter |
| 41 | 91900201 | Central adapter fixed contact-pins EURO central adapter |
| 41 | 91900206 | Central adapter spring contact-pins EURO central adapter |
| 42 | 91900801 | O-ring ID4-W1mm fits gas-nipple EURO central adapter |
| 43 | 91900901 | Coupling nut IT-M10x1 (rounded edges) fits EURO central adapter |
| 48 | 91901011 | Rubber-hose-fence fits cable support |
| 49 | 91900561 | Cable support machine side (screws included) EURO central adapter |
| N.i. | 91920702 | Screw M3x11,5mm fits Ratio/Industry/RAUCH handle and cable support |
| N.i. | 91920703 | M3 mounting socket fits Ratio/Industry/RAUCH handle and cable support |
| N.i. | 91900601 | Attachment screw M4x6mm fits cable support EURO central adapter |
| 50 | 91912801 | Spring-socket EURO central adapter |

Welding-torch MIG-MAG water-cooled**500A at 100% duty cycle (CO₂) - 450A at 100% duty cycle (mixed gas)**

| Art.-No. | | |
|---------------------------------------------------------------------|----------|-------------------------------------------------------------------|
| 51 | 91912601 | Cable support spring fits EURO / ESAB central adapter |
| 62 | 22298001 | Contact tip holder M8-cylindric |
| 70 | 83008001 | Contact tip M8-L30-AD10 0,8 |
| 70 | 83010001 | Contact tip M8-L30-AD10 1,0 |
| 70 | 83012001 | Contact tip M8-L30-AD10 1,2 |
| 70 | 83014001 | Contact tip M8-L30-AD10 1,4 |
| 70 | 83016001 | Contact tip M8-L30-AD10 1,6 |
| 70 | 83020001 | Contact tip M8-L30-AD10 2,0 |
| 70 | 83010401 | Contact tip M8-L30-AD10 CuCrZr 1,0 |
| 70 | 83012401 | Contact tip M8-L30-AD10 CuCrZr 1,2 |
| 70 | 83014401 | Contact tip M8-L30-AD10 CuCrZr 1,4 |
| 70 | 83016401 | Contact tip M8-L30-AD10 CuCrZr 1,6 |
| 70 | 83020401 | Contact tip M8-L30-AD10 CuCrZr 2,0 |
| 70 | 83008301 | Contact tip M8-L30-AD10 0,8 nickel-plated |
| 70 | 83010301 | Contact tip M8-L30-AD10 1,0 nickel-plated |
| 70 | 83012301 | Contact tip M8-L30-AD10 1,2 nickel-plated |
| 70 | 83014301 | Contact tip M8-L30-AD10 1,4 nickel-plated |
| 70 | 83016301 | Contact tip M8-L30-AD10 1,6 nickel-plated |
| 70 | 83008a01 | Contact tip M8-L30-D10 0,8-A for aluminium wire |
| 70 | 83010a01 | Contact tip M8-L30-D10 1,0-A for aluminium wire |
| 70 | 83012a01 | Contact tip M8-L30-D10 1,2-A for aluminium wire |
| 70 | 83018301 | Contact tip M8-L30-D10 1,6-A nickel-plated for aluminium wire |
| 81 | 22293002 | Gas nozzle conical-ID13mm |
| 81 | 22293001 | Gas nozzle conical-ID17mm |
| 87 | 22291201 | Insulating |
| Spirals and liners also available in other sizes on inquiry! | | |
| 90 | 20450311 | Guide spiral-line ID2,0-AD4,5 fits 3m / EURO central adapter |
| 90 | 20450411 | Guide spiral-line ID2,0-AD4,5 fits 4m / EURO central adapter |
| 90 | 20450511 | Guide spiral-line ID2,0-AD4,5 fits 5m / EURO central adapter |
| 90 | 25450311 | Guide spiral-line ID2,5-AD4,5 fits 3m / EURO central adapter |
| 90 | 25450411 | Guide spiral-line ID2,5-AD4,5 fits 4m / EURO central adapter |
| 90 | 25450511 | Guide spiral-line ID2,5-AD4,5 fits 5m / EURO central adapter |
| 92 | 20393311 | PTFE-carbon core liner ID2,0-AD3,9 fits 3m / EURO central adapter |
| 92 | 20393411 | PTFE-carbon core liner ID2,0-AD3,9 fits 4m / EURO central adapter |
| 92 | 20393511 | PTFE-carbon core liner ID2,0-AD3,9 fits 5m / EURO central adapter |
| 92 | 27473311 | PTFE-carbon core liner ID2,7-AD4,7 fits 3m / EURO central adapter |
| 92 | 27473411 | PTFE-carbon core liner ID2,7-AD4,7 fits 4m / EURO central adapter |
| 92 | 27473511 | PTFE-carbon core liner ID2,7-AD4,7 fits 5m / EURO central adapter |
| 92 | 20406311 | PA-core liner black ID2,0-AD4,0 fits 3m / EURO central adapter |
| 92 | 20406411 | PA-core liner black ID2,0-AD4,0 fits 4m / EURO central adapter |
| 92 | 20406511 | PA-core liner black ID2,0-AD4,0 fits 5m / EURO central adapter |
| 92 | 23476311 | PA-core liner black ID2,3-AD4,7 fits 3m / EURO central adapter |

Welding-torch MIG-MAG water-cooled**500A at 100% duty cycle (CO₂) - 450A at 100% duty cycle (mixed gas)**

| Art.-No. | | |
|-----------------|----------|----------------------------------------------------------------|
| 92 | 23476411 | PA-core liner black ID2,3-AD4,7 fits 4m / EURO central adapter |
| 92 | 23476511 | PA-core liner black ID2,3-AD4,7 fits 5m / EURO central adapter |
| 92 | 29476311 | PA-core liner black ID2,9-AD4,7 fits 3m / EURO central adapter |
| 92 | 29476411 | PA-core liner black ID2,9-AD4,7 fits 4m / EURO central adapter |
| 92 | 29476511 | PA-core liner black ID2,9-AD4,7 fits 5m / EURO central adapter |
| N.i. | 20405002 | Brass spiral liner blue L300mm IG fits AD3,9/4,0mm |
| N.i. | 20405001 | Brass spiral liner green L300mm IG fits AD4,7mm |
| 95 | 91905721 | Nipple fits spiral liner EURO central adapter AD 4,5mm |
| 96 | 91906111 | Nipple fits core liner EURO central adapter AD3,9/4,0mm |
| 96 | 91906121 | Nipple fits core liner EURO central adapter AD 4,7mm |
| 97 | 91906131 | O-ring ID3,5-W1,5 fits core liners |
| N.i. | 91906112 | Support tube, brass ID4,4 - AD5,0 - L200mm |

Torch MHS 240-18-D water-cooled

The factory standard gear is marked in red.



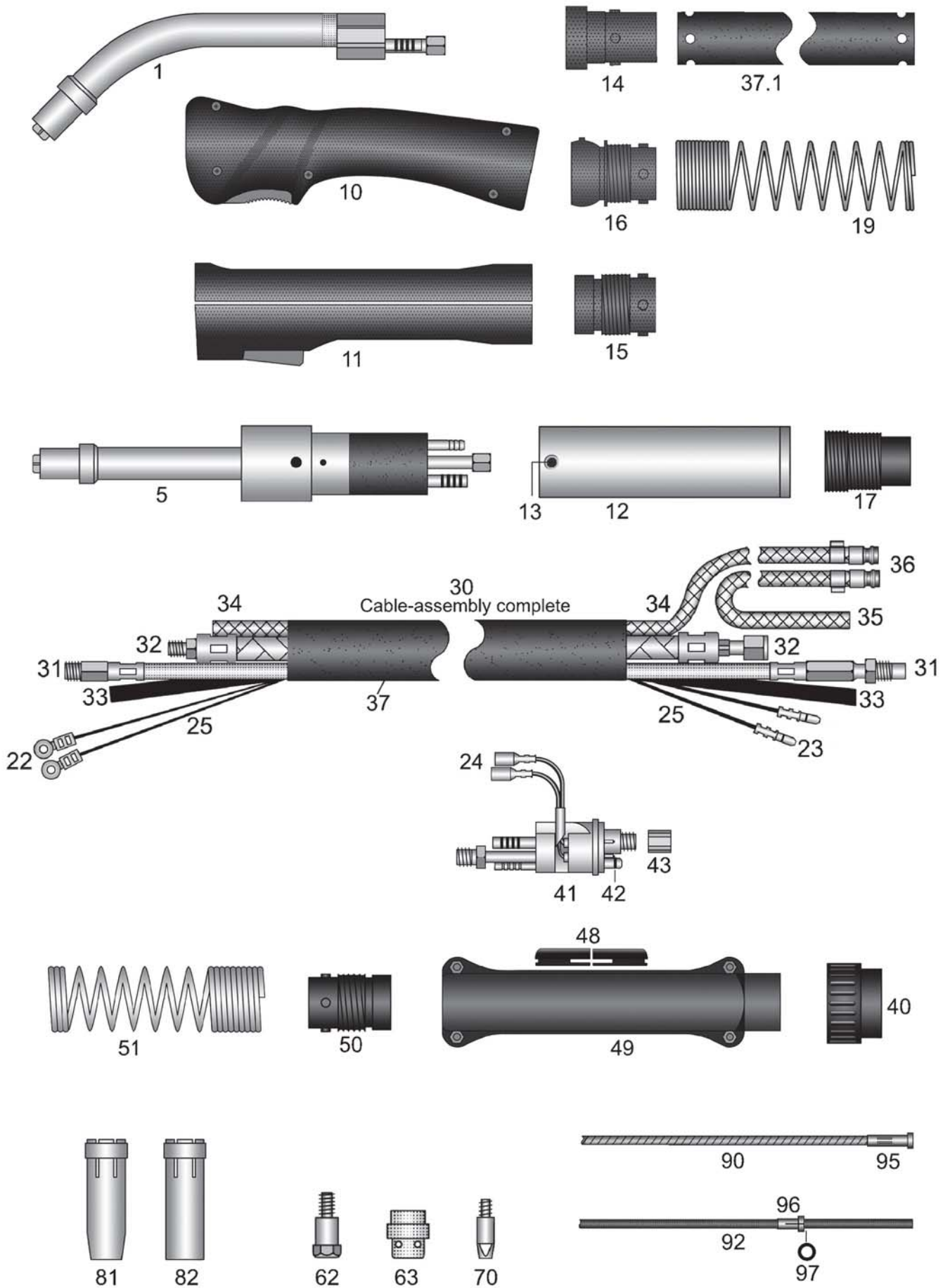
Holch Schweißbrenner GmbH
Bühlstraße 14
D-57080 Siegen

Phone: +49(0)271 387860-11
Telefax: +49(0)271 387860-29
E-Mail: info@holch-siegen.de
Web: www.holch-siegen.de



MHS 240-18-D water-cooled

300 Ampere at 100% duty cycle (CO₂) - 270 Ampere at 100% duty cycle (mixed gas)



HSN 129

Welding-torch MIG-MAG water-cooled**300A at 100% duty cycle (CO2) - 270A at 100% duty cycle (mixed gas)****Art.-No.****Spare parts as torch MHS 24-KD gas-cooled**

| | |
|----------|--------------------------------------------------------|
| 24300311 | Torch MHS 240-18-D / 3m EURO central adapter |
| 24300411 | Torch MHS 240-18-D / 4m EURO central adapter |
| 24300511 | Torch MHS 240-18-D / 5m EURO central adapter |
| 24350311 | AUTomatic-torch MHS 240-18-D / 3m EURO central adapter |

**For torches without EURO central-adaptor the following prices apply.
Please note that for some special machine side connections surcharges may arise,
which you will find in the appendix "A" custom made products.**

| | |
|----------|-----------------------------------|
| 24300301 | Torch MHS 240-18-D / 3m |
| 24300401 | Torch MHS 240-18-D / 4m |
| 24300501 | Torch MHS 240-18-D / 5m |
| 24350301 | AUTomatic-torch MHS 240-18-D / 3m |

Special lengths for hand- and AUTomatic-torches please notice appendix "B".

Torches with flexible and highly heat resistant cable assemblies available for small surcharges! Please see appendix "B"

| | |
|---------------|---------------------------------------------------------------------------|
| pg000001 | Surcharge: Pistol-shape-handle / stabilizer |
| N.i. 91912453 | Heat protection shield for pistol handle, screws included |
| 29004602 | Surcharge: Torch body with custom bending |
| 91900102 | Adapter EURO central adapter fits power source with Dinse central adapter |

Torch body and AUTomatic torch body with teflon insulation, nickel-coated brazen outer tube, very massive power conduit,max. cooling water conduits, complete with contact tip holder M8 and gas diffusor.

| | | |
|------|----------|----------------------------------------------------------------|
| 1 | 24391001 | Torch body |
| N.i. | 30405001 | Surcharge: with brazen inner tube ID3-AD4mm for aluminium wire |
| 5 | 24391501 | AUTomatic-torch body |

Handles complete with switch, screws and ball joint

| | | |
|------|----------|-----------------------------------------------------------------------|
| 10 | 91912535 | Ratio-handle 18mm with ball joint |
| 10 | 91912435 | Ratio-handle 18mm standard (without ball joint) |
| N.i. | 91912438 | Ratio microswitch DC2 also fits RAUCH handle |
| N.i. | 91912439 | Push button red for Ratio handle also fits RAUCH handle |
| N.i. | 91912441 | Ratio spring fits button Ratio grip handle |
| 11 | 91912102 | Industry-handle 18mm with ball joint |
| 11 | 91912331 | Industry-handle 18mm standard (without ball joint) |
| N.i. | 91920411 | Switch-set fits industry-handle for 16/18/20mm (11 parts) |
| N.i. | 91920702 | Screw M3x11,5mm fits Ratio/Industry/RAUCH handle and cable support |
| N.i. | 91920703 | M3 mounting socket fits Ratio/Industry/RAUCH handle and cable support |

| | | |
|----|----------|--------------------------------------------------------------|
| 12 | 91912921 | AUT handle tube, brass-cladded AD38mm for AUT-torch standard |
| 13 | 91912911 | Holding screw M4x6mm fits AUT handle tube |

| | | |
|----|----------|------------------------------------------------------------|
| 14 | 50191251 | Rubber cable-support RETRO |
| 15 | 91912701 | Spring socket pistol side fits handle without ball joint |
| 16 | 91912704 | Spring socket pistol side fits handle with ball joint |
| 17 | 91912711 | AUT spring socket |
| 19 | 91912501 | Cable support spring pistol-side fits water-cooled torches |

Welding-torch MIG-MAG water-cooled**300A at 100% duty cycle (CO2) - 270A at 100% duty cycle (mixed gas)**

| Art.-No. | | |
|----------------------------------------------------------------------------------------------------------------------------------|----------|-----------------------------------------------------------------------------------------|
| N.i. | 91912511 | AUT cable support spring (long design) |
| N.i. | 91912521 | AUT suspension spring |
| N.i. | 91912531 | AUT carabiner |
| N.i. | 10089001 | Single stroke button (rubber) |
| 22 | 91902811 | Cable-plug fits industry-handle |
| 23 | 91902901 | Male connector cable-plug for machine side EURO central adapter |
| 24 | 91903001 | Female connector cable-plug fits machine side EURO central adapter |
| 25 | 91902502 | Meter control line flat, 4x0,5mm ² (available on reels 200m) |
| Spare cable-assemblies complete with cable support spring and fittings. Standard or with ball joint - please specify! | | |
| 30 | 09200312 | Spare cable assembly 3m / without EURO central adapter |
| 30 | 09200412 | Spare cable assembly 4m / without EURO central adapter |
| 30 | 09200512 | Spare cable assembly 5m / without EURO central adapter |
| Supply lines and thermo-hoses, superflexible and highly heat resistant please see appendix "C" and "D" | | |
| 31 | 0950a311 | Wire conduit flexible MHS / 3m EURO central adapter (flexible) |
| 31 | 0950a411 | Wire conduit flexible MHS / 4m EURO central adapter (flexible) |
| 31 | 0950a511 | Wire conduit flexible MHS / 5m EURO central adapter (flexible) |
| 32 | 09400311 | ST 80 PVC-NIT power/water cable MHS / 3m EURO central adapter |
| 32 | 09400411 | ST 80 PVC-NIT power/water cable MHS / 4m EURO central adapter |
| 32 | 09400511 | ST 80 PVC-NIT power/water cable MHS / 5m EURO central adapter |
| Supply lines for AUTomatic torches. | | |
| 31 | 0950d311 | AUT wire conduit MHS / 3m EURO central adapter white (hard) |
| 32 | 09400313 | HT 110 rubber fabric hose power/water cable MHS / 3m EURO central adapter |
| Reel goods: Prices are per meter and only applicable if a complete reel is purchased. | | |
| 33 | 41500001 | Meter ST 70 PVC hose ID4,0-W1,5mm black for gas (100m) |
| 34 | 50150001 | Meter ST 80 PVC-NIT fabric hose ID5,0-W1,5mm blue for water (100m) |
| 35 | 50151001 | Meter ST 80 PVC-NIT fabric hose ID5,0-W1,5mm red for water (100m) |
| 36 | 91901001 | Cooling liquid plug nipples EURO |
| N.i. | 91901008 | Closing cap blue fits cooling liquid plug nipples EURO |
| N.i. | 91901009 | Closing cap red fits cooling liquid plug nipples EURO |
| 37 | 25151001 | Meter rubberized fabric protective hose ID25-W1,5mm (40m) |
| 37.1 | 25151311 | Rubberized fabric protective hose ID25-W1,5mm perforated fits 3m / EURO central adapter |
| 37.1 | 25151411 | Rubberized fabric protective hose ID25-W1,5mm perforated fits 4m / EURO central adapter |
| 37.1 | 25151511 | Rubberized fabric protective hose ID25-W1,5mm perforated fits 5m / EURO central adapter |
| 40 | 91900701 | Terminal nut insulated fits EURO central adapter |
| 41 | 91900201 | Central adapter fixed contact-pins EURO central adapter |
| 41 | 91900206 | Central adapter spring contact-pins EURO central adapter |
| 42 | 91900801 | O-ring ID4-W1mm fits gas-nipple EURO central adapter |
| 43 | 91900901 | Coupling nut IT-M10x1 (rounded edges) fits EURO central adapter |
| 48 | 91901011 | Rubber-hose-fence fits cable support |

Welding-torch MIG-MAG water-cooled**300A at 100% duty cycle (CO₂) - 270A at 100% duty cycle (mixed gas)**

| Art.-No. | | |
|---------------------------------------------------------------------|----------|-----------------------------------------------------------------------|
| 49 | 91900561 | Cable support machine side (screws included) EURO central adapter |
| N.i. | 91920702 | Screw M3x11,5mm fits Ratio/Industry/RAUCH handle and cable support |
| N.i. | 91920703 | M3 mounting socket fits Ratio/Industry/RAUCH handle and cable support |
| N.i. | 91900601 | Attachment screw M4x6mm fits cable support EURO central adapter |
| 50 | 91912801 | Spring-socket EURO central adapter |
| 51 | 91912601 | Cable support spring fits EURO / ESAB central adapter |
| 62 | 24980001 | Contact tip holder IT-M6 SW10-L26mm (stable break-resistant version) |
| 63 | 24912001 | Gas diffusor Keripol white |
| 63 | 24912004 | HT-gasdiffusor black power |
| 63 | 24912003 | Ceramic-gasdiffusor |
| 70 | 62808001 | Contact tip M6-L28-AD8 0,8 |
| 70 | 62810001 | Contact tip M6-L28-AD8 1,0 |
| 70 | 62812001 | Contact tip M6-L28-AD8 1,2 |
| 70 | 62814001 | Contact tip M6-L28-AD8 1,4 |
| 70 | 62808401 | Contact tip M6-L28-AD8 CuCrZr 0,8 |
| 70 | 62810401 | Contact tip M6-L28-AD8 CuCrZr 1,0 |
| 70 | 62812401 | Contact tip M6-L28-AD8 CuCrZr 1,2 |
| 70 | 62808301 | Contact tip M6-L28-AD8 0,8 nickel-plated |
| 70 | 62810301 | Contact tip M6-L28-AD8 1,0 nickel-plated |
| 70 | 62812301 | Contact tip M6-L28-AD8 1,2 nickel-plated |
| 70 | 62814301 | Contact tip M6-L28-AD8 1,4 nickel-plated |
| 70 | 62808a01 | Contact tip M6-L28-D8 0,8-A for aluminium wire |
| 70 | 62810a01 | Contact tip M6-L28-D8 1,0-A for aluminium wire |
| 70 | 62812a01 | Contact tip M6-L28-D8 1,2-A for aluminium wire |
| 81 | 24930001 | Gas nozzle conical-ID12,5mm |
| 82 | 24930301 | Gas nozzle cylindric-ID17mm |
| Spirals and liners also available in other sizes on inquiry! | | |
| 90 | 20450311 | Guide spiral-line ID2,0-AD4,5 fits 3m / EURO central adapter |
| 90 | 20450411 | Guide spiral-line ID2,0-AD4,5 fits 4m / EURO central adapter |
| 90 | 20450511 | Guide spiral-line ID2,0-AD4,5 fits 5m / EURO central adapter |
| 92 | 20393311 | PTFE-carbon core liner ID2,0-AD3,9 fits 3m / EURO central adapter |
| 92 | 20393411 | PTFE-carbon core liner ID2,0-AD3,9 fits 4m / EURO central adapter |
| 92 | 20393511 | PTFE-carbon core liner ID2,0-AD3,9 fits 5m / EURO central adapter |
| 92 | 20406311 | PA-core liner black ID2,0-AD4,0 fits 3m / EURO central adapter |
| 92 | 20406411 | PA-core liner black ID2,0-AD4,0 fits 4m / EURO central adapter |
| 92 | 20406511 | PA-core liner black ID2,0-AD4,0 fits 5m / EURO central adapter |
| 92 | 23476311 | PA-core liner black ID2,3-AD4,7 fits 3m / EURO central adapter |
| 92 | 23476411 | PA-core liner black ID2,3-AD4,7 fits 4m / EURO central adapter |
| 92 | 23476511 | PA-core liner black ID2,3-AD4,7 fits 5m / EURO central adapter |
| N.i. | 20405002 | Brass spiral liner blue L300mm IG fits AD3,9/4,0mm |
| N.i. | 20405001 | Brass spiral liner green L300mm IG fits AD4,7mm |
| 95 | 91905721 | Nipple fits spiral liner EURO central adapter AD 4,5mm |

Welding-torch MIG-MAG water-cooled**300A at 100% duty cycle (CO2) - 270A at 100% duty cycle (mixed gas)**

| Art.-No. | | |
|-----------------|----------|---------------------------------------------------------|
| 96 | 91906111 | Nipple fits core liner EURO central adapter AD3,9/4,0mm |
| 96 | 91906121 | Nipple fits core liner EURO central adapter AD 4,7mm |
| 97 | 91906131 | O-ring ID3,5-W1,5 fits core liners |
| N.i. | 91906112 | Support tube, brass ID4,4 - AD5,0 - L200mm |

Torch MHS 312 water-cooled

The factory standard gear is marked in red.



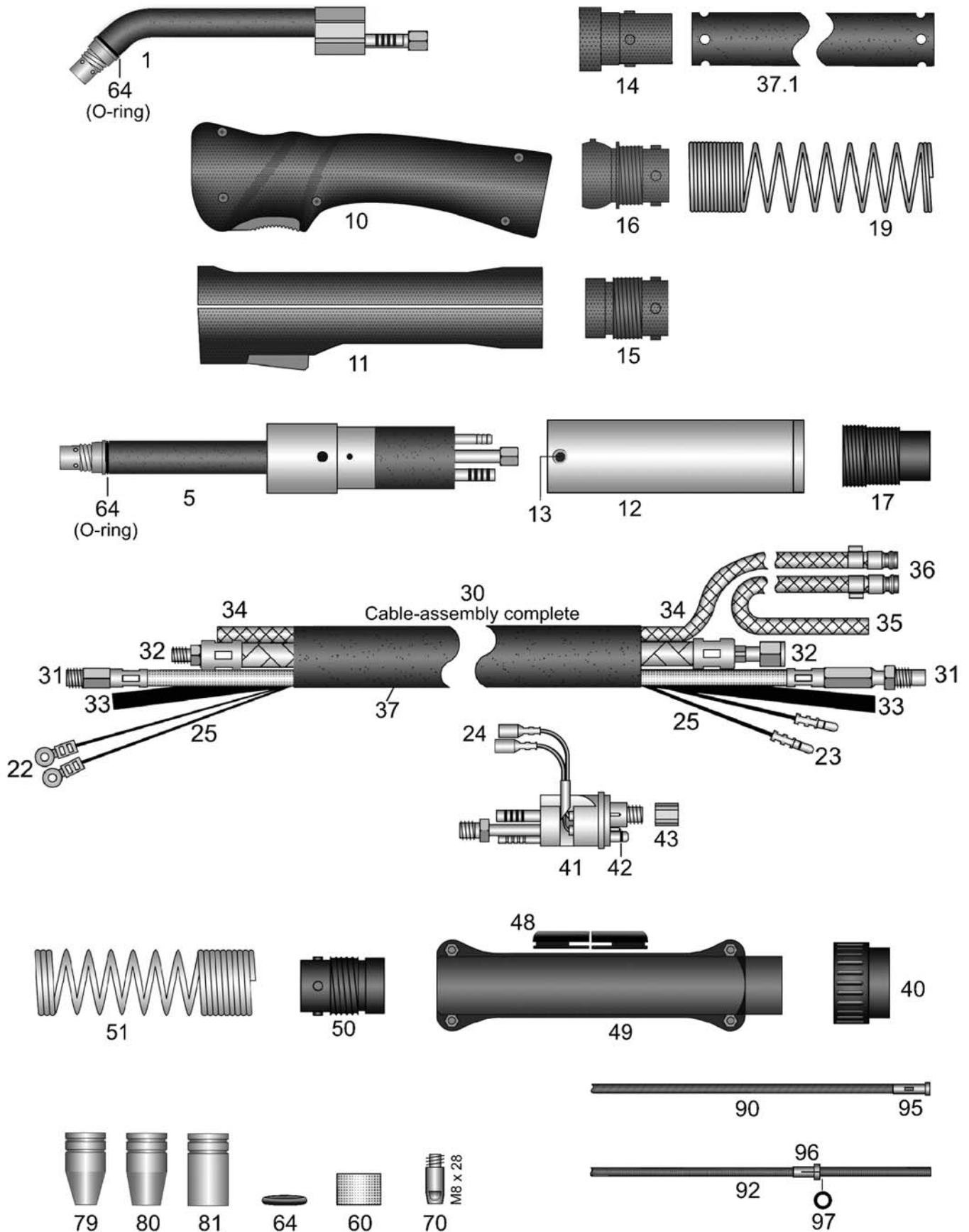
Holch Schweißbrenner GmbH
Bühlstraße 14
D-57080 Siegen

Phone: +49(0)271 387860-11
Telefax: +49(0)271 387860-29
E-Mail: info@holch-siegen.de
Web: www.holch-siegen.de



MHS 312 water-cooled

320 Ampere at 60% duty cycle (CO₂) - 280 Ampere at 60% duty cycle (mixed gas)



HSN 137B

Welding-torch MIG-MAG water-cooled**320A at 60% duty cycle (CO₂) - 280A at 60% duty cycle (mixed gas)****Art.-No.****Spare parts as torch MHS Manni-164 gas-cooled**

| | |
|----------|---------------------------------------------------|
| 31200311 | Torch MHS 312 / 3m EURO central adapter |
| 31200411 | Torch MHS 312 / 4m EURO central adapter |
| 31200511 | Torch MHS 312 / 3m EURO central adapter |
| 31205311 | AUTomatic-torch MHS 312 / 3m EURO central adapter |

**For torches without EURO central-adaptor the following prices apply.
Please note that for some special machine side connections surcharges may arise,
which you will find in the appendix "A" custom made products.**

| | |
|----------|------------------------------|
| 31200301 | Torch MHS 312 / 3m |
| 31200401 | Torch MHS 312 / 4m |
| 31200501 | Torch MHS 312 / 5m |
| 31205301 | AUTomatic-torch MHS 312 / 3m |

Special lengths for hand- and AUTomatic-torches please notice appendix "B".

Torches with flexible and highly heat resistant cable assemblies available for small surcharges! Please see appendix "B"

| | |
|---------------|-----------------------------------------------------------|
| pg000001 | Surcharge: Pistol-shape-handle / stabilizer |
| N.i. 91912453 | Heat protection shield for pistol handle, screws included |
| 29004602 | Surcharge: Torch body with custom bending |

| | |
|----------|---------------------------------------------------------------------------|
| 91900102 | Adapter EURO central adapter fits power source with Dinse central adapter |
|----------|---------------------------------------------------------------------------|

Torch bodies and AUTomatic torch bodies with rubber insulation, very massive power conduit and small bending radius, max. cooling water conduits, small bending radius, complete with o-ring and teflon protection sleeve.

| | | |
|------|----------|----------------------------------------------------------------|
| 1 | 31291001 | Torch body 312 |
| N.i. | 30405001 | Surcharge: with brazen inner tube ID3-AD4mm for aluminium wire |
| 5 | 31291503 | AUTomatic-torch body 312 |

Handles complete with switch, screws and ball joint

| | | |
|------|----------|-----------------------------------------------------------------------|
| 10 | 91912536 | Ratio-handle 20mm with ball joint |
| 10 | 91912436 | Ratio-handle 20mm standard (without ball joint) |
| N.i. | 91912438 | Ratio microswitch DC2 also fits RAUCH handle |
| N.i. | 91912439 | Push button red for Ratio handle also fits RAUCH handle |
| N.i. | 91912441 | Ratio spring fits button Ratio grip handle |
| 11 | 91912103 | Industry-handle 20mm with ball joint |
| 11 | 91912431 | Industry-handle 20mm standard (without ball joint) |
| N.i. | 91920411 | Switch-set fits industry-handle for 16/18/20mm (11 parts) |
| N.i. | 91920702 | Screw M3x11,5mm fits Ratio/Industry/RAUCH handle and cable support |
| N.i. | 91920703 | M3 mounting socket fits Ratio/Industry/RAUCH handle and cable support |

| | | |
|----|----------|--------------------------------------------------------------|
| 12 | 91912921 | AUT handle tube, brass-cladded AD38mm for AUT-torch standard |
| 13 | 91912911 | Holding screw M4x6mm fits AUT handle tube |

| | | |
|----|----------|----------------------------------------------------------|
| 14 | 50191251 | Rubber cable-support RETRO |
| 15 | 91912701 | Spring socket pistol side fits handle without ball joint |
| 16 | 91912704 | Spring socket pistol side fits handle with ball joint |
| 17 | 91912711 | AUT spring socket |

Welding-torch MIG-MAG water-cooled**320A at 60% duty cycle (CO₂) - 280A at 60% duty cycle (mixed gas)**

| Art.-No. | | |
|----------------------------------------------------------------------------------------------------------------------------------|----------|-----------------------------------------------------------------------------------------|
| 19 | 91912501 | Cable support spring pistol-side fits water-cooled torches |
| N.i. | 91912511 | AUT cable support spring (long design) |
| N.i. | 91912521 | AUT suspension spring |
| N.i. | 91912531 | AUT carabiner |
| N.i. | 10089001 | Single stroke button (rubber) |
| 22 | 91902811 | Cable-plug fits industry-handle |
| 23 | 91902901 | Male connector cable-plug for machine side EURO central adapter |
| 24 | 91903001 | Female connector cable-plug fits machine side EURO central adapter |
| 25 | 91902502 | Meter control line flat, 4x0,5mm ² (available on reels 200m) |
| Spare cable-assemblies complete with cable support spring and fittings. Standard or with ball joint - please specify! | | |
| 30 | 09200312 | Spare cable assembly 3m / without EURO central adapter |
| 30 | 09200412 | Spare cable assembly 4m / without EURO central adapter |
| 30 | 09200512 | Spare cable assembly 5m / without EURO central adapter |
| Supply lines and thermo-hoses, superflexible and highly heat resistant please see appendix "C" and "D" | | |
| 31 | 0950a311 | Wire conduit flexible MHS / 3m EURO central adapter (flexible) |
| 31 | 0950a411 | Wire conduit flexible MHS / 4m EURO central adapter (flexible) |
| 31 | 0950a511 | Wire conduit flexible MHS / 5m EURO central adapter (flexible) |
| 32 | 09400311 | ST 80 PVC-NIT power/water cable MHS / 3m EURO central adapter |
| 32 | 09400411 | ST 80 PVC-NIT power/water cable MHS / 4m EURO central adapter |
| 32 | 09400511 | ST 80 PVC-NIT power/water cable MHS / 5m EURO central adapter |
| Supply lines for AUTomatic torches. | | |
| 31 | 0950d311 | AUT wire conduit MHS / 3m EURO central adapter white (hard) |
| 32 | 09400313 | HT 110 rubber fabric hose power/water cable MHS / 3m EURO central adapter |
| Reel goods: Prices are per meter and only applicable if a complete reel is purchased. | | |
| 33 | 41500001 | Meter ST 70 PVC hose ID4,0-W1,5mm black for gas (100m) |
| 34 | 50150001 | Meter ST 80 PVC-NIT fabric hose ID5,0-W1,5mm blue for water (100m) |
| 35 | 50151001 | Meter ST 80 PVC-NIT fabric hose ID5,0-W1,5mm red for water (100m) |
| 36 | 91901001 | Cooling liquid plug nipples EURO |
| N.i. | 91901008 | Closing cap blue fits cooling liquid plug nipples EURO |
| N.i. | 91901009 | Closing cap red fits cooling liquid plug nipples EURO |
| 37 | 25151001 | Meter rubberized fabric protective hose ID25-W1,5mm (40m) |
| 37.1 | 25151311 | Rubberized fabric protective hose ID25-W1,5mm perforated fits 3m / EURO central adapter |
| 37.1 | 25151411 | Rubberized fabric protective hose ID25-W1,5mm perforated fits 4m / EURO central adapter |
| 37.1 | 25151511 | Rubberized fabric protective hose ID25-W1,5mm perforated fits 5m / EURO central adapter |
| 40 | 91900701 | Terminal nut insulated fits EURO central adapter |
| 41 | 91900201 | Central adapter fixed contact-pins EURO central adapter |
| 41 | 91900206 | Central adapter spring contact-pins EURO central adapter |
| 42 | 91900801 | O-ring ID4-W1mm fits gas-nipple EURO central adapter |
| 43 | 91900901 | Coupling nut IT-M10x1 (rounded edges) fits EURO central adapter |

Welding-torch MIG-MAG water-cooled**320A at 60% duty cycle (CO₂) - 280A at 60% duty cycle (mixed gas)**

| Art.-No. | | |
|---------------------------------------------------------------------|----------|--------------------------------------------------------------------------------------------------------------|
| 48 | 91901011 | Rubber-hose-fence fits cable support |
| 49 | 91900561 | Cable support machine side (screws included) EURO central adapter |
| N.i. | 91920702 | Screw M3x11,5mm fits Ratio/Industry/RAUCH handle and cable support |
| N.i. | 91920703 | M3 mounting socket fits Ratio/Industry/RAUCH handle and cable support |
| N.i. | 91900601 | Attachment screw M4x6mm fits cable support EURO central adapter |
| 50 | 91912801 | Spring-socket EURO central adapter |
| 51 | 91912601 | Cable support spring fits EURO / ESAB central adapter |
| 60 | 35291201 | Teflon insulator |
| 64 | 31289001 | O-ring ID-13mm-W4mm |
| 70 | 82808401 | Contact tip M8-L28-D10 CuCrZr 0,8 (MHS Manni-164 + LURCHI-220/320 + MHS 312 + Dinse) |
| 70 | 82810401 | Contact tip M8-L28-D10 CuCrZr 1,0 (MHS Manni-164 + LURCHI-220/320 + MHS 312 + Dinse) |
| 70 | 82812401 | Contact tip M8-L28-D10 CuCrZr 1,2 (MHS Manni-164 + LURCHI-220/320 + MHS 312 + Dinse) |
| 70 | 82808a41 | Contact tip M8-L28-D10 0,8-A CuCrZr (MHS Manni-164 + LURCHI-220/320 + MHS 312 + Dinse) for aluminium wire |
| 70 | 82810a41 | Contact tip M8-L28-D10 1,0-A CuCrZr (MHS Manni-164 + LURCHI-220/320 + MHS 312 + Dinse) for aluminium wire |
| 70 | 82812a41 | Contact tip M8-L28-D10 1,2-A CuCrZr (MHS Manni-164 + LURCHI-220/320 + MHS 312 + Dinse) for aluminium wire |
| 79 | 3129301M | Gas nozzle screwable M14 conical-ID13mm L-40mm (MHS Manni-164 + LURCHI-220 / LURCHI-320 + MHS 312) |
| 80 | 3129302M | Gas nozzle screwable M14 conical-ID15mm L-40mm (MHS Manni-164 + LURCHI-220 / LURCHI-320 + MHS 312) |
| 81 | 31293001 | Gas nozzle screwable M14 cylindric-ID18mm L-40mm (MHS Manni-164 + LURCHI-220 / LURCHI-320 + MHS 312) |
| N.i. | 3129303M | Ceramic-screwable gas nozzle M14 conical-ID15mm L40mm (MHS Manni-164 + LURCHI-220 / LURCHI-320 + MHS 312) |
| Spirals and liners also available in other sizes on inquiry! | | |
| 90 | 20450311 | Guide spiral-line ID2,0-AD4,5 fits 3m / EURO central adapter |
| 90 | 20450411 | Guide spiral-line ID2,0-AD4,5 fits 4m / EURO central adapter |
| 90 | 20450511 | Guide spiral-line ID2,0-AD4,5 fits 5m / EURO central adapter |
| 92 | 20393311 | PTFE-carbon core liner ID2,0-AD3,9 fits 3m / EURO central adapter |
| 92 | 20393411 | PTFE-carbon core liner ID2,0-AD3,9 fits 4m / EURO central adapter |
| 92 | 20393511 | PTFE-carbon core liner ID2,0-AD3,9 fits 5m / EURO central adapter |
| 92 | 23476311 | PA-core liner black ID2,3-AD4,7 fits 3m / EURO central adapter |
| 92 | 23476411 | PA-core liner black ID2,3-AD4,7 fits 4m / EURO central adapter |
| 92 | 23476511 | PA-core liner black ID2,3-AD4,7 fits 5m / EURO central adapter |
| 92 | 20406311 | PA-core liner black ID2,0-AD4,0 fits 3m / EURO central adapter |
| 92 | 20406411 | PA-core liner black ID2,0-AD4,0 fits 4m / EURO central adapter |
| 92 | 20406511 | PA-core liner black ID2,0-AD4,0 fits 5m / EURO central adapter |
| N.i. | 20405002 | Brass spiral liner blue L300mm IG fits AD3,9/4,0mm |
| N.i. | 20405001 | Brass spiral liner green L300mm IG fits AD4,7mm |
| 95 | 91905721 | Nipple fits spiral liner EURO central adapter AD 4,5mm |
| 96 | 91906111 | Nipple fits core liner EURO central adapter AD3,9/4,0mm |

Welding-torch MIG-MAG water-cooled**320A at 60% duty cycle (CO2) - 280A at 60% duty cycle (mixed gas)**

| Art.-No. | | |
|-----------------|----------|------------------------------------------------------|
| 96 | 91906121 | Nipple fits core liner EURO central adapter AD 4,7mm |
| 97 | 91906131 | O-ring ID3,5-W1,5 fits core liners |
| N.i. | 91906112 | Support tube, brass ID4,4 - AD5,0 - L200mm |

Torch MHS Mini-316 water-cooled

The factory standard gear is marked in red.



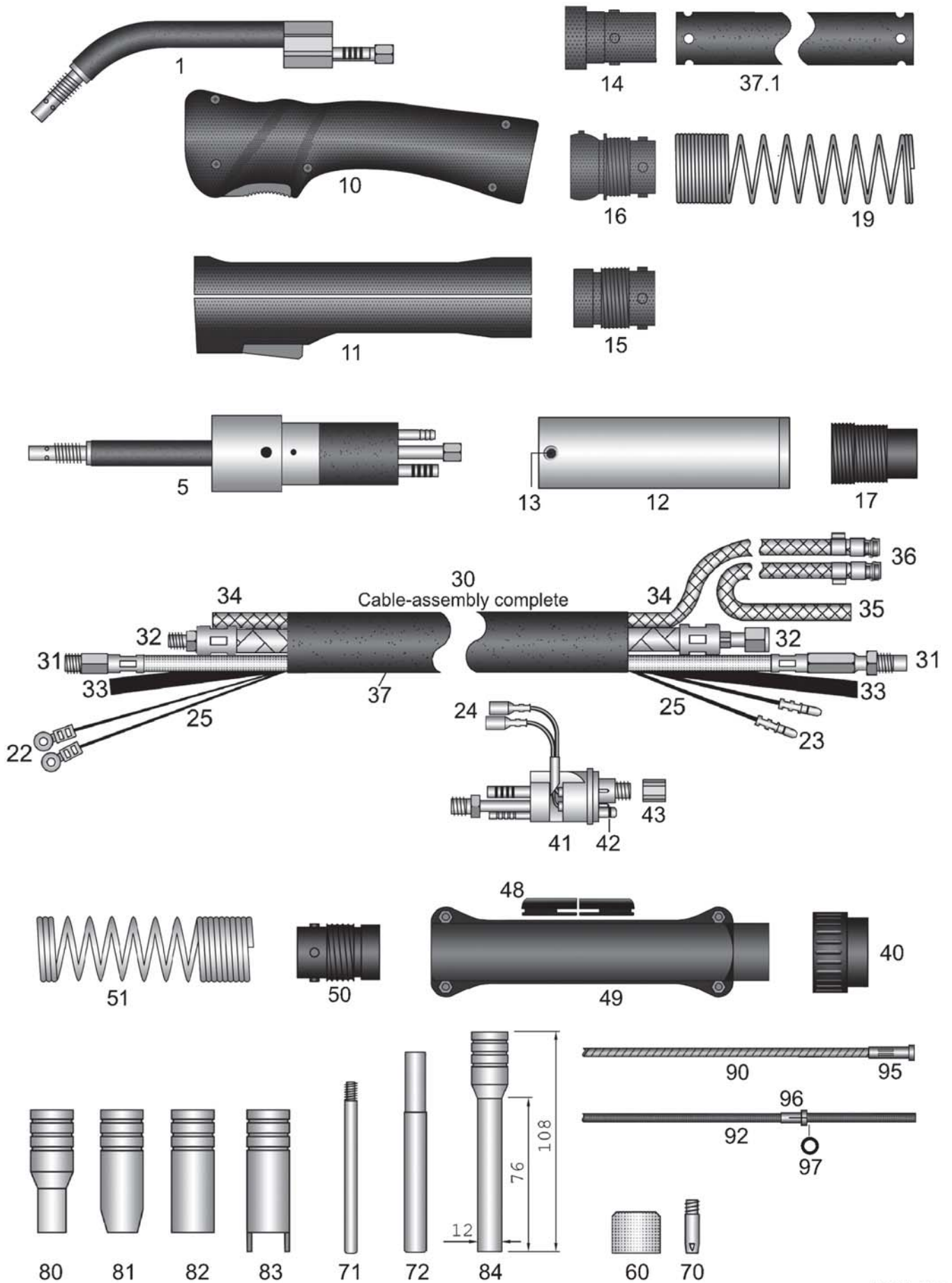
Holch Schweißbrenner GmbH
Bühlstraße 14
D-57080 Siegen

Phone: +49(0)271 387860-11
Telefax: +49(0)271 387860-29
E-Mail: info@holch-siegen.de
Web: www.holch-siegen.de



MHS Mini-316 water-cooled

270 Ampere at 60% duty cycle (CO₂) - 230 Ampere at 60% duty cycle (mixed gas)



HSN 140

Welding-torch MIG-MAG water-cooled**270A at 60% duty cycle (CO₂) - 230A at 60% duty cycle (mixed gas)****Art.-No.****Spare parts as torch MHS 15-CLOU gas-cooled**

| | |
|----------|----------------------------------------------------------------------|
| 31600311 | Torch MHS Mini-316 / 3m EURO central adapter screwable M11 |
| 31600411 | Torch MHS Mini-316 / 4m EURO central adapter screwable M11 |
| 31600511 | Torch MHS Mini-316 / 5m EURO central adapter screwable M11 |
| 31650311 | AUTomatic-torch MHS Mini-316 / 3m EURO central adapter screwable M11 |

**For torches without EURO central-adaptor the following prices apply.
Please note that for some special machine side connections surcharges may arise,
which you will find in the appendix "A" custom made products.**

| | |
|----------|-------------------------------------------------|
| 31600301 | Torch MHS Mini-316 / 3m screwable M11 |
| 31600401 | Torch MHS Mini-316 / 4m screwable M11 |
| 31600501 | Torch MHS Mini-316 / 5m screwable M11 |
| 31650301 | AUTomatic-torch MHS Mini-316 / 3m screwable M11 |

Special lengths for hand- and AUTomatic-torches please notice appendix "B".

Torches with flexible and highly heat resistant cable assemblies available for small surcharges! Please see appendix "B"

| | |
|---------------|---------------------------------------------------------------------------|
| pg000001 | Surcharge: Pistol-shape-handle / stabilizer |
| N.i. 91912453 | Heat protection shield for pistol handle, screws included |
| 29004602 | Surcharge: Torch body with custom bending |
| 91900102 | Adapter EURO central adapter fits power source with Dinse central adapter |

Torch body and AUTomatic torch body with rubber insulation,, very massive power conduit,max. cooling water conduits, complete with teflon protection sleeve.

| | | |
|------|----------|----------------------------------------------------------------|
| 1 | 31691001 | Torch body screwable M11 |
| N.i. | 30405001 | Surcharge: with brazen inner tube ID3-AD4mm for aluminium wire |
| 5 | 31691501 | AUTomatic-torch body screwable M11 |

Handles complete with switch, screws and ball joint

| | | |
|------|----------|-----------------------------------------------------------------------|
| 10 | 91912535 | Ratio-handle 18mm with ball joint |
| 10 | 91912435 | Ratio-handle 18mm standard (without ball joint) |
| N.i. | 91912438 | Ratio microswitch DC2 also fits RAUCH handle |
| N.i. | 91912439 | Push button red for Ratio handle also fits RAUCH handle |
| N.i. | 91912441 | Ratio spring fits button Ratio grip handle |
| 11 | 91912102 | Industry-handle 18mm with ball joint |
| 11 | 91912331 | Industry-handle 18mm standard (without ball joint) |
| N.i. | 91920411 | Switch-set fits industry-handle for 16/18/20mm (11 parts) |
| N.i. | 91920702 | Screw M3x11,5mm fits Ratio/Industry/RAUCH handle and cable support |
| N.i. | 91920703 | M3 mounting socket fits Ratio/Industry/RAUCH handle and cable support |

| | | |
|----|----------|--------------------------------------------------------------|
| 12 | 91912921 | AUT handle tube, brass-cladded AD38mm for AUT-torch standard |
| 13 | 91912911 | Holding screw M4x6mm fits AUT handle tube |

| | | |
|----|----------|------------------------------------------------------------|
| 14 | 50191251 | Rubber cable-support RETRO |
| 15 | 91912701 | Spring socket pistol side fits handle without ball joint |
| 16 | 91912704 | Spring socket pistol side fits handle with ball joint |
| 17 | 91912711 | AUT spring socket |
| 19 | 91912501 | Cable support spring pistol-side fits water-cooled torches |

Welding-torch MIG-MAG water-cooled**270A at 60% duty cycle (CO₂) - 230A at 60% duty cycle (mixed gas)**

| Art.-No. | | |
|----------------------------------------------------------------------------------------------------------------------------------|----------|-----------------------------------------------------------------------------------------|
| N.i. | 91912511 | AUT cable support spring (long design) |
| N.i. | 91912521 | AUT suspension spring |
| N.i. | 91912531 | AUT carabiner |
| N.i. | 10089001 | Single stroke button (rubber) |
| | | |
| 22 | 91902811 | Cable-plug fits industry-handle |
| 23 | 91902901 | Male connector cable-plug for machine side EURO central adapter |
| 24 | 91903001 | Female connector cable-plug fits machine side EURO central adapter |
| 25 | 91902502 | Meter control line flat, 4x0,5mm ² (available on reels 200m) |
| | | |
| Spare cable-assemblies complete with cable support spring and fittings. Standard or with ball joint - please specify! | | |
| 30 | 09200312 | Spare cable assembly 3m / without EURO central adapter |
| 30 | 09200412 | Spare cable assembly 4m / without EURO central adapter |
| 30 | 09200512 | Spare cable assembly 5m / without EURO central adapter |
| | | |
| Supply lines and thermo-hoses, superflexible and highly heat resistant please see appendix "C" and "D" | | |
| 31 | 0950a311 | Wire conduit flexible MHS / 3m EURO central adapter (flexible) |
| 31 | 0950a411 | Wire conduit flexible MHS / 4m EURO central adapter (flexible) |
| 31 | 0950a511 | Wire conduit flexible MHS / 5m EURO central adapter (flexible) |
| | | |
| 32 | 09400311 | ST 80 PVC-NIT power/water cable MHS / 3m EURO central adapter |
| 32 | 09400411 | ST 80 PVC-NIT power/water cable MHS / 4m EURO central adapter |
| 32 | 09400511 | ST 80 PVC-NIT power/water cable MHS / 5m EURO central adapter |
| | | |
| Supply lines for AUTomatic torches. | | |
| 31 | 0950d311 | AUT wire conduit MHS / 3m EURO central adapter white (hard) |
| 32 | 09400313 | HT 110 rubber fabric hose power/water cable MHS / 3m EURO central adapter |
| | | |
| Reel goods: Prices are per meter and only applicable if a complete reel is purchased. | | |
| 33 | 41500001 | Meter ST 70 PVC hose ID4,0-W1,5mm black for gas (100m) |
| 34 | 50150001 | Meter ST 80 PVC-NIT fabric hose ID5,0-W1,5mm blue for water (100m) |
| 35 | 50151001 | Meter ST 80 PVC-NIT fabric hose ID5,0-W1,5mm red for water (100m) |
| | | |
| 36 | 91901001 | Cooling liquid plug nipples EURO |
| N.i. | 91901008 | Closing cap blue fits cooling liquid plug nipples EURO |
| N.i. | 91901009 | Closing cap red fits cooling liquid plug nipples EURO |
| | | |
| 37 | 25151001 | Meter rubberized fabric protective hose ID25-W1,5mm (40m) |
| 37.1 | 25151311 | Rubberized fabric protective hose ID25-W1,5mm perforated fits 3m / EURO central adapter |
| 37.1 | 25151411 | Rubberized fabric protective hose ID25-W1,5mm perforated fits 4m / EURO central adapter |
| 37.1 | 25151511 | Rubberized fabric protective hose ID25-W1,5mm perforated fits 5m / EURO central adapter |
| | | |
| 40 | 91900701 | Terminal nut insulated fits EURO central adapter |
| 41 | 91900201 | Central adapter fixed contact-pins EURO central adapter |
| 41 | 91900206 | Central adapter spring contact-pins EURO central adapter |
| 42 | 91900801 | O-ring ID4-W1mm fits gas-nipple EURO central adapter |
| 43 | 91900901 | Coupling nut IT-M10x1 (rounded edges) fits EURO central adapter |
| | | |
| 48 | 91901011 | Rubber-hose-fence fits cable support |

Welding-torch MIG-MAG water-cooled

270A at 60% duty cycle (CO₂) - 230A at 60% duty cycle (mixed gas)

| Art.-No. | | |
|---------------------------------------------------------------------|----------|-----------------------------------------------------------------------|
| 49 | 91900561 | Cable support machine side (screws included) EURO central adapter |
| N.i. | 91920702 | Screw M3x11,5mm fits Ratio/Industry/RAUCH handle and cable support |
| N.i. | 91920703 | M3 mounting socket fits Ratio/Industry/RAUCH handle and cable support |
| N.i. | 91900601 | Attachment screw M4x6mm fits cable support EURO central adapter |
| 50 | 91912801 | Spring-socket EURO central adapter |
| 51 | 91912601 | Cable support spring fits EURO / ESAB central adapter |
| 60 | 31691201 | Teflon protection sleeve ID17mm |
| N.i. | 31698001 | Soldered in contact tip/nozzle f. screw. gas nozzle-M11 |
| 70 | 62808001 | Contact tip M6-L28-AD8 0,8 |
| 70 | 62810001 | Contact tip M6-L28-AD8 1,0 |
| 70 | 62812001 | Contact tip M6-L28-AD8 1,2 |
| 70 | 62808401 | Contact tip M6-L28-AD8 CuCrZr 0,8 |
| 70 | 62810401 | Contact tip M6-L28-AD8 CuCrZr 1,0 |
| 70 | 62812401 | Contact tip M6-L28-AD8 CuCrZr 1,2 |
| 70 | 62808301 | Contact tip M6-L28-AD8 0,8 nickel-plated |
| 70 | 62810301 | Contact tip M6-L28-AD8 1,0 nickel-plated |
| 70 | 62812301 | Contact tip M6-L28-AD8 1,2 nickel-plated |
| 70 | 62808a01 | Contact tip M6-L28-D8 0,8-A for aluminium wire |
| 70 | 62810a01 | Contact tip M6-L28-D8 1,0-A for aluminium wire |
| 70 | 62812a01 | Contact tip M6-L28-D8 1,2-A for aluminium wire |
| 71 | 68310101 | Narrow-gap contact tip M6-L83-AD6 0,8-1,0 nickel-plated |
| 72 | 91921801 | Centering wrench for Narrow-gap contact tip M6-L83-D6 |
| 80 | 16093341 | Narrow-gap gas nozzle screwable M11 with cylinder ID10-L21mm |
| 81 | 16093001 | Gas nozzle conical-ID12mm long insulation screwable M11 |
| 82 | 16093301 | Gas nozzle cylindric-ID16mm long insulation screwable M11 |
| 83 | 16093501 | Spotweld gas nozzle screwable M11 |
| 84 | 16093351 | Narrow-gap gas nozzle screwable M11 with cylinder ID10-L76mm |
| Spirals and liners also available in other sizes on inquiry! | | |
| 90 | 19390311 | Guide spiral-line ID1,9-AD3,9 fits 3m / EURO central adapter |
| 90 | 19390411 | Guide spiral-line ID1,9-AD3,9 fits 4m / EURO central adapter |
| 90 | 19390511 | Guide spiral-line ID1,9-AD3,9 fits 5m / EURO central adapter |
| 90 | 20450311 | Guide spiral-line ID2,0-AD4,5 fits 3m / EURO central adapter |
| 90 | 20450411 | Guide spiral-line ID2,0-AD4,5 fits 4m / EURO central adapter |
| 90 | 20450511 | Guide spiral-line ID2,0-AD4,5 fits 5m / EURO central adapter |
| 92 | 20393311 | PTFE-carbon core liner ID2,0-AD3,9 fits 3m / EURO central adapter |
| 92 | 20393411 | PTFE-carbon core liner ID2,0-AD3,9 fits 4m / EURO central adapter |
| 92 | 20393511 | PTFE-carbon core liner ID2,0-AD3,9 fits 5m / EURO central adapter |
| 92 | 20406311 | PA-core liner black ID2,0-AD4,0 fits 3m / EURO central adapter |
| 92 | 20406411 | PA-core liner black ID2,0-AD4,0 fits 4m / EURO central adapter |
| 92 | 20406511 | PA-core liner black ID2,0-AD4,0 fits 5m / EURO central adapter |
| N.i. | 20405002 | Brass spiral liner blue L300mm IG fits AD3,9/4,0mm |

Welding-torch MIG-MAG water-cooled**270A at 60% duty cycle (CO2) - 230A at 60% duty cycle (mixed gas)**

| Art.-No. | | |
|-----------------|----------|---------------------------------------------------------|
| 95 | 91905721 | Nipple fits spiral liner EURO central adapter AD 4,5mm |
| 96 | 91906111 | Nipple fits core liner EURO central adapter AD3,9/4,0mm |
| 97 | 91906131 | O-ring ID3,5-W1,5 fits core liners |
| N.i. | 91906112 | Support tube, brass ID4,4 - AD5,0 - L200mm |

Torch MHS RAUCH-330 water-cooled

Fume extraction torch

Product information:

At the pistol end the very light TPE extraction hose is protected by approx. 2m leather cover hose.
Damage caused by splashes or sharp edges is thus prevented.

The factory standard gear is marked in red.



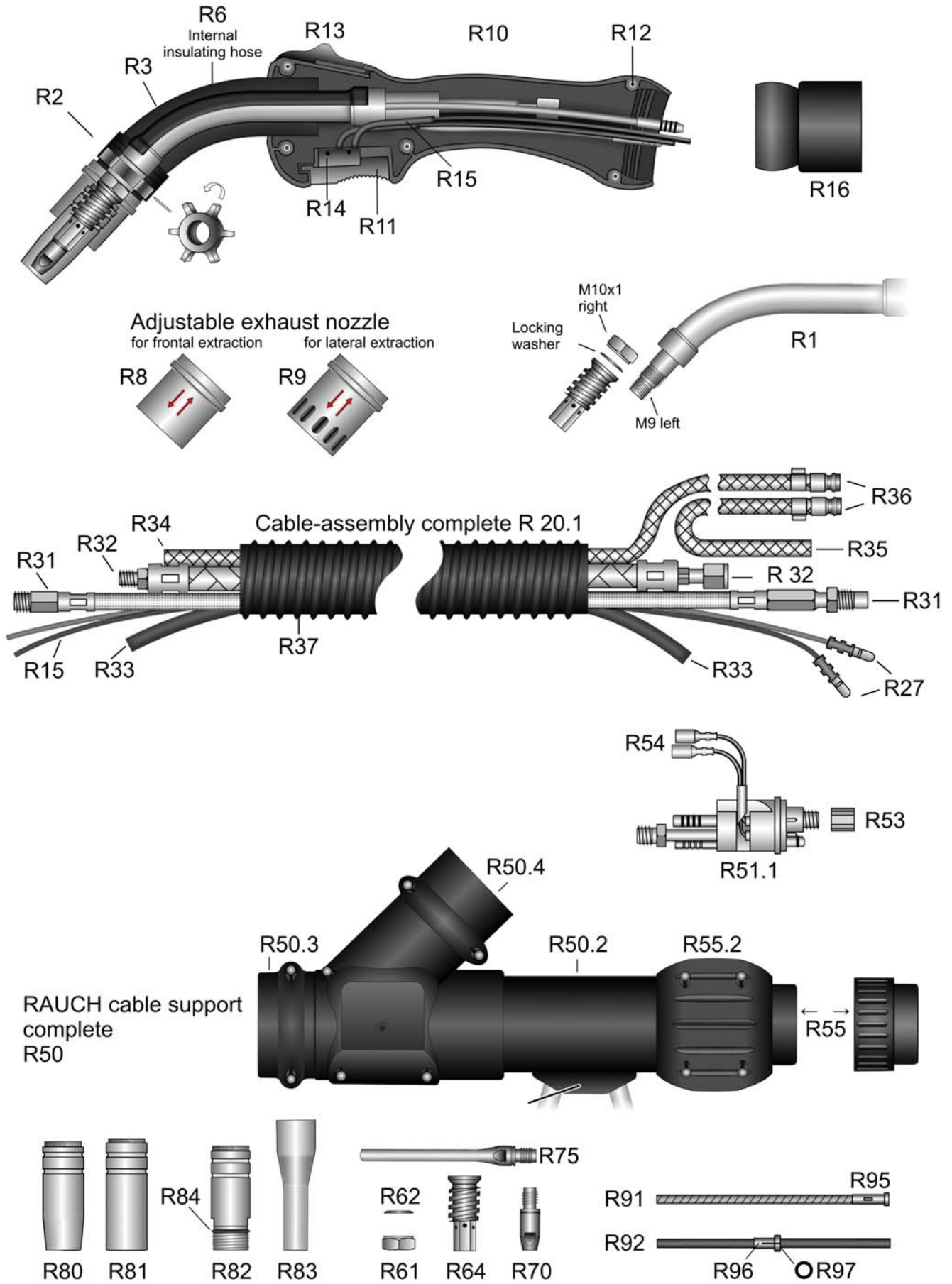
Holch Schweißbrenner GmbH
Bühlstraße 14
D-57080 Siegen

Phone: +49(0)271 387860-11
Telefax: +49(0)271 387860-29
E-Mail: info@holch-siegen.de
Web: www.holch-siegen.de



MHS RAUCH-330 water-cooled

330 Ampere at 100% duty cycle (CO₂) - 290 Ampere at 100% duty cycle (mixed gas)



HSN 866-3

Welding-torch MIG-MAG water-cooled

330A at 100% duty cycle (CO₂) - 290A at 100% duty cycle (mixed gas)**Art.-No.****Spare parts as torch MHS RAUCH-250 air-cooled**

r3300311 Torch MHS RAUCH-330 / 3m EURO central adapter exhaust hose ID38mm

r3300411 Torch MHS RAUCH-330 / 4m EURO central adapter exhaust hose ID38mm

r3300511 Torch MHS RAUCH-330 / 5m EURO central adapter exhaust hose ID38mm

r3300312 Torch MHS RAUCH-330 / 3m EURO central adapter exhaust hose ID32mm

r3300412 Torch MHS RAUCH-330 / 4m EURO central adapter exhaust hose ID32mm

r3300512 Torch MHS RAUCH-330 / 5m EURO central adapter exhaust hose ID32mm

**For torches without EURO central-adaptor the following prices apply.
Please note that for some special machine side connections surcharges may arise,
which you will find in the appendix "A" custom made products.**

r3300301 Torch MHS RAUCH-330 / 3m exhaust hose ID38mm

r3300401 Torch MHS RAUCH-330 / 4m exhaust hose ID38mm

r3300501 Torch MHS RAUCH-330 / 5m exhaust hose ID38mm

r3300302 Torch MHS RAUCH-330 / 3m exhaust hose ID32mm

r3300402 Torch MHS RAUCH-330 / 4m exhaust hose ID32mm

r3300502 Torch MHS RAUCH-330 / 5m exhaust hose ID32mm

R1 r3309101 Torch body MHS RAUCH-330 with insulation and hexagon nut

R2 r2509102 Fume suction tube for torch body RAUCH-250/330

R3 r3309103 Fume suction tube with torch body, complete with all consumables (contact tip 1,2) without fume suction nozzle

R6 r2509121 Section of silicone/glas insulating hose ID12,6-L125mm heat resistant up to 200°C

R8 **r9130012** Fume suction nozzle for RAUCH-250 / RAUCH-330 made of brass nickel plated, frontal suction, adjustable, complete with special o-ring high temperature resistant

R9 r9130013 Fume suction nozzle for RAUCH-250 / RAUCH-330 made of brass nickel plated, side suction, adjustable, complete with special o-ring high temperature resistant

RAUCH-handle complete with air-slider, switch and all sundries. Please order ball joint separately depending on the exhaust hose for either ID32mm or ID38mm.

R10 r9193801 RAUCH-handle black

R11 91912439 Push button red for Ratio handle also fits RAUCH handle

R12 91920703 M3 mounting socket fits Ratio/Industry/RAUCH handle and cable support

N.i. 91920702 Screw M3x11,5mm fits Ratio/Industry/RAUCH handle and cable support

R13 r9193802 RAUCH-air slider red

R14 91912438 Ratio microswitch DC2 also fits RAUCH handle

Reel goods:**Prices are per meter and only applicable if a complete reel is purchased.**R15 91902601 Meter control line 2x0,5mm² silicone red (100m)R15 91902602 Meter control line 2x0,5mm² silicone white (100m)

R16 r9193803 RAUCH-ball joint fits hose ID32mm

R16 r9193804 RAUCH-ball joint fits hose ID38mm

**Cable assembly for EURO central adapter consisting of:
Exhaust hose, wire/power/gas conduit 35mm², water conduit and control line.**

R20 ven92311 Spare cable assembly RAUCH-330 / RAUCH-450-SC 3m / without EURO central adapter exhaust hose ID38mm, complete with 2m leather protection sleeve

Welding-torch MIG-MAG water-cooled

330A at 100% duty cycle (CO₂) - 290A at 100% duty cycle (mixed gas)

| Art.-No. | | |
|-----------------------------------------------------------------------------------------------------------------------------------------------------------|----------|-----------------------------------------------------------------------------------------------------------------------------------------------------------------|
| R20 | ven92411 | Spare cable assembly RAUCH-330 / RAUCH-450-SC 4m / without EURO central adapter exhaust hose ID38mm, complete with 2m leather protection sleeve |
| R20 | ven92511 | Spare cable assembly RAUCH-330 / RAUCH-450-SC 5m / without EURO central adapter exhaust hose ID38mm, complete with 2m leather protection sleeve |
| R20 | ven92312 | Spare cable assembly RAUCH-330 / 3m without EURO central adapter exhaust hose ID32mm complete with 2m leather protection sleeve |
| R20 | ven92412 | Spare cable assembly RAUCH-330 / 4m without EURO central adapter exhaust hose ID32mm complete with 2m leather protection sleeve |
| R20 | ven92512 | Spare cable assembly RAUCH-330 / 5m without EURO central adapter exhaust hose ID32mm complete with 2m leather protection sleeve |
| Cable assembly for EURO central adapter consisting of: Exhaust hose, wire conduit, power/watercable, water hose, gas hose and control line. | | |
| R20.1 | ven91311 | Spare cable assembly RAUCH-330 / RAUCH-450-SC 3m / without EURO central adapter separate lines, exhaust hose ID38mm, complete with 2m leather protection sleeve |
| R20.1 | ven91411 | Spare cable assembly RAUCH-330 / RAUCH-450-SC 4m / without EURO central adapter separate lines, exhaust hose ID38mm, complete with 2m leather protection sleeve |
| R20.1 | ven91511 | Spare cable assembly RAUCH-330 / RAUCH-450-SC 5m / without EURO central adapter separate lines, exhaust hose ID38mm, complete with 2m leather protection sleeve |
| R20.1 | ven91312 | Spare cable assembly RAUCH-330 / 3m without EURO central adapter separate lines, exhaust hose ID38mm, complete with 2m leather protection sleeve |
| R20.1 | ven91412 | Spare cable assembly RAUCH-330 / 4m without EURO central adapter separate lines, exhaust hose ID38mm, complete with 2m leather protection sleeve |
| R20.1 | ven91512 | Spare cable assembly RAUCH-330 / 5m without EURO central adapter separate lines, exhaust hose ID38mm, complete with 2m leather protection sleeve |
| R21 | ven94311 | Wire-/Power-/Gas conduit fits extraction torch 3m 35mm ² |
| R21 | ven94411 | Wire-/Power-/Gas conduit fits extraction torch 4m 35mm ² |
| R21 | ven94511 | Wire-/Power-/Gas conduit fits extraction torch 5m 35mm ² |
| R22 | ven91992 | Section of silicone/glas insulating hose ID12,6-L700mm heat resistant up to 200°C |
| R23 | 15912201 | Lock-nut M10x1-L6mm for Swan neck |
| R27 | 91902901 | Male connector cable-plug for machine side EURO central adapter |
| R31 | r950e311 | Wire conduit RAUCH / 3m EURO central adapter (PA) black (hard) |
| R31 | r950e411 | Wire conduit RAUCH / 4m EURO central adapter (PA) black (hard) |
| R31 | r950e511 | Wire conduit RAUCH / 5m EURO central adapter (PA) black (hard) |
| HT RAB heat-resistant special rubber fabric hose (fabric on inner side), thick, mechanically highly resilient and extremely welding fume resistant | | |
| R32 | r9400311 | HT RAB rubber fabric hose power/water cable RAUCH / 3m EURO central adapter |
| R32 | r9400411 | HT RAB rubber fabric hose power/water cable RAUCH / 4m EURO central adapter |
| R32 | r9400511 | HT RAB rubber fabric hose power/water cable RAUCH / 5m EURO central adapter |
| Reel goods: Prices are per meter and only applicable if a complete reel is purchased. | | |
| N.i. | r3200001 | Meter exhaust hose ID32mm (18m) |
| N.i. | r3800001 | Meter exhaust hose ID38mm (18m) |
| N.i. | r3200011 | Leather-covering ID-45mm appr. 2m long, for fume extraction hose ID-32mm |
| N.i. | r3800011 | Leather-sleeve ID-45mm appr. 2m long, for fume extraction hose ID-38mm |
| R33 | 50170005 | Meter HT 130 TPE fabric hose ID5,0-W1,7mm grey (100m) |
| R34 | 50172005 | Meter HT 130 TPE fabric hose ID5,0-W1,7mm blue for water "RAUCH" (100m) |

Welding-torch MIG-MAG water-cooled

330A at 100% duty cycle (CO₂) - 290A at 100% duty cycle (mixed gas)

| Art.-No. | | |
|----------|----------|--------------------------------------------------------------------------------------------------------------------------------------------------------------------------------------------------------|
| R35 | 50171005 | Meter HT 130 TPE fabric hose ID5,0-W1,7mm red for water "RAUCH" (100m) |
| N.i. | 81000001 | Meter PUR protection hose ID8,5-W1mm fits water hoses OD8,4mm (100m) |
| N.i. | s5080001 | Meter shrinking hose, heatresistant 2:1, ID50,8mm (5m) |
| R36 | 91901001 | Cooling liquid plug nipples EURO |
| N.i. | 91901008 | Closing cap blue fits cooling liquid plug nipples EURO |
| N.i. | 91901009 | Closing cap red fits cooling liquid plug nipples EURO |
| R37 | r3200311 | Section of exhaust hose 2,4m ID32mm / fits 3m RAUCH torch |
| R37 | r3200411 | Section of exhaust hose 3,4m ID32mm / fits 4m RAUCH torch |
| R37 | r3200511 | Section of exhaust hose 4,4m ID32mm / fits 5m RAUCH torch |
| R37 | r3800311 | Section of exhaust hose 2,4m ID38mm / fits 3m RAUCH torch |
| R37 | r3800411 | Section of exhaust hose 3,4m ID38mm / fits 4m RAUCH torch |
| R37 | r3800511 | Section of exhaust hose 4,4m ID38mm / fits 5m RAUCH torch |
| R50 | 91700001 | Fume central adapter connection-system for water-cooled torches complete. Consisting of: 91700061 + 91700011 + 91700021 + 91700031 + 91700051 + 91700041 + 91900702 |
| R50.2 | 91700061 | Fume central adapter / fume protected area to connect support lines, lateral mouth for rubber grommet, 2 halves complete with bushing and screws and 1 red O-ring |
| R50.3 | 91700011 | Fume central adapter chamber rotatable 360°. 2 halves complete with bushing, screws and 2 O-rings (red). Fits to genuine Holch extraction connection adapter 4° and central adapter connection chamber |
| R50.4 | 91700021 | Fume central adapter extraction connection 45°, 2 half pieces complete with bushes and screws. Only for genuine Holch central adapter rotatable extraction chamber |
| N.i. | 91700031 | Fume central adapter membrane OD35-8mm thick for the genuine Holch fume protected central adapter connection chamber for water-cooled RAUCH fume extraction torch |
| R50.5 | 91700051 | Fume central adapter rubber grommet with 2 inlets for water lines for the genuine Holch fume protected central adapter connection chamber |
| N.i. | r9131002 | Special high heat resistant O-ring ID33mm-W2mm fits fume extraction connection chamber |
| N.i. | 91700111 | Special high heat resistant O-ring ID46mm-W2mm fits fume extraction chamber |
| R51.1 | 91900206 | Central adapter spring contact-pins EURO central adapter |
| R51.1 | 91900201 | Central adapter fixed contact-pins EURO central adapter |
| R52 | 91900801 | O-ring ID4-W1mm fits gas-nipple EURO central adapter |
| R53 | 91900901 | Coupling nut IT-M10x1 (rounded edges) fits EURO central adapter |
| R54 | 91903001 | Female connector cable-plug fits machine side EURO central adapter |
| R55 | 91900702 | Terminal nut insulated fits EURO central adapter (widened fits RAUCH) |
| R55.2 | 91700041 | Strengthening for terminal nut EURO vental adapter 2 halves complete with bushing and screws (black) |
| R61 | ven91984 | Hexagon nut M9 left hand thread SW14 with flange |
| R62 | ven91985 | Tooth lock washer AD-13-ID9mm |
| R64 | ven98001 | Tip/nozzle holder Rauch-250 / RAUCH-330 |
| R70 | 83008401 | Contact tip M8-L30-D10 0,8 CuCrZr |
| R70 | 83010401 | Contact tip M8-L30-AD10 CuCrZr 1,0 |
| R70 | 83012401 | Contact tip M8-L30-AD10 CuCrZr 1,2 |
| R70 | 83014401 | Contact tip M8-L30-AD10 CuCrZr 1,4 |
| R70 | 83008a01 | Contact tip M8-L30-D10 0,8-A for aluminium wire |

Welding-torch MIG-MAG water-cooled

330A at 100% duty cycle (CO₂) - 290A at 100% duty cycle (mixed gas)

| Art.-No. | | |
|----------|----------|-----------------------------------------------------------------------------------------------------------|
| R70 | 83010a01 | Contact tip M8-L30-D10 1,0-A for aluminium wire |
| R70 | 83012a01 | Contact tip M8-L30-D10 1,2-A for aluminium wire |
| R75 | 88551241 | Narrow gap-contact tip M8-L85,5-D10 turned down to 6mm 1,2 CuCrZr |
| R80 | ven93002 | Gas nozzle RAUCH-250/330 conical-ID15mm with spatter protection |
| R81 | ven93302 | Gas nozzle RAUCH-250/330 cylindrical-ID18mm with spatter protection |
| R82 | r3309362 | Narrow-gap lower section with silicone sealing ring for MHS RAUCH-250 / MHS RAUCH-330 |
| R83 | r3309364 | Narrow-gap gas nozzle ID11-OD14mm / length 70mm for narrow-gap lower section MHS RAUCH-250 / RAUCH-330 |
| R84 | r3309363 | Silicon seal for narrow-gap lower section MHS RAUCH-250 / MHS RAUCH-330 |
| R91 | 19390311 | Guide spiral-line ID1,9-AD3,9 fits 3m / EURO central adapter |
| R91 | 19390411 | Guide spiral-line ID1,9-AD3,9 fits 4m / EURO central adapter |
| R91 | 19390511 | Guide spiral-line ID1,9-AD3,9 fits 5m / EURO central adapter |
| R91 | 20450311 | Guide spiral-line ID2,0-AD4,5 fits 3m / EURO central adapter |
| R91 | 20450411 | Guide spiral-line ID2,0-AD4,5 fits 4m / EURO central adapter |
| R91 | 20450511 | Guide spiral-line ID2,0-AD4,5 fits 5m / EURO central adapter |
| R91 | 25450311 | Guide spiral-line ID2,5-AD4,5 fits 3m / EURO central adapter |
| R91 | 25450411 | Guide spiral-line ID2,5-AD4,5 fits 4m / EURO central adapter |
| R91 | 25450511 | Guide spiral-line ID2,5-AD4,5 fits 5m / EURO central adapter |
| R92 | 20393311 | PTFE-carbon core liner ID2,0-AD3,9 fits 3m / EURO central adapter |
| R92 | 20393411 | PTFE-carbon core liner ID2,0-AD3,9 fits 4m / EURO central adapter |
| R92 | 20393511 | PTFE-carbon core liner ID2,0-AD3,9 fits 5m / EURO central adapter |
| R92 | 20406311 | PA-core liner black ID2,0-AD4,0 fits 3m / EURO central adapter |
| R92 | 20406411 | PA-core liner black ID2,0-AD4,0 fits 4m / EURO central adapter |
| R92 | 20406511 | PA-core liner black ID2,0-AD4,0 fits 5m / EURO central adapter |
| N.i. | 20405002 | Brass spiral liner blue L300mm IG fits AD3,9/4,0mm |
| R95 | 91905721 | Nipple fits spiral liner EURO central adapter AD 4,5mm |
| R96 | 91906111 | Nipple fits core liner EURO central adapter AD3,9/4,0mm |
| R97 | 91906131 | O-ring ID3,5-W1,5 fits core liners |
| N.i. | 91906112 | Support tube, brass ID4,4 - AD5,0 - L200mm |

Torch MHS 351-D water-cooled

The factory standard gear is marked in red.



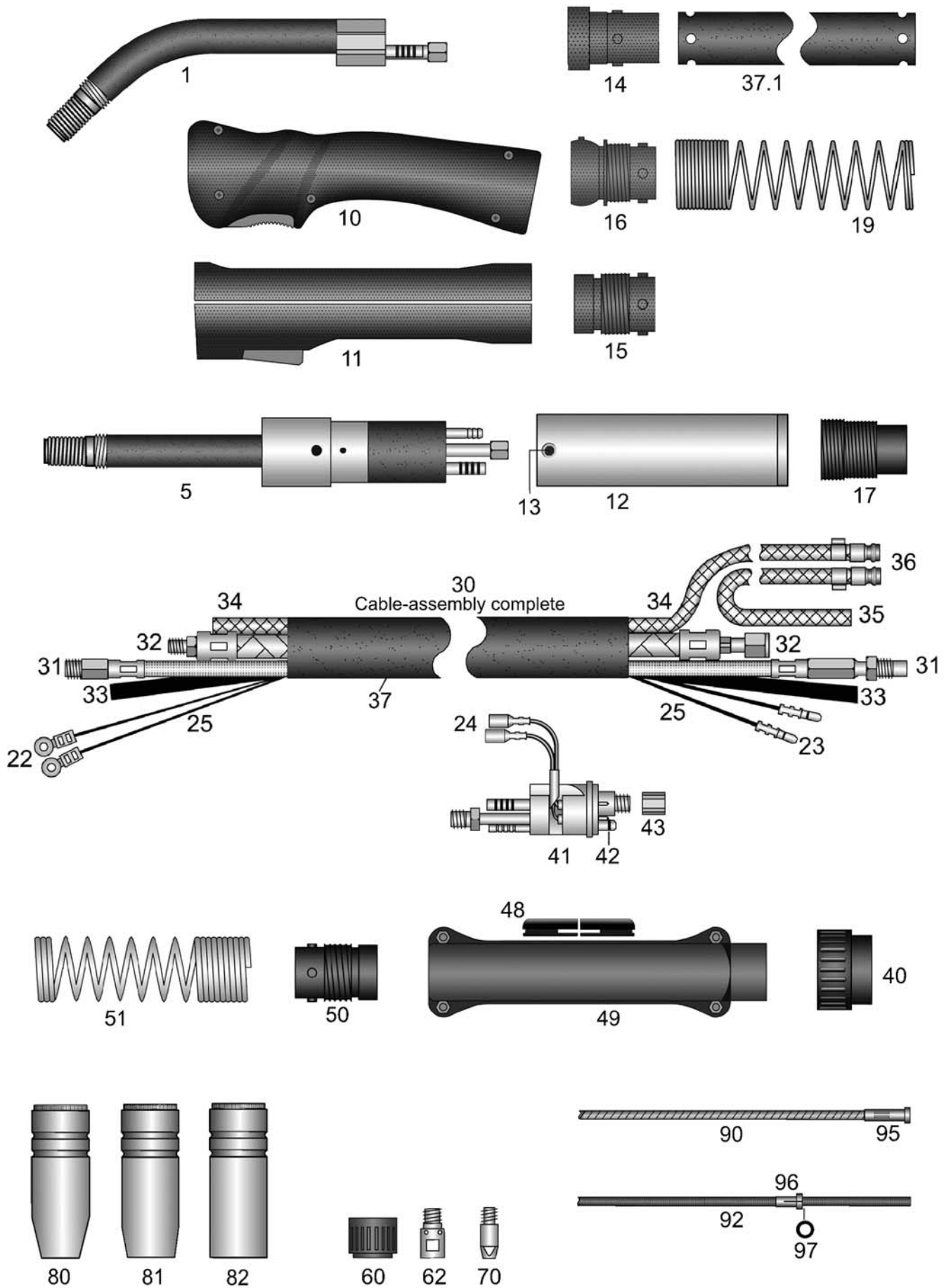
Holch Schweißbrenner GmbH
Bühlstraße 14
D-57080 Siegen

Phone: +49(0)271 387860-11
Telefax: +49(0)271 387860-29
E-Mail: info@holch-siegen.de
Web: www.holch-siegen.de



MHS 351-D water-cooled

350 Ampere at 100% duty cycle (CO₂) - 310 Ampere at 100% duty cycle (mixed gas)



HSN 130

Welding-torch MIG-MAG water-cooled**350A at 100% duty cycle (CO2) - 310A at 100% duty cycle (mixed gas)****Art.-No.****Spare parts as torch MHS 37-D gas-cooled**

| | |
|----------|-----------------------------------------------------|
| 35100311 | Torch MHS 351-D / 3m EURO central adapter |
| 35100411 | Torch MHS 351-D / 4m EURO central adapter |
| 35100511 | Torch MHS 351-D / 5m EURO central adapter |
| 35150311 | AUTomatic-torch MHS 351-D / 3m EURO central adapter |

**For torches without EURO central-adaptor the following prices apply.
Please note that for some special machine side connections surcharges may arise,
which you will find in the appendix "A" custom made products.**

| | |
|----------|--------------------------------|
| 35100301 | Torch MHS 351-D / 3m |
| 35100401 | Torch MHS 351-D / 4m |
| 35100501 | Torch MHS 351-D / 5m |
| 35150301 | AUTomatic-torch MHS 351-D / 3m |

Special lengths for hand- and AUTomatic-torches please notice appendix "B".

Torches with flexible and highly heat resistant cable assemblies available for small surcharges! Please see appendix "B"

| | |
|---------------|---------------------------------------------------------------------------|
| pg000001 | Surcharge: Pistol-shape-handle / stabilizer |
| N.i. 91912453 | Heat protection shield for pistol handle, screws included |
| 29004602 | Surcharge: Torch body with custom bending |
| 91900102 | Adapter EURO central adapter fits power source with Dinse central adapter |

Torch body and AUTomatic torch body with rubber insulation,, very massive power conduit,max. cooling water conduits, complete with contact tip holder M8.

| | | |
|------|----------|----------------------------------------------------------------|
| 1 | 35191001 | Torch body |
| N.i. | 30405001 | Surcharge: with brazen inner tube ID3-AD4mm for aluminium wire |
| 5 | 35191501 | AUTomatic-torch body |

Handles complete with switch, screws and ball joint

| | | |
|------|----------|-----------------------------------------------------------------------|
| 10 | 91912536 | Ratio-handle 20mm with ball joint |
| 10 | 91912436 | Ratio-handle 20mm standard (without ball joint) |
| N.i. | 91912438 | Ratio microswitch DC2 also fits RAUCH handle |
| N.i. | 91912439 | Push button red for Ratio handle also fits RAUCH handle |
| N.i. | 91912441 | Ratio spring fits button Ratio grip handle |
| 11 | 91912103 | Industry-handle 20mm with ball joint |
| 11 | 91912431 | Industry-handle 20mm standard (without ball joint) |
| N.i. | 91920411 | Switch-set fits industry-handle for 16/18/20mm (11 parts) |
| N.i. | 91920702 | Screw M3x11,5mm fits Ratio/Industry/RAUCH handle and cable support |
| N.i. | 91920703 | M3 mounting socket fits Ratio/Industry/RAUCH handle and cable support |

| | | |
|----|----------|--------------------------------------------------------------|
| 12 | 91912921 | AUT handle tube, brass-cladded AD38mm for AUT-torch standard |
| 13 | 91912911 | Holding screw M4x6mm fits AUT handle tube |

| | | |
|----|----------|------------------------------------------------------------|
| 14 | 50191251 | Rubber cable-support RETRO |
| 15 | 91912701 | Spring socket pistol side fits handle without ball joint |
| 16 | 91912704 | Spring socket pistol side fits handle with ball joint |
| 17 | 91912711 | AUT spring socket |
| 19 | 91912501 | Cable support spring pistol-side fits water-cooled torches |

Welding-torch MIG-MAG water-cooled**350A at 100% duty cycle (CO2) - 310A at 100% duty cycle (mixed gas)**

| Art.-No. | | |
|----------------------------------------------------------------------------------------------------------------------------------|----------|-----------------------------------------------------------------------------------------|
| N.i. | 91912511 | AUT cable support spring (long design) |
| N.i. | 91912521 | AUT suspension spring |
| N.i. | 91912531 | AUT carabiner |
| N.i. | 10089001 | Single stroke button (rubber) |
| | | |
| 22 | 91902811 | Cable-plug fits industry-handle |
| 23 | 91902901 | Male connector cable-plug for machine side EURO central adapter |
| 24 | 91903001 | Female connector cable-plug fits machine side EURO central adapter |
| 25 | 91902502 | Meter control line flat, 4x0,5mm ² (available on reels 200m) |
| | | |
| Spare cable-assemblies complete with cable support spring and fittings. Standard or with ball joint - please specify! | | |
| 30 | 09200312 | Spare cable assembly 3m / without EURO central adapter |
| 30 | 09200412 | Spare cable assembly 4m / without EURO central adapter |
| 30 | 09200512 | Spare cable assembly 5m / without EURO central adapter |
| | | |
| Supply lines and thermo-hoses, superflexible and highly heat resistant please see appendix "C" and "D" | | |
| 31 | 0950a311 | Wire conduit flexible MHS / 3m EURO central adapter (flexible) |
| 31 | 0950a411 | Wire conduit flexible MHS / 4m EURO central adapter (flexible) |
| 31 | 0950a511 | Wire conduit flexible MHS / 5m EURO central adapter (flexible) |
| | | |
| 32 | 09400311 | ST 80 PVC-NIT power/water cable MHS / 3m EURO central adapter |
| 32 | 09400411 | ST 80 PVC-NIT power/water cable MHS / 4m EURO central adapter |
| 32 | 09400511 | ST 80 PVC-NIT power/water cable MHS / 5m EURO central adapter |
| | | |
| Supply lines for AUTomatic torches. | | |
| 31 | 0950d311 | AUT wire conduit MHS / 3m EURO central adapter white (hard) |
| 32 | 09400313 | HT 110 rubber fabric hose power/water cable MHS / 3m EURO central adapter |
| | | |
| Reel goods: Prices are per meter and only applicable if a complete reel is purchased. | | |
| 33 | 41500001 | Meter ST 70 PVC hose ID4,0-W1,5mm black for gas (100m) |
| 34 | 50150001 | Meter ST 80 PVC-NIT fabric hose ID5,0-W1,5mm blue for water (100m) |
| 35 | 50151001 | Meter ST 80 PVC-NIT fabric hose ID5,0-W1,5mm red for water (100m) |
| | | |
| 36 | 91901001 | Cooling liquid plug nipples EURO |
| N.i. | 91901008 | Closing cap blue fits cooling liquid plug nipples EURO |
| N.i. | 91901009 | Closing cap red fits cooling liquid plug nipples EURO |
| | | |
| 37 | 25151001 | Meter rubberized fabric protective hose ID25-W1,5mm (40m) |
| 37.1 | 25151311 | Rubberized fabric protective hose ID25-W1,5mm perforated fits 3m / EURO central adapter |
| 37.1 | 25151411 | Rubberized fabric protective hose ID25-W1,5mm perforated fits 4m / EURO central adapter |
| 37.1 | 25151511 | Rubberized fabric protective hose ID25-W1,5mm perforated fits 5m / EURO central adapter |
| | | |
| 40 | 91900701 | Terminal nut insulated fits EURO central adapter |
| 41 | 91900201 | Central adapter fixed contact-pins EURO central adapter |
| 41 | 91900206 | Central adapter spring contact-pins EURO central adapter |
| 42 | 91900801 | O-ring ID4-W1mm fits gas-nipple EURO central adapter |
| 43 | 91900901 | Coupling nut IT-M10x1 (rounded edges) fits EURO central adapter |
| | | |
| 48 | 91901011 | Rubber-hose-fence fits cable support |

Welding-torch MIG-MAG water-cooled**350A at 100% duty cycle (CO₂) - 310A at 100% duty cycle (mixed gas)**

| Art.-No. | | |
|---------------------------------------------------------------------|----------|-----------------------------------------------------------------------|
| 49 | 91900561 | Cable support machine side (screws included) EURO central adapter |
| N.i. | 91920702 | Screw M3x11,5mm fits Ratio/Industry/RAUCH handle and cable support |
| N.i. | 91920703 | M3 mounting socket fits Ratio/Industry/RAUCH handle and cable support |
| N.i. | 91900601 | Attachment screw M4x6mm fits cable support EURO central adapter |
| 50 | 91912801 | Spring-socket EURO central adapter |
| 51 | 91912601 | Cable support spring fits EURO / ESAB central adapter |
| 60 | 35191201 | Laminated fabric-tension-insulator |
| 62 | 92981001 | Contact tip holder IT-M8 AD13-L28mm |
| 70 | 83008001 | Contact tip M8-L30-AD10 0,8 |
| 70 | 83010001 | Contact tip M8-L30-AD10 1,0 |
| 70 | 83012001 | Contact tip M8-L30-AD10 1,2 |
| 70 | 83014001 | Contact tip M8-L30-AD10 1,4 |
| 70 | 83010401 | Contact tip M8-L30-AD10 CuCrZr 1,0 |
| 70 | 83012401 | Contact tip M8-L30-AD10 CuCrZr 1,2 |
| 70 | 83014401 | Contact tip M8-L30-AD10 CuCrZr 1,4 |
| 70 | 83008301 | Contact tip M8-L30-AD10 0,8 nickel-plated |
| 70 | 83010301 | Contact tip M8-L30-AD10 1,0 nickel-plated |
| 70 | 83012301 | Contact tip M8-L30-AD10 1,2 nickel-plated |
| 70 | 83014301 | Contact tip M8-L30-AD10 1,4 nickel-plated |
| 70 | 83008a01 | Contact tip M8-L30-D10 0,8-A for aluminium wire |
| 70 | 83010a01 | Contact tip M8-L30-D10 1,0-A for aluminium wire |
| 70 | 83012a01 | Contact tip M8-L30-D10 1,2-A for aluminium wire |
| 80 | 35193101 | Screwable gas nozzle M18 conical-ID14mm with nozzle insulator |
| 81 | 35193001 | Screwable gas nozzle M18 conical-ID17mm with nozzle insulator |
| 82 | 35193301 | Screwable gas nozzle M18 cylindric-ID21mm with nozzle insulator |
| Spirals and liners also available in other sizes on inquiry! | | |
| 90 | 20450311 | Guide spiral-line ID2,0-AD4,5 fits 3m / EURO central adapter |
| 90 | 20450411 | Guide spiral-line ID2,0-AD4,5 fits 4m / EURO central adapter |
| 90 | 20450511 | Guide spiral-line ID2,0-AD4,5 fits 5m / EURO central adapter |
| 92 | 20393311 | PTFE-carbon core liner ID2,0-AD3,9 fits 3m / EURO central adapter |
| 92 | 20393411 | PTFE-carbon core liner ID2,0-AD3,9 fits 4m / EURO central adapter |
| 92 | 20393511 | PTFE-carbon core liner ID2,0-AD3,9 fits 5m / EURO central adapter |
| 92 | 20406311 | PA-core liner black ID2,0-AD4,0 fits 3m / EURO central adapter |
| 92 | 20406411 | PA-core liner black ID2,0-AD4,0 fits 4m / EURO central adapter |
| 92 | 20406511 | PA-core liner black ID2,0-AD4,0 fits 5m / EURO central adapter |
| 92 | 23476311 | PA-core liner black ID2,3-AD4,7 fits 3m / EURO central adapter |
| 92 | 23476411 | PA-core liner black ID2,3-AD4,7 fits 4m / EURO central adapter |
| 92 | 23476511 | PA-core liner black ID2,3-AD4,7 fits 5m / EURO central adapter |
| N.i. | 20405002 | Brass spiral liner blue L300mm IG fits AD3,9/4,0mm |
| N.i. | 20405001 | Brass spiral liner green L300mm IG fits AD4,7mm |
| 95 | 91905721 | Nipple fits spiral liner EURO central adapter AD 4,5mm |
| 96 | 91906111 | Nipple fits core liner EURO central adapter AD3,9/4,0mm |

Welding-torch MIG-MAG water-cooled**350A at 100% duty cycle (CO2) - 310A at 100% duty cycle (mixed gas)**

| Art.-No. | | |
|-----------------|----------|------------------------------------------------------|
| 96 | 91906121 | Nipple fits core liner EURO central adapter AD 4,7mm |
| 97 | 91906131 | O-ring ID3,5-W1,5 fits core liners |
| N.i. | 91906112 | Support tube, brass ID4,4 - AD5,0 - L200mm |

Torch MHS 352-S water-cooled

The factory standard gear (plugged gas nozzle) is marked in red.



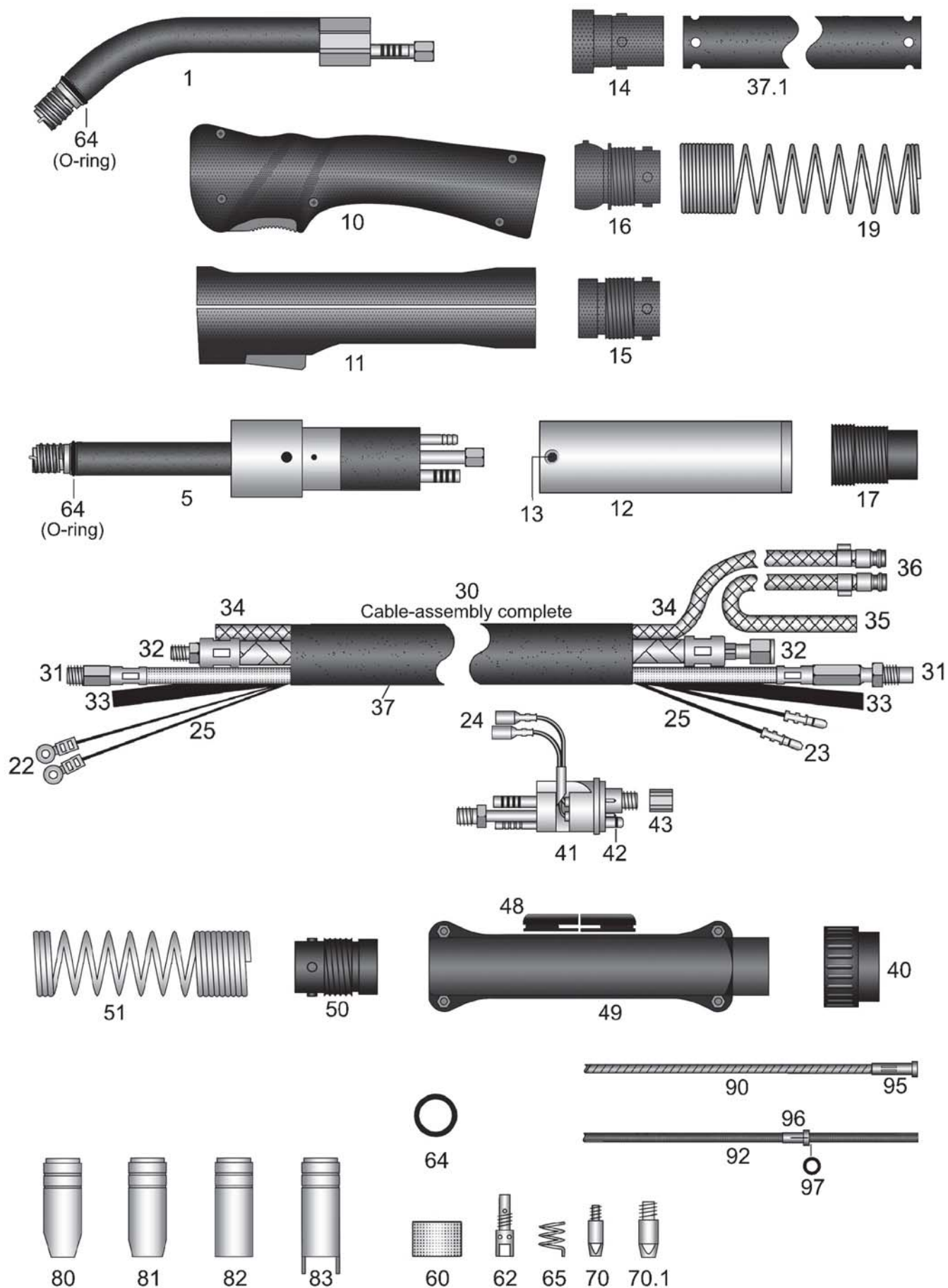
Holch Schweißbrenner GmbH
Bühlstraße 14
D-57080 Siegen

Phone: +49(0)271 387860-11
Telefax: +49(0)271 387860-29
E-Mail: info@holch-siegen.de
Web: www.holch-siegen.de



MHS 352-S water-cooled

320 Ampere at 100% duty cycle (CO₂) - 280 Ampere at 100% duty cycle (mixed gas)



HSN 131-1

Welding-torch MIG-MAG water-cooled**320A at 100% duty cycle (CO2) - 280A at 100% duty cycle (mixed gas)****Art.-No.****Spare parts as torch MHS 25-SPEZIAL gas-cooled**

| | |
|----------|-------------------------------------------------------------------|
| 35200311 | Torch MHS 352-S / 3m EURO central adapter plugged |
| 35200411 | Torch MHS 352-S / 4m EURO central adapter plugged |
| 35200511 | Torch MHS 352-S / 5m EURO central adapter plugged |
| 35250311 | AUTomatic-torch MHS 352-S / 3m EURO central adapter plugged |
| 35200312 | Torch MHS 352-S / 3m EURO central adapter screwable M14 |
| 35200412 | Torch MHS 352-S / 4m EURO central adapter screwable M14 |
| 35200512 | Torch MHS 352-S / 5m EURO central adapter screwable M14 |
| 35250312 | AUTomatic-torch MHS 352-S / 3m EURO central adapter screwable M14 |

**For torches without EURO central-adaptor the following prices apply.
Please note that for some special machine side connections surcharges may arise,
which you will find in the appendix "A" custom made products.**

| | |
|----------|----------------------------------------|
| 35200301 | Torch MHS 352-S / 3m plugged |
| 35200401 | Torch MHS 352-S / 4m plugged |
| 35200501 | Torch MHS 352-S / 5m plugged |
| 35250301 | AUTomatic-torch MHS 352-S / 3m plugged |

| | |
|----------|----------------------------------------------|
| 35200302 | Torch MHS 352-S / 3m screwable M14 |
| 35200402 | Torch MHS 352-S / 4m screwable M14 |
| 35200502 | Torch MHS 352-S / 5m screwable M14 |
| 35250302 | AUTomatic-torch MHS 352-S / 3m screwable M14 |

Special lengths for hand- and AUTomatic-torches please notice appendix "B".

Torches with flexible and highly heat resistant cable assemblies available for small surcharges! Please see appendix "B"

| | |
|---------------|---------------------------------------------------------------------------|
| pg000001 | Surcharge: Pistol-shape-handle / stabilizer |
| N.i. 91912453 | Heat protection shield for pistol handle, screws included |
| 29004602 | Surcharge: Torch body with custom bending |
| 91900102 | Adapter EURO central adapter fits power source with Dinse central adapter |

All torch bodies and AUTomatic torch bodies with rubber insulation, very massive power conduit, max. cooling water conduit, complete with o-ring and teflon insulator.

| | | |
|------|----------|----------------------------------------------------------------|
| 1 | 35291001 | Torch body plugged |
| N.i. | 30405001 | Surcharge: with brazen inner tube ID3-AD4mm for aluminium wire |
| 5 | 35291501 | AUTomatic-torch body plugged |
| N.i. | 35291003 | Torch body screwable M14 |
| N.i. | 35291502 | AUTomatic-torch body screwable M14 |

Handles complete with switch, screws and ball joint

| | | |
|------|----------|---------------------------------------------------------|
| 10 | 91912536 | Ratio-handle 20mm with ball joint |
| 10 | 91912436 | Ratio-handle 20mm standard (without ball joint) |
| N.i. | 91912438 | Ratio microswitch DC2 also fits RAUCH handle |
| N.i. | 91912439 | Push button red for Ratio handle also fits RAUCH handle |
| N.i. | 91912441 | Ratio spring fits button Ratio grip handle |
| 11 | 91912103 | Industry-handle 20mm with ball joint |

Welding-torch MIG-MAG water-cooled**320A at 100% duty cycle (CO2) - 280A at 100% duty cycle (mixed gas)**

| Art.-No. | | |
|----------------------------------------------------------------------------------------------------------------------------------|----------|-----------------------------------------------------------------------------------------|
| 11 | 91912431 | Industry-handle 20mm standard (without ball joint) |
| N.i. | 91920411 | Switch-set fits industry-handle for 16/18/20mm (11 parts) |
| N.i. | 91920702 | Screw M3x11,5mm fits Ratio/Industry/RAUCH handle and cable support |
| N.i. | 91920703 | M3 mounting socket fits Ratio/Industry/RAUCH handle and cable support |
| 12 | 91912921 | AUT handle tube, brass-cladded AD38mm for AUT-torch standard |
| 13 | 91912911 | Holding screw M4x6mm fits AUT handle tube |
| 14 | 50191251 | Rubber cable-support RETRO |
| 15 | 91912701 | Spring socket pistol side fits handle without ball joint |
| 16 | 91912704 | Spring socket pistol side fits handle with ball joint |
| 17 | 91912711 | AUT spring socket |
| 19 | 91912501 | Cable support spring pistol-side fits water-cooled torches |
| N.i. | 91912511 | AUT cable support spring (long design) |
| N.i. | 91912521 | AUT suspension spring |
| N.i. | 91912531 | AUT carabiner |
| N.i. | 10089001 | Single stroke button (rubber) |
| 22 | 91902811 | Cable-plug fits industry-handle |
| 23 | 91902901 | Male connector cable-plug for machine side EURO central adapter |
| 24 | 91903001 | Female connector cable-plug fits machine side EURO central adapter |
| 25 | 91902502 | Meter control line flat, 4x0,5mm ² (available on reels 200m) |
| Spare cable-assemblies complete with cable support spring and fittings. Standard or with ball joint - please specify! | | |
| 30 | 09200312 | Spare cable assembly 3m / without EURO central adapter |
| 30 | 09200412 | Spare cable assembly 4m / without EURO central adapter |
| 30 | 09200512 | Spare cable assembly 5m / without EURO central adapter |
| Supply lines and thermo-hoses, superflexible and highly heat resistant please see appendix "C" and "D" | | |
| 31 | 0950a311 | Wire conduit flexible MHS / 3m EURO central adapter (flexible) |
| 31 | 0950a411 | Wire conduit flexible MHS / 4m EURO central adapter (flexible) |
| 31 | 0950a511 | Wire conduit flexible MHS / 5m EURO central adapter (flexible) |
| 32 | 09400311 | ST 80 PVC-NIT power/water cable MHS / 3m EURO central adapter |
| 32 | 09400411 | ST 80 PVC-NIT power/water cable MHS / 4m EURO central adapter |
| 32 | 09400511 | ST 80 PVC-NIT power/water cable MHS / 5m EURO central adapter |
| Supply lines for AUTomatic torches. | | |
| 31 | 0950d311 | AUT wire conduit MHS / 3m EURO central adapter white (hard) |
| 32 | 09400313 | HT 110 rubber fabric hose power/water cable MHS / 3m EURO central adapter |
| Reel goods: Prices are per meter and only applicable if a complete reel is purchased. | | |
| 33 | 41500001 | Meter ST 70 PVC hose ID4,0-W1,5mm black for gas (100m) |
| 34 | 50150001 | Meter ST 80 PVC-NIT fabric hose ID5,0-W1,5mm blue for water (100m) |
| 35 | 50151001 | Meter ST 80 PVC-NIT fabric hose ID5,0-W1,5mm red for water (100m) |
| 36 | 91901001 | Cooling liquid plug nipples EURO |
| N.i. | 91901008 | Closing cap blue fits cooling liquid plug nipples EURO |
| N.i. | 91901009 | Closing cap red fits cooling liquid plug nipples EURO |
| 37 | 25151001 | Meter rubberized fabric protective hose ID25-W1,5mm (40m) |
| 37.1 | 25151311 | Rubberized fabric protective hose ID25-W1,5mm perforated fits 3m / EURO central adapter |

Welding-torch MIG-MAG water-cooled

320A at 100% duty cycle (CO₂) - 280A at 100% duty cycle (mixed gas)

| Art.-No. | | |
|----------|----------|-----------------------------------------------------------------------------------------|
| 37.1 | 25151411 | Rubberized fabric protective hose ID25-W1,5mm perforated fits 4m / EURO central adapter |
| 37.1 | 25151511 | Rubberized fabric protective hose ID25-W1,5mm perforated fits 5m / EURO central adapter |
| 40 | 91900701 | Terminal nut insulated fits EURO central adapter |
| 41 | 91900201 | Central adapter fixed contact-pins EURO central adapter |
| 41 | 91900206 | Central adapter spring contact-pins EURO central adapter |
| 42 | 91900801 | O-ring ID4-W1mm fits gas-nipple EURO central adapter |
| 43 | 91900901 | Coupling nut IT-M10x1 (rounded edges) fits EURO central adapter |
| 48 | 91901011 | Rubber-hose-fence fits cable support |
| 49 | 91900561 | Cable support machine side (screws included) EURO central adapter |
| N.i. | 91920702 | Screw M3x11,5mm fits Ratio/Industry/RAUCH handle and cable support |
| N.i. | 91920703 | M3 mounting socket fits Ratio/Industry/RAUCH handle and cable support |
| N.i. | 91900601 | Attachment screw M4x6mm fits cable support EURO central adapter |
| 50 | 91912801 | Spring-socket EURO central adapter |
| 51 | 91912601 | Cable support spring fits EURO / ESAB central adapter |
| 60 | 35291201 | Teflon insulator |
| 62 | 25980001 | Contact tip holder IT-M6-D10-L35mm |
| N.i. | 25981001 | Contact tip holder IT-M8-SW10-L35mm |
| 64 | 10089061 | O-ring ID12-W3mm |
| 65 | 25912001 | Nozzle spring for gas nozzle |
| 70 | 62808001 | Contact tip M6-L28-AD8 0,8 |
| 70 | 62810001 | Contact tip M6-L28-AD8 1,0 |
| 70 | 62812001 | Contact tip M6-L28-AD8 1,2 |
| 70 | 62814001 | Contact tip M6-L28-AD8 1,4 |
| 70 | 62808401 | Contact tip M6-L28-AD8 CuCrZr 0,8 |
| 70 | 62810401 | Contact tip M6-L28-AD8 CuCrZr 1,0 |
| 70 | 62812401 | Contact tip M6-L28-AD8 CuCrZr 1,2 |
| 70 | 62808301 | Contact tip M6-L28-AD8 0,8 nickel-plated |
| 70 | 62810301 | Contact tip M6-L28-AD8 1,0 nickel-plated |
| 70 | 62812301 | Contact tip M6-L28-AD8 1,2 nickel-plated |
| 70 | 62814301 | Contact tip M6-L28-AD8 1,4 nickel-plated |
| 70 | 62808a01 | Contact tip M6-L28-D8 0,8-A for aluminium wire |
| 70 | 62810a01 | Contact tip M6-L28-D8 1,0-A for aluminium wire |
| 70 | 62812a01 | Contact tip M6-L28-D8 1,2-A for aluminium wire |
| 70.1 | 83008001 | Contact tip M8-L30-AD10 0,8 |
| 70.1 | 83010001 | Contact tip M8-L30-AD10 1,0 |
| 70.1 | 83012001 | Contact tip M8-L30-AD10 1,2 |
| 70.1 | 83014001 | Contact tip M8-L30-AD10 1,4 |
| 70.1 | 83010401 | Contact tip M8-L30-AD10 CuCrZr 1,0 |
| 70.1 | 83012401 | Contact tip M8-L30-AD10 CuCrZr 1,2 |
| 70.1 | 83014401 | Contact tip M8-L30-AD10 CuCrZr 1,4 |
| 70.1 | 83008301 | Contact tip M8-L30-AD10 0,8 nickel-plated |
| 70.1 | 83010301 | Contact tip M8-L30-AD10 1,0 nickel-plated |
| 70.1 | 83012301 | Contact tip M8-L30-AD10 1,2 nickel-plated |
| 70.1 | 83014301 | Contact tip M8-L30-AD10 1,4 nickel-plated |
| 80 | 25930001 | Gas nozzle conical-ID12mm plugged |
| 80 | 25931001 | Gas nozzle conical-ID12mm screwable M14 |

Welding-torch MIG-MAG water-cooled**320A at 100% duty cycle (CO₂) - 280A at 100% duty cycle (mixed gas)**

| Art.-No. | | |
|---------------------------------------------------------------------|-----------------|-------------------------------------------------------------------|
| 81 | 25930101 | Gas nozzle conical-ID15mm plugged |
| 81 | 25930102 | Gas nozzle conical-ID15mm with insulating plugged |
| 81 | 25931101 | Gas nozzle conical-ID15mm screwable M14 |
| 81 | 25931102 | Gas nozzle conical-ID15mm with insulating screwable M14 |
| | | |
| 82 | 25930301 | Gas nozzle cylindric-ID18mm plugged |
| 82 | 25930302 | Gas nozzle cylindric-ID18mm with insulating plugged |
| 82 | 25931301 | Gas nozzle cylindric-ID18mm screwable M14 |
| 82 | 25931302 | Gas nozzle cylindric-ID18mm with insulating screwable M14 |
| | | |
| 83 | 25930501 | Spotweld gas nozzle plugged |
| 83 | 25931501 | Spotweld gas nozzle screwable M14 |
| | | |
| Spirals and liners also available in other sizes on inquiry! | | |
| 90 | 20450311 | Guide spiral-line ID2,0-AD4,5 fits 3m / EURO central adapter |
| 90 | 20450411 | Guide spiral-line ID2,0-AD4,5 fits 4m / EURO central adapter |
| 90 | 20450511 | Guide spiral-line ID2,0-AD4,5 fits 5m / EURO central adapter |
| | | |
| 92 | 20393311 | PTFE-carbon core liner ID2,0-AD3,9 fits 3m / EURO central adapter |
| 92 | 20393411 | PTFE-carbon core liner ID2,0-AD3,9 fits 4m / EURO central adapter |
| 92 | 20393511 | PTFE-carbon core liner ID2,0-AD3,9 fits 5m / EURO central adapter |
| | | |
| 92 | 23476311 | PA-core liner black ID2,3-AD4,7 fits 3m / EURO central adapter |
| 92 | 23476411 | PA-core liner black ID2,3-AD4,7 fits 4m / EURO central adapter |
| 92 | 23476511 | PA-core liner black ID2,3-AD4,7 fits 5m / EURO central adapter |
| | | |
| 92 | 20406311 | PA-core liner black ID2,0-AD4,0 fits 3m / EURO central adapter |
| 92 | 20406411 | PA-core liner black ID2,0-AD4,0 fits 4m / EURO central adapter |
| 92 | 20406511 | PA-core liner black ID2,0-AD4,0 fits 5m / EURO central adapter |
| | | |
| N.i. | 20405002 | Brass spiral liner blue L300mm IG fits AD3,9/4,0mm |
| N.i. | 20405001 | Brass spiral liner green L300mm IG fits AD4,7mm |
| | | |
| 95 | 91905721 | Nipple fits spiral liner EURO central adapter AD 4,5mm |
| 96 | 91906111 | Nipple fits core liner EURO central adapter AD3,9/4,0mm |
| 96 | 91906121 | Nipple fits core liner EURO central adapter AD 4,7mm |
| 97 | 91906131 | O-ring ID3,5-W1,5 fits core liners |
| N.i. | 91906112 | Support tube, brass ID4,4 - AD5,0 - L200mm |

Torch MHS 353-R water-cooled

The factory standard gear is marked in red.



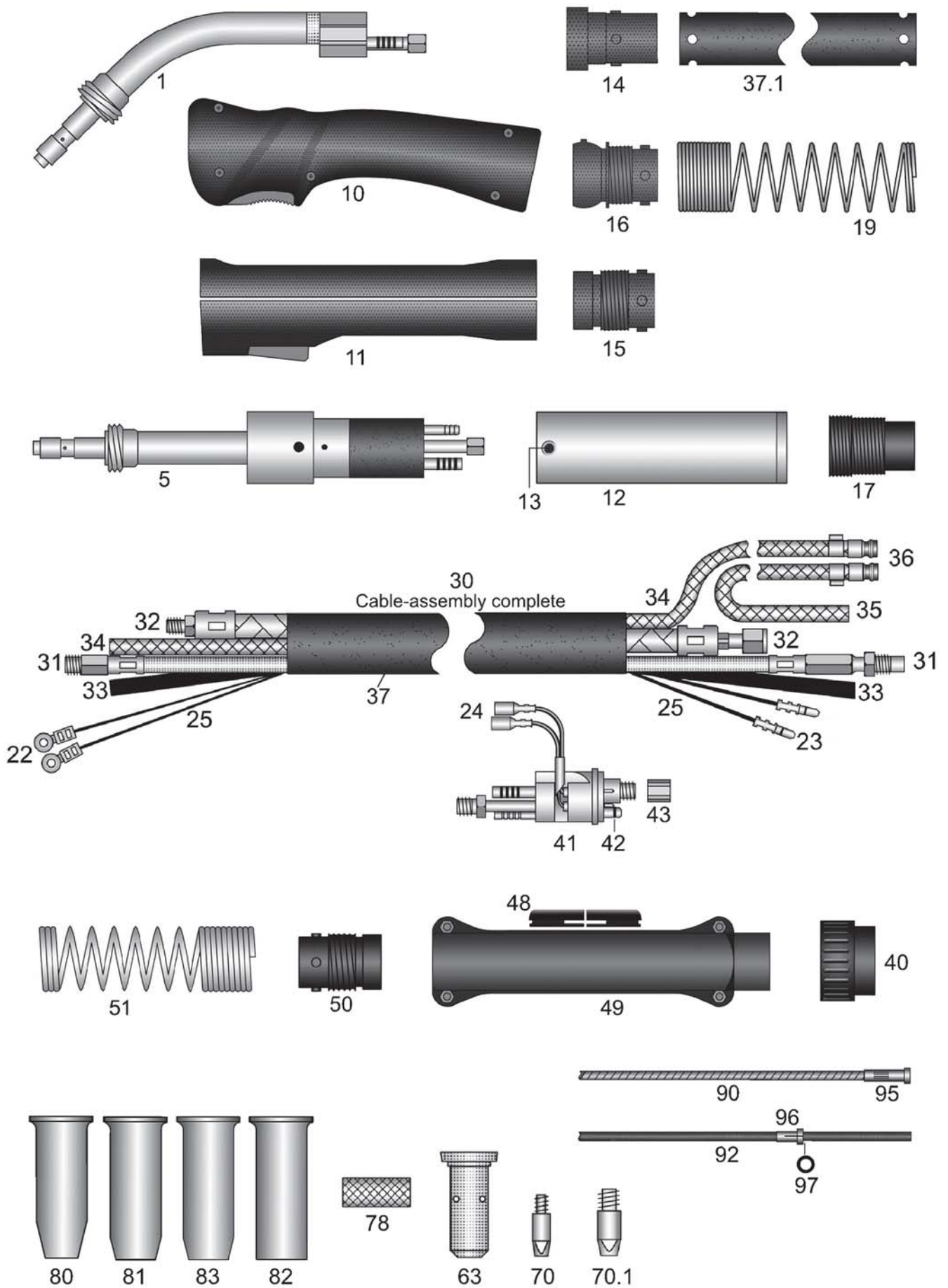
Holch Schweißbrenner GmbH
Bühlstraße 14
D-57080 Siegen

Phone: +49(0)271 387860-11
Telefax: +49(0)271 387860-29
E-Mail: info@holch-siegen.de
Web: www.holch-siegen.de



MHS 353-R water-cooled

350 Ampere at 100% duty cycle (CO₂) - 310 Ampere at 100% duty cycle (mixed gas)



HSN 132

Welding-torch MIG-MAG water-cooled**350A at 100% duty cycle (CO2) - 310A at 100% duty cycle (mixed gas)****Art.-No.****Spare parts as torch MHS 32 gas-cooled**

| | |
|----------|-------------------------------------------------------------------------------|
| 35300311 | Torch MHS 353-R / 3m EURO central adapter soldered in tip holder M6 |
| 35300411 | Torch MHS 353-R / 4m EURO central adapter soldered in tip holder M6 |
| 35300511 | Torch MHS 353-R / 5m EURO central adapter soldered in tip holder M6 |
| 35350311 | AUTomatic-torch MHS 353-R / 3m EURO central adapter soldered in tip holder M6 |
| 35300312 | Torch MHS 353-R / 3m EURO central adapter soldered in tip holder M8 |
| 35300412 | Torch MHS 353-R / 4m EURO central adapter soldered in tip holder M8 |
| 35300512 | Torch MHS 353-R / 5m EURO central adapter soldered in tip holder M8 |
| 35350312 | AUTomatic-torch MHS 353-R / 3m EURO central adapter soldered in tip holder M8 |

**For torches without EURO central-adaptor the following prices apply.
Please note that for some special machine side connections surcharges may arise,
which you will find in the appendix "A" custom made products.**

| | |
|----------|----------------------------------------------------------|
| 35300301 | Torch MHS 353-R / 3m soldered in tip holder M6 |
| 35300401 | Torch MHS 353-R / 4m soldered in tip holder M6 |
| 35300501 | Torch MHS 353-R / 5m soldered in tip holder M6 |
| 35350301 | AUTomatic-torch MHS 353-R / 3m soldered in tip holder M6 |
| 35300302 | Torch MHS 353-R / 3m soldered in tip holder M8 |
| 35300402 | Torch MHS 353-R / 4m soldered in tip holder M8 |
| 35300502 | Torch MHS 353-R / 5m soldered in tip holder M8 |
| 35350302 | AUTomatic-torch MHS 353-R / 3m soldered in tip holder M8 |

Special lengths for hand- and AUTomatic-torches please notice appendix "B".

Torches with flexible and highly heat resistant cable assemblies available for small surcharges! Please see appendix "B"

| | |
|---------------|---------------------------------------------------------------------------|
| pg000001 | Surcharge: Pistol-shape-handle / stabilizer |
| N.i. 91912453 | Heat protection shield for pistol handle, screws included |
| 29004602 | Surcharge: Torch body with custom bending |
| 91900102 | Adapter EURO central adapter fits power source with Dinse central adapter |

All torch bodies and AUTomatic torch bodies with teflon insulation, nickel coated brazen outer tube and very massive power conduit and max. cooling water conduits.

| | | |
|------|----------|----------------------------------------------------------------|
| 1 | 35391001 | Torch body with soldered in tip holder M6 |
| 1 | 35391101 | Torch body with soldered in tip holder M8 |
| N.i. | 30405001 | Surcharge: with brazen inner tube ID3-AD4mm for aluminium wire |
| 5 | 35391501 | AUTomatic-torch body with soldered in tip holder M6 |
| 5 | 35391511 | AUTomatic-torch body with soldered in tip holder M8 |

Handles complete with switch, screws and ball joint

| | | |
|------|----------|---------------------------------------------------------|
| 10 | 91912535 | Ratio-handle 18mm with ball joint |
| 10 | 91912435 | Ratio-handle 18mm standard (without ball joint) |
| N.i. | 91912438 | Ratio microswitch DC2 also fits RAUCH handle |
| N.i. | 91912439 | Push button red for Ratio handle also fits RAUCH handle |
| N.i. | 91912441 | Ratio spring fits button Ratio grip handle |
| 11 | 91912102 | Industry-handle 18mm with ball joint |
| 11 | 91912331 | Industry-handle 18mm standard (without ball joint) |

Welding-torch MIG-MAG water-cooled**350A at 100% duty cycle (CO2) - 310A at 100% duty cycle (mixed gas)**

| Art.-No. | | |
|----------------------------------------------------------------------------------------------------------------------------------|----------|---------------------------------------------------------------------------|
| o.A | 91920411 | Switch-set fits industry-handle for 16/18/20mm (11 parts) |
| N.i. | 91920702 | Screw M3x11,5mm fits Ratio/Industry/RAUCH handle and cable support |
| N.i. | 91920703 | M3 mounting socket fits Ratio/Industry/RAUCH handle and cable support |
| 12 | 91912921 | AUT handle tube, brass-cladded AD38mm for AUT-torch standard |
| 13 | 91912911 | Holding screw M4x6mm fits AUT handle tube |
| 14 | 50191251 | Rubber cable-support RETRO |
| 15 | 91912701 | Spring socket pistol side fits handle without ball joint |
| 16 | 91912704 | Spring socket pistol side fits handle with ball joint |
| 17 | 91912711 | AUT spring socket |
| 19 | 91912501 | Cable support spring pistol-side fits water-cooled torches |
| N.i. | 91912511 | AUT cable support spring (long design) |
| N.i. | 91912521 | AUT suspension spring |
| N.i. | 91912531 | AUT carabiner |
| N.i. | 10089001 | Single stroke button (rubber) |
| 22 | 91902811 | Cable-plug fits industry-handle |
| 23 | 91902901 | Male connector cable-plug for machine side EURO central adapter |
| 24 | 91903001 | Female connector cable-plug fits machine side EURO central adapter |
| 25 | 91902502 | Meter control line flat, 4x0,5mm ² (available on reels 200m) |
| Spare cable-assemblies complete with cable support spring and fittings. Standard or with ball joint - please specify! | | |
| 30 | 09200312 | Spare cable assembly 3m / without EURO central adapter |
| 30 | 09200412 | Spare cable assembly 4m / without EURO central adapter |
| 30 | 09200512 | Spare cable assembly 5m / without EURO central adapter |
| Supply lines and thermo-hoses, superflexible and highly heat resistant please see appendix "C" and "D" | | |
| 31 | 0950a311 | Wire conduit flexible MHS / 3m EURO central adapter (flexible) |
| 31 | 0950a411 | Wire conduit flexible MHS / 4m EURO central adapter (flexible) |
| 31 | 0950a511 | Wire conduit flexible MHS / 5m EURO central adapter (flexible) |
| 32 | 09400311 | ST 80 PVC-NIT power/water cable MHS / 3m EURO central adapter |
| 32 | 09400411 | ST 80 PVC-NIT power/water cable MHS / 4m EURO central adapter |
| 32 | 09400511 | ST 80 PVC-NIT power/water cable MHS / 5m EURO central adapter |
| Supply lines for AUTomatic torches. | | |
| 31 | 0950d311 | AUT wire conduit MHS / 3m EURO central adapter white (hard) |
| 32 | 09400313 | HT 110 rubber fabric hose power/water cable MHS / 3m EURO central adapter |
| Reel goods: Prices are per meter and only applicable if a complete reel is purchased. | | |
| 33 | 41500001 | Meter ST 70 PVC hose ID4,0-W1,5mm black for gas (100m) |
| 34 | 50150001 | Meter ST 80 PVC-NIT fabric hose ID5,0-W1,5mm blue for water (100m) |
| 35 | 50151001 | Meter ST 80 PVC-NIT fabric hose ID5,0-W1,5mm red for water (100m) |
| 36 | 91901001 | Cooling liquid plug nipples EURO |
| N.i. | 91901008 | Closing cap blue fits cooling liquid plug nipples EURO |
| N.i. | 91901009 | Closing cap red fits cooling liquid plug nipples EURO |
| 37 | 25151001 | Meter rubberized fabric protective hose ID25-W1,5mm (40m) |

Welding-torch MIG-MAG water-cooled

350A at 100% duty cycle (CO₂) - 310A at 100% duty cycle (mixed gas)

| Art.-No. | | |
|----------|----------|-----------------------------------------------------------------------------------------|
| 37.1 | 25151311 | Rubberized fabric protective hose ID25-W1,5mm perforated fits 3m / EURO central adapter |
| 37.1 | 25151411 | Rubberized fabric protective hose ID25-W1,5mm perforated fits 4m / EURO central adapter |
| 37.1 | 25151511 | Rubberized fabric protective hose ID25-W1,5mm perforated fits 5m / EURO central adapter |
| 40 | 91900701 | Terminal nut insulated fits EURO central adapter |
| 41 | 91900201 | Central adapter fixed contact-pins EURO central adapter |
| 41 | 91900206 | Central adapter spring contact-pins EURO central adapter |
| 42 | 91900801 | O-ring ID4-W1mm fits gas-nipple EURO central adapter |
| 43 | 91900901 | Coupling nut IT-M10x1 (rounded edges) fits EURO central adapter |
| 48 | 91901011 | Rubber-hose-fence fits cable support |
| 49 | 91900561 | Cable support machine side (screws included) EURO central adapter |
| N.i. | 91920702 | Screw M3x11,5mm fits Ratio/Industry/RAUCH handle and cable support |
| N.i. | 91920703 | M3 mounting socket fits Ratio/Industry/RAUCH handle and cable support |
| N.i. | 91900601 | Attachment screw M4x6mm fits cable support EURO central adapter |
| 50 | 91912801 | Spring-socket EURO central adapter |
| 51 | 91912601 | Cable support spring fits EURO / ESAB central adapter |
| 63 | 32912001 | Gas diffusor-insulating fits contact tip M6-L28-D8 |
| 63 | 32912002 | Gas diffusor-insulating fits contact tip M8-L30-AD10 |
| 70 | 62808001 | Contact tip M6-L28-AD8 0,8 |
| 70 | 62810001 | Contact tip M6-L28-AD8 1,0 |
| 70 | 62812001 | Contact tip M6-L28-AD8 1,2 |
| 70 | 62814001 | Contact tip M6-L28-AD8 1,4 |
| 70 | 62808401 | Contact tip M6-L28-AD8 CuCrZr 0,8 |
| 70 | 62810401 | Contact tip M6-L28-AD8 CuCrZr 1,0 |
| 70 | 62812401 | Contact tip M6-L28-AD8 CuCrZr 1,2 |
| 70 | 62808301 | Contact tip M6-L28-AD8 0,8 nickel-plated |
| 70 | 62810301 | Contact tip M6-L28-AD8 1,0 nickel-plated |
| 70 | 62812301 | Contact tip M6-L28-AD8 1,2 nickel-plated |
| 70 | 62814301 | Contact tip M6-L28-AD8 1,4 nickel-plated |
| 70 | 62808a01 | Contact tip M6-L28-D8 0,8-A for aluminium wire |
| 70 | 62810a01 | Contact tip M6-L28-D8 1,0-A for aluminium wire |
| 70 | 62812a01 | Contact tip M6-L28-D8 1,2-A for aluminium wire |
| 70.1 | 83008001 | Contact tip M8-L30-AD10 0,8 |
| 70.1 | 83010001 | Contact tip M8-L30-AD10 1,0 |
| 70.1 | 83012001 | Contact tip M8-L30-AD10 1,2 |
| 70.1 | 83014001 | Contact tip M8-L30-AD10 1,4 |
| 70.1 | 83010401 | Contact tip M8-L30-AD10 CuCrZr 1,0 |
| 70.1 | 83012401 | Contact tip M8-L30-AD10 CuCrZr 1,2 |
| 70.1 | 83014401 | Contact tip M8-L30-AD10 CuCrZr 1,4 |
| 70.1 | 83008301 | Contact tip M8-L30-AD10 0,8 nickel-plated |
| 70.1 | 83010301 | Contact tip M8-L30-AD10 1,0 nickel-plated |
| 70.1 | 83012301 | Contact tip M8-L30-AD10 1,2 nickel-plated |
| 70.1 | 83014301 | Contact tip M8-L30-AD10 1,4 nickel-plated |
| 70.1 | 83008a01 | Contact tip M8-L30-D10 0,8-A for aluminium wire |
| 70.1 | 83010a01 | Contact tip M8-L30-D10 1,0-A for aluminium wire |
| 70.1 | 83012a01 | Contact tip M8-L30-D10 1,2-A for aluminium wire |

Welding-torch MIG-MAG water-cooled

350A at 100% duty cycle (CO2) - 310A at 100% duty cycle (mixed gas)

| Art.-No. | | |
|---------------------------------------------------------------------|-----------------|-------------------------------------------------------------------|
| 78 | 32912101 | Swivel nut for gas nozzle |
| N.i. | 32912102 | Swivel nut for gas nozzle widened fits heavy gass nozzle |
| 80 | 32930001 | Gas nozzle conical-ID12mm |
| 81 | 32931001 | Gas nozzle conical-ID15mm |
| 83 | 32932001 | Gas nozzle conical-ID16mm massy design |
| 82 | 32933001 | Gas nozzle cylindric-ID19mm |
| Spirals and liners also available in other sizes on inquiry! | | |
| 90 | 20450311 | Guide spiral-line ID2,0-AD4,5 fits 3m / EURO central adapter |
| 90 | 20450411 | Guide spiral-line ID2,0-AD4,5 fits 4m / EURO central adapter |
| 90 | 20450511 | Guide spiral-line ID2,0-AD4,5 fits 5m / EURO central adapter |
| 92 | 20393311 | PTFE-carbon core liner ID2,0-AD3,9 fits 3m / EURO central adapter |
| 92 | 20393411 | PTFE-carbon core liner ID2,0-AD3,9 fits 4m / EURO central adapter |
| 92 | 20393511 | PTFE-carbon core liner ID2,0-AD3,9 fits 5m / EURO central adapter |
| 92 | 20406311 | PA-core liner black ID2,0-AD4,0 fits 3m / EURO central adapter |
| 92 | 20406411 | PA-core liner black ID2,0-AD4,0 fits 4m / EURO central adapter |
| 92 | 20406511 | PA-core liner black ID2,0-AD4,0 fits 5m / EURO central adapter |
| 92 | 23476311 | PA-core liner black ID2,3-AD4,7 fits 3m / EURO central adapter |
| 92 | 23476411 | PA-core liner black ID2,3-AD4,7 fits 4m / EURO central adapter |
| 92 | 23476511 | PA-core liner black ID2,3-AD4,7 fits 5m / EURO central adapter |
| N.i. | 20405002 | Brass spiral liner blue L300mm IG fits AD3,9/4,0mm |
| N.i. | 20405001 | Brass spiral liner green L300mm IG fits AD4,7mm |
| 95 | 91905721 | Nipple fits spiral liner EURO central adapter AD 4,5mm |
| 96 | 91906111 | Nipple fits core liner EURO central adapter AD3,9/4,0mm |
| 96 | 91906121 | Nipple fits core liner EURO central adapter AD 4,7mm |
| 97 | 91906131 | O-ring ID3,5-W1,5 fits core liners |
| N.i. | 91906112 | Support tube, brass ID4,4 - AD5,0 - L200mm |

Torch MHS 353-R-SUPER water-cooled

The factory standard gear is marked in red.



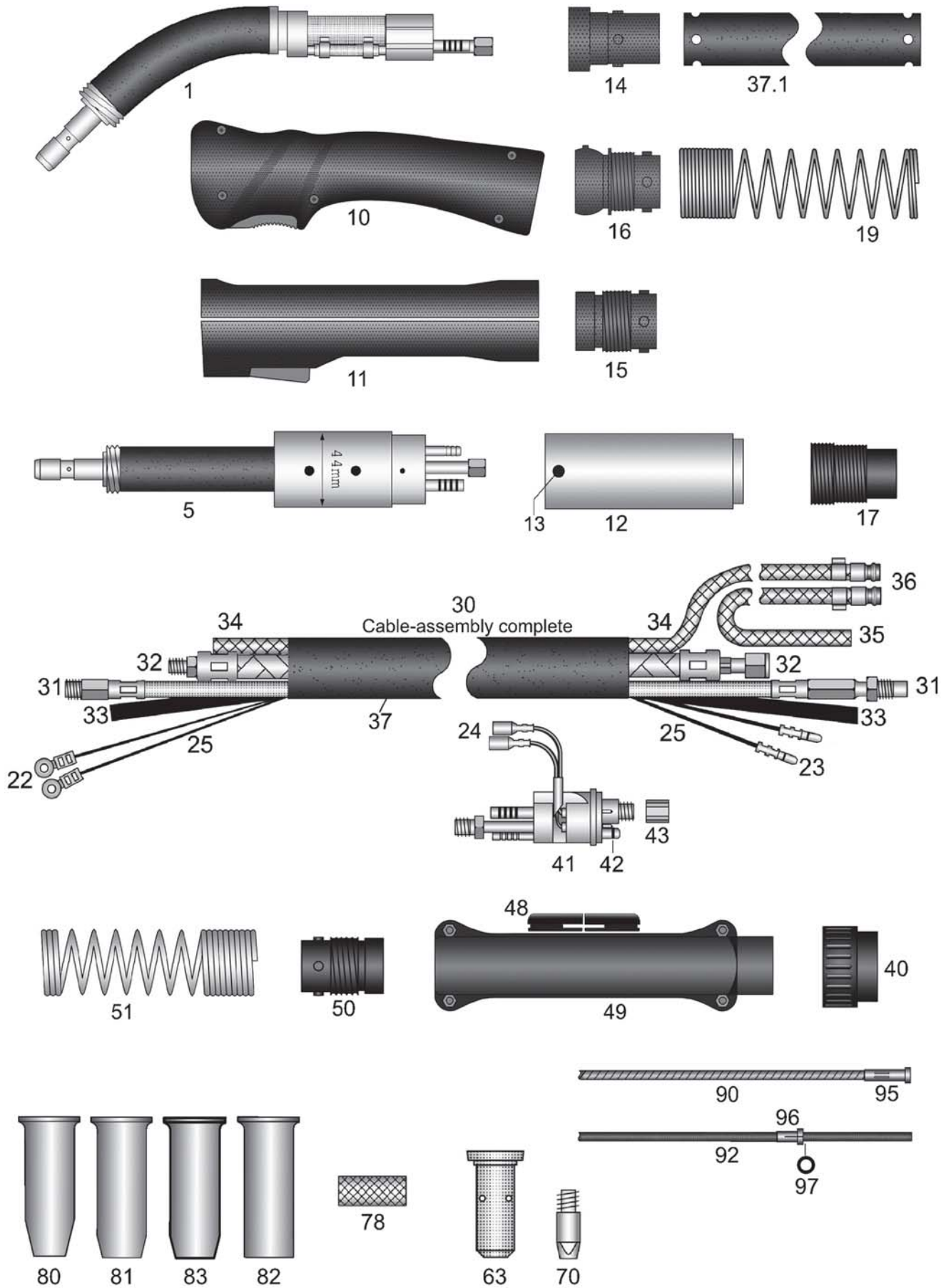
Holch Schweißbrenner GmbH
Bühlstraße 14
D-57080 Siegen

Phone: +49(0)271 387860-11
Telefax: +49(0)271 387860-29
E-Mail: info@holch-siegen.de
Web: www.holch-siegen.de

MHS 353-R-SUPER with Cascade cooling system



500 Ampere at 100% duty cycle (CO₂) - 450 Ampere at 100% duty cycle (mixed gas)



HSN 133

Welding-torch MIG-MAG water-cooled

500A at 100% duty cycle (CO2) - 450A at 100% duty cycle (mixed gas)

Art.-No.**Spare parts as torch MHS 32 gas-cooled**

| | |
|----------|-----------------------------------------------------------|
| 35320312 | Torch MHS 353-R-SUPER / 3m EURO central adapter |
| 35320412 | Torch MHS 353-R-SUPER / 4m EURO central adapter |
| 35320512 | Torch MHS 353-R-SUPER / 5m EURO central adapter |
| 35325312 | AUTomatic-torch MHS 353-R-SUPER / 3m EURO central adapter |

**For torches without EURO central-adaptor the following prices apply.
Please note that for some special machine side connections surcharges may arise,
which you will find in the appendix "A" custom made products.**

| | |
|----------|--------------------------------------|
| 35320302 | Torch MHS 353-R-SUPER / 3m |
| 35320402 | Torch MHS 353-R-SUPER / 4m |
| 35320502 | Torch MHS 353-R-SUPER / 5m |
| 35325302 | AUTomatic-torch MHS 353-R-SUPER / 3m |

Special lengths for hand- and AUTomatic-torches please notice appendix "B".

Torches with flexible and highly heat resistant cable assemblies available for small surcharges! Please see appendix "B"

| | |
|----------|---------------------------------------------------------------------------|
| 29004602 | Surcharge: Torch body with custom bending |
| 91900102 | Adapter EURO central adapter fits power source with Dinse central adapter |

Torch bodies and AUTomatic torch bodies with 2 circuit cooling (Cascade cooling system)

| | | |
|------|----------|----------------------------------------------------------------|
| 1 | 35329102 | Torch body |
| N.i. | 30405001 | Surcharge: with brazen inner tube ID3-AD4mm for aluminium wire |
| 5 | 35329152 | AUTomatic-torch body |

Handles complete with switch, screws and ball joint

| | | |
|------|----------|-----------------------------------------------------------------------|
| 10 | 91912537 | Ratio-handle 21mm with ball joint |
| 10 | 91912437 | Ratio-handle 21mm standard (without ball joint) |
| N.i. | 91912438 | Ratio microswitch DC2 also fits RAUCH handle |
| N.i. | 91912439 | Push button red for Ratio handle also fits RAUCH handle |
| N.i. | 91912441 | Ratio spring fits button Ratio grip handle |
| 11 | 91912104 | Industry-handle 21mm with ball joint |
| 11 | 91912433 | Industry-handle 21mm standard (without ball joint) |
| o.A | 91920412 | Switch-set fits industry-handle for 21mm (9 parts) |
| N.i. | 91920702 | Screw M3x11,5mm fits Ratio/Industry/RAUCH handle and cable support |
| N.i. | 91920703 | M3 mounting socket fits Ratio/Industry/RAUCH handle and cable support |

| | | |
|----|----------|----------------------------------------------|
| 12 | 91912923 | AUT handle tube, aluminium-cladded AD44mm |
| 13 | 91912912 | Counter sunk bolt M4x6mm for AUT handle tube |

| | | |
|------|----------|------------------------------------------------------------|
| 14 | 50191251 | Rubber cable-support RETRO |
| 15 | 91912701 | Spring socket pistol side fits handle without ball joint |
| 16 | 91912704 | Spring socket pistol side fits handle with ball joint |
| 17 | 91912711 | AUT spring socket |
| 19 | 91912501 | Cable support spring pistol-side fits water-cooled torches |
| o.A | 91912511 | AUT cable support spring (long design) |
| N.i. | 91912521 | AUT suspension spring |
| N.i. | 91912531 | AUT carabiner |
| N.i. | 10089001 | Single stroke button (rubber) |

Welding-torch MIG-MAG water-cooled

500A at 100% duty cycle (CO₂) - 450A at 100% duty cycle (mixed gas)

| Art.-No. | | |
|----------------------------------------------------------------------------------------------------------------------------------|----------|-----------------------------------------------------------------------------------------|
| 22 | 91902811 | Cable-plug fits industry-handle |
| 23 | 91902901 | Male connector cable-plug for machine side EURO central adapter |
| 24 | 91903001 | Female connector cable-plug fits machine side EURO central adapter |
| 25 | 91902502 | Meter control line flat, 4x0,5mm ² (available on reels 200m) |
| Spare cable-assemblies complete with cable support spring and fittings. Standard or with ball joint - please specify! | | |
| 30 | 09200312 | Spare cable assembly 3m / without EURO central adapter |
| 30 | 09200412 | Spare cable assembly 4m / without EURO central adapter |
| 30 | 09200512 | Spare cable assembly 5m / without EURO central adapter |
| Supply lines and thermo-hoses, superflexible and highly heat resistant please see appendix "C" and "D" | | |
| 31 | 0950a311 | Wire conduit flexible MHS / 3m EURO central adapter (flexible) |
| 31 | 0950a411 | Wire conduit flexible MHS / 4m EURO central adapter (flexible) |
| 31 | 0950a511 | Wire conduit flexible MHS / 5m EURO central adapter (flexible) |
| 32 | 09400311 | ST 80 PVC-NIT power/water cable MHS / 3m EURO central adapter |
| 32 | 09400411 | ST 80 PVC-NIT power/water cable MHS / 4m EURO central adapter |
| 32 | 09400511 | ST 80 PVC-NIT power/water cable MHS / 5m EURO central adapter |
| Supply lines for AUTomatic torches. | | |
| 31 | 0950d311 | AUT wire conduit MHS / 3m EURO central adapter white (hard) |
| 32 | 09400313 | HT 110 rubber fabric hose power/water cable MHS / 3m EURO central adapter |
| Reel goods: Prices are per meter and only applicable if a complete reel is purchased. | | |
| 33 | 41500001 | Meter ST 70 PVC hose ID4,0-W1,5mm black for gas (100m) |
| 34 | 50150001 | Meter ST 80 PVC-NIT fabric hose ID5,0-W1,5mm blue for water (100m) |
| 35 | 50151001 | Meter ST 80 PVC-NIT fabric hose ID5,0-W1,5mm red for water (100m) |
| 36 | 91901001 | Cooling liquid plug nipples EURO |
| N.i. | 91901008 | Closing cap blue fits cooling liquid plug nipples EURO |
| N.i. | 91901009 | Closing cap red fits cooling liquid plug nipples EURO |
| 37 | 25151001 | Meter rubberized fabric protective hose ID25-W1,5mm (40m) |
| 37.1 | 25151311 | Rubberized fabric protective hose ID25-W1,5mm perforated fits 3m / EURO central adapter |
| 37.1 | 25151411 | Rubberized fabric protective hose ID25-W1,5mm perforated fits 4m / EURO central adapter |
| 37.1 | 25151511 | Rubberized fabric protective hose ID25-W1,5mm perforated fits 5m / EURO central adapter |
| 40 | 91900701 | Terminal nut insulated fits EURO central adapter |
| 41 | 91900201 | Central adapter fixed contact-pins EURO central adapter |
| 41 | 91900206 | Central adapter spring contact-pins EURO central adapter |
| 42 | 91900801 | O-ring ID4-W1mm fits gas-nipple EURO central adapter |
| 43 | 91900901 | Coupling nut IT-M10x1 (rounded edges) fits EURO central adapter |
| 48 | 91901011 | Rubber-hose-fence fits cable support |
| 49 | 91900561 | Cable support machine side (screws included) EURO central adapter |
| N.i. | 91920702 | Screw M3x11,5mm fits Ratio/Industry/RAUCH handle and cable support |
| N.i. | 91920703 | M3 mounting socket fits Ratio/Industry/RAUCH handle and cable support |
| N.i. | 91900601 | Attachment screw M4x6mm fits cable support EURO central adapter |

Welding-torch MIG-MAG water-cooled

500A at 100% duty cycle (CO₂) - 450A at 100% duty cycle (mixed gas)

| Art.-No. | | |
|---------------------------------------------------------------------|-----------------|-------------------------------------------------------------------|
| 50 | 91912801 | Spring-socket EURO central adapter |
| 51 | 91912601 | Cable support spring fits EURO / ESAB central adapter |
| 63 | 32912002 | Gas diffusor-insulating fits contact tip M8-L30-AD10 |
| 70 | 83008001 | Contact tip M8-L30-AD10 0,8 |
| 70 | 83010001 | Contact tip M8-L30-AD10 1,0 |
| 70 | 83012001 | Contact tip M8-L30-AD10 1,2 |
| 70 | 83014001 | Contact tip M8-L30-AD10 1,4 |
| 70 | 83016001 | Contact tip M8-L30-AD10 1,6 |
| 70 | 83020001 | Contact tip M8-L30-AD10 2,0 |
| 70 | 83010401 | Contact tip M8-L30-AD10 CuCrZr 1,0 |
| 70 | 83012401 | Contact tip M8-L30-AD10 CuCrZr 1,2 |
| 70 | 83014401 | Contact tip M8-L30-AD10 CuCrZr 1,4 |
| 70 | 83016401 | Contact tip M8-L30-AD10 CuCrZr 1,6 |
| 70 | 83020401 | Contact tip M8-L30-AD10 CuCrZr 2,0 |
| 70 | 83008301 | Contact tip M8-L30-AD10 0,8 nickel-plated |
| 70 | 83010301 | Contact tip M8-L30-AD10 1,0 nickel-plated |
| 70 | 83012301 | Contact tip M8-L30-AD10 1,2 nickel-plated |
| 70 | 83014301 | Contact tip M8-L30-AD10 1,4 nickel-plated |
| 70 | 83016301 | Contact tip M8-L30-AD10 1,6 nickel-plated |
| 70 | 83008a01 | Contact tip M8-L30-D10 0,8-A for aluminium wire |
| 70 | 83010a01 | Contact tip M8-L30-D10 1,0-A for aluminium wire |
| 70 | 83012a01 | Contact tip M8-L30-D10 1,2-A for aluminium wire |
| 70 | 83018301 | Contact tip M8-L30-D10 1,6-A nickel-plated for aluminium wire |
| 78 | 32912101 | Swivel nut for gas nozzle |
| N.i. | 32912102 | Swivel nut for gas nozzle widened fits heavy gass nozzle |
| 80 | 32930001 | Gas nozzle conical-ID12mm |
| 81 | 32931001 | Gas nozzle conical-ID15mm |
| 83 | 32932001 | Gas nozzle conical-ID16mm massy design |
| 82 | 32933001 | Gas nozzle cylindric-ID19mm |
| Spirals and liners also available in other sizes on inquiry! | | |
| 90 | 20450311 | Guide spiral-line ID2,0-AD4,5 fits 3m / EURO central adapter |
| 90 | 20450411 | Guide spiral-line ID2,0-AD4,5 fits 4m / EURO central adapter |
| 90 | 20450511 | Guide spiral-line ID2,0-AD4,5 fits 5m / EURO central adapter |
| 90 | 25450311 | Guide spiral-line ID2,5-AD4,5 fits 3m / EURO central adapter |
| 90 | 25450411 | Guide spiral-line ID2,5-AD4,5 fits 4m / EURO central adapter |
| 90 | 25450511 | Guide spiral-line ID2,5-AD4,5 fits 5m / EURO central adapter |
| 92 | 20393311 | PTFE-carbon core liner ID2,0-AD3,9 fits 3m / EURO central adapter |
| 92 | 20393411 | PTFE-carbon core liner ID2,0-AD3,9 fits 4m / EURO central adapter |
| 92 | 20393511 | PTFE-carbon core liner ID2,0-AD3,9 fits 5m / EURO central adapter |
| 92 | 27473311 | PTFE-carbon core liner ID2,7-AD4,7 fits 3m / EURO central adapter |
| 92 | 27473411 | PTFE-carbon core liner ID2,7-AD4,7 fits 4m / EURO central adapter |
| 92 | 27473511 | PTFE-carbon core liner ID2,7-AD4,7 fits 5m / EURO central adapter |

Welding-torch MIG-MAG water-cooled

500A at 100% duty cycle (CO₂) - 450A at 100% duty cycle (mixed gas)

| Art.-No. | | |
|----------|----------|----------------------------------------------------------------|
| 92 | 20406311 | PA-core liner black ID2,0-AD4,0 fits 3m / EURO central adapter |
| 92 | 20406411 | PA-core liner black ID2,0-AD4,0 fits 4m / EURO central adapter |
| 92 | 20406511 | PA-core liner black ID2,0-AD4,0 fits 5m / EURO central adapter |
| 92 | 23476311 | PA-core liner black ID2,3-AD4,7 fits 3m / EURO central adapter |
| 92 | 23476411 | PA-core liner black ID2,3-AD4,7 fits 4m / EURO central adapter |
| 92 | 23476511 | PA-core liner black ID2,3-AD4,7 fits 5m / EURO central adapter |
| 92 | 29476311 | PA-core liner black ID2,9-AD4,7 fits 3m / EURO central adapter |
| 92 | 29476411 | PA-core liner black ID2,9-AD4,7 fits 4m / EURO central adapter |
| 92 | 29476511 | PA-core liner black ID2,9-AD4,7 fits 5m / EURO central adapter |
| N.i. | 20405002 | Brass spiral liner blue L300mm IG fits AD3,9/4,0mm |
| N.i. | 20405001 | Brass spiral liner green L300mm IG fits AD4,7mm |
| 95 | 91905721 | Nipple fits spiral liner EURO central adapter AD 4,5mm |
| 96 | 91906111 | Nipple fits core liner EURO central adapter AD3,9/4,0mm |
| 96 | 91906121 | Nipple fits core liner EURO central adapter AD 4,7mm |
| 97 | 91906131 | O-ring ID3,5-W1,5 fits core liners |
| N.i. | 91906112 | Support tube, brass ID4,4 - AD5,0 - L200mm |

Torch MHS 354 water-cooled

The factory standard gear is marked in red.



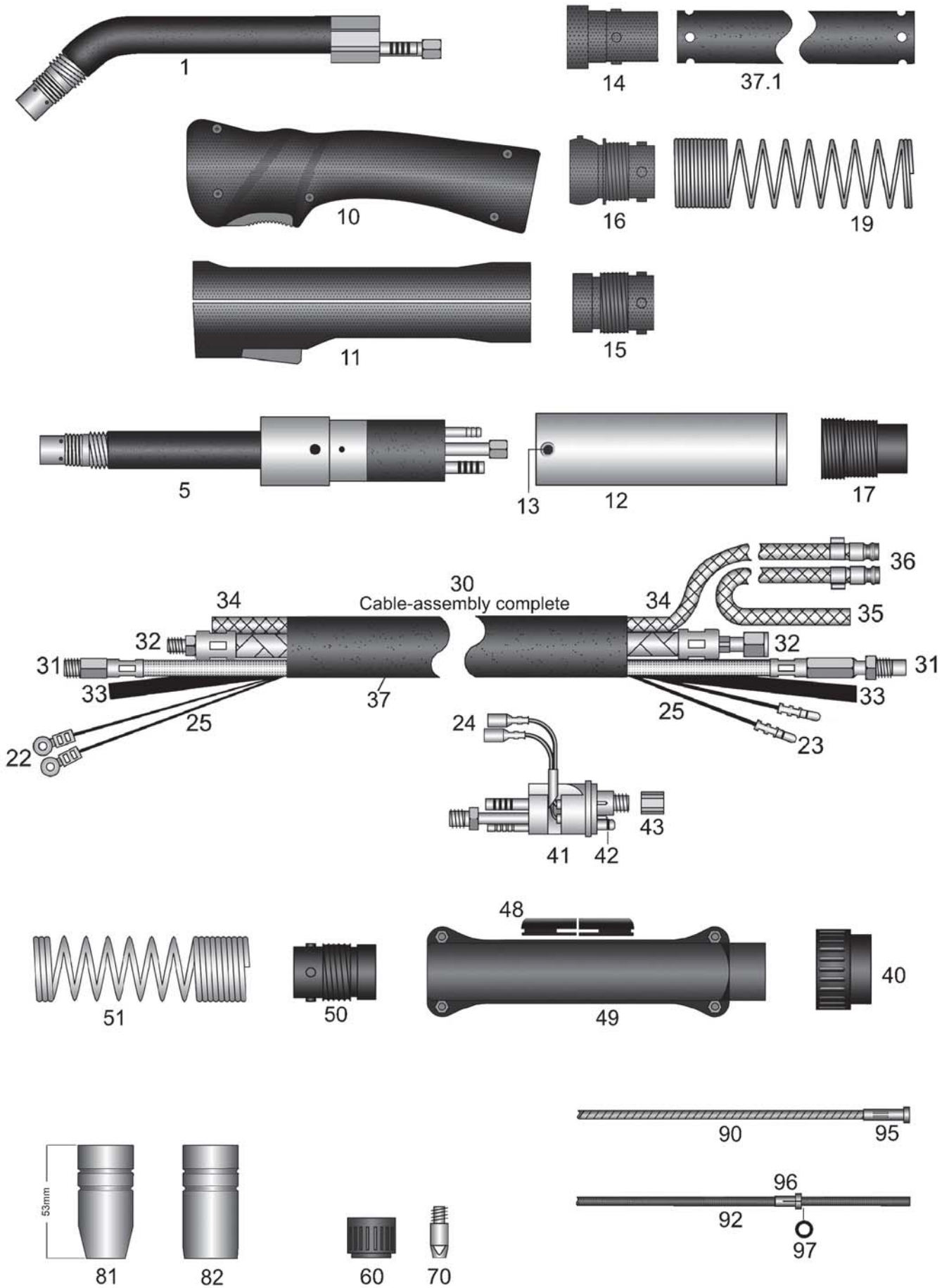
Holch Schweißbrenner GmbH
Bühlstraße 14
D-57080 Siegen

Phone: +49(0)271 387860-11
Telefax: +49(0)271 387860-29
E-Mail: info@holch-siegen.de
Web: www.holch-siegen.de

MHS 354 water-cooled



350 Ampere at 100% duty cycle (CO₂) - 310 Ampere at 100% duty cycle (mixed gas)



HSN 130A

Welding-torch MIG-MAG water-cooled**350A at 100% duty cycle (CO2) - 310A at 100% duty cycle (mixed gas)**

| Art.-No. | |
|----------|---------------------------------------------------|
| 35400311 | Torch MHS 354 / 3m EURO central adapter |
| 35400411 | Torch MHS 354 / 4m EURO central adapter |
| 35400511 | Torch MHS 354 / 5m EURO central adapter |
| 35450311 | AUTomatic-torch MHS 354 / 3m EURO central adapter |

**For torches without EURO central-adaptor the following prices apply.
Please note that for some special machine side connections surcharges may arise,
which you will find in the appendix "A" custom made products.**

| | |
|----------|------------------------------|
| 35400301 | Torch MHS 354 / 3m |
| 35400401 | Torch MHS 354 / 4m |
| 35400501 | Torch MHS 354 / 5m |
| 35450301 | AUTomatic-torch MHS 354 / 3m |

Special lengths for hand- and AUTomatic-torches please notice appendix "B".

Torches with flexible and highly heat resistant cable assemblies available for small surcharges! Please see appendix "B"

| | |
|---------------|-----------------------------------------------------------|
| pg000001 | Surcharge: Pistol-shape-handle / stabilizer |
| N.i. 91912453 | Heat protection shield for pistol handle, screws included |
| 29004602 | Surcharge: Torch body with custom bending |

| | |
|----------|---------------------------------------------------------------------------|
| 91900102 | Adapter EURO central adapter fits power source with Dinse central adapter |
|----------|---------------------------------------------------------------------------|

Torchbody and AUTomatic torch body with rubber insulation, very massive power conduit, max. cooling water circuits and small bending radius.

| | | |
|------|----------|----------------------------------------------------------------|
| 1 | 35491001 | Torch body |
| N.i. | 30405001 | Surcharge: with brazen inner tube ID3-AD4mm for aluminium wire |
| 5 | 35491501 | AUTomatic-torch body |

Handles complete with switch, screws and ball joint

| | | |
|------|----------|-----------------------------------------------------------------------|
| 10 | 91912536 | Ratio-handle 20mm with ball joint |
| 10 | 91912436 | Ratio-handle 20mm standard (without ball joint) |
| N.i. | 91912438 | Ratio microswitch DC2 also fits RAUCH handle |
| N.i. | 91912439 | Push button red for Ratio handle also fits RAUCH handle |
| N.i. | 91912441 | Ratio spring fits button Ratio grip handle |
| 11 | 91912103 | Industry-handle 20mm with ball joint |
| 11 | 91912431 | Industry-handle 20mm standard (without ball joint) |
| N.i. | 91920411 | Switch-set fits industry-handle for 16/18/20mm (11 parts) |
| N.i. | 91920702 | Screw M3x11,5mm fits Ratio/Industry/RAUCH handle and cable support |
| N.i. | 91920703 | M3 mounting socket fits Ratio/Industry/RAUCH handle and cable support |

| | | |
|----|----------|--------------------------------------------------------------|
| 12 | 91912921 | AUT handle tube, brass-cladded AD38mm for AUT-torch standard |
| 13 | 91912911 | Holding screw M4x6mm fits AUT handle tube |

| | | |
|------|----------|------------------------------------------------------------|
| 14 | 50191251 | Rubber cable-support RETRO |
| 15 | 91912701 | Spring socket pistol side fits handle without ball joint |
| 16 | 91912704 | Spring socket pistol side fits handle with ball joint |
| 17 | 91912711 | AUT spring socket |
| 19 | 91912501 | Cable support spring pistol-side fits water-cooled torches |
| N.i. | 91912511 | AUT cable support spring (long design) |
| N.i. | 91912521 | AUT suspension spring |

Welding-torch MIG-MAG water-cooled**350A at 100% duty cycle (CO2) - 310A at 100% duty cycle (mixed gas)**

| Art.-No. | | |
|----------------------------------------------------------------------------------------------------------------------------------|----------|-----------------------------------------------------------------------------------------|
| N.i. | 91912531 | AUT carabiner |
| N.i. | 10089001 | Single stroke button (rubber) |
| 22 | 91902811 | Cable-plug fits industry-handle |
| 23 | 91902901 | Male connector cable-plug for machine side EURO central adapter |
| 24 | 91903001 | Female connector cable-plug fits machine side EURO central adapter |
| 25 | 91902502 | Meter control line flat, 4x0,5mm ² (available on reels 200m) |
| Spare cable-assemblies complete with cable support spring and fittings. Standard or with ball joint - please specify! | | |
| 30 | 09200312 | Spare cable assembly 3m / without EURO central adapter |
| 30 | 09200412 | Spare cable assembly 4m / without EURO central adapter |
| 30 | 09200512 | Spare cable assembly 5m / without EURO central adapter |
| Supply lines and thermo-hoses, superflexible and highly heat resistant please see appendix "C" and "D" | | |
| 31 | 0950a311 | Wire conduit flexible MHS / 3m EURO central adapter (flexible) |
| 31 | 0950a411 | Wire conduit flexible MHS / 4m EURO central adapter (flexible) |
| 31 | 0950a511 | Wire conduit flexible MHS / 5m EURO central adapter (flexible) |
| 32 | 09400311 | ST 80 PVC-NIT power/water cable MHS / 3m EURO central adapter |
| 32 | 09400411 | ST 80 PVC-NIT power/water cable MHS / 4m EURO central adapter |
| 32 | 09400511 | ST 80 PVC-NIT power/water cable MHS / 5m EURO central adapter |
| Supply lines for AUTomatic torches. | | |
| 31 | 0950d311 | AUT wire conduit MHS / 3m EURO central adapter white (hard) |
| 32 | 09400313 | HT 110 rubber fabric hose power/water cable MHS / 3m EURO central adapter |
| Reel goods: Prices are per meter and only applicable if a complete reel is purchased. | | |
| 33 | 41500001 | Meter ST 70 PVC hose ID4,0-W1,5mm black for gas (100m) |
| 34 | 50150001 | Meter ST 80 PVC-NIT fabric hose ID5,0-W1,5mm blue for water (100m) |
| 35 | 50151001 | Meter ST 80 PVC-NIT fabric hose ID5,0-W1,5mm red for water (100m) |
| 36 | 91901001 | Cooling liquid plug nipples EURO |
| N.i. | 91901008 | Closing cap blue fits cooling liquid plug nipples EURO |
| N.i. | 91901009 | Closing cap red fits cooling liquid plug nipples EURO |
| 37 | 25151001 | Meter rubberized fabric protective hose ID25-W1,5mm (40m) |
| 37.1 | 25151311 | Rubberized fabric protective hose ID25-W1,5mm perforated fits 3m / EURO central adapter |
| 37.1 | 25151411 | Rubberized fabric protective hose ID25-W1,5mm perforated fits 4m / EURO central adapter |
| 37.1 | 25151511 | Rubberized fabric protective hose ID25-W1,5mm perforated fits 5m / EURO central adapter |
| 40 | 91900701 | Terminal nut insulated fits EURO central adapter |
| 41 | 91900201 | Central adapter fixed contact-pins EURO central adapter |
| 41 | 91900206 | Central adapter spring contact-pins EURO central adapter |
| 42 | 91900801 | O-ring ID4-W1mm fits gas-nipple EURO central adapter |
| 43 | 91900901 | Coupling nut IT-M10x1 (rounded edges) fits EURO central adapter |
| 48 | 91901011 | Rubber-hose-fence fits cable support |
| 49 | 91900561 | Cable support machine side (screws included) EURO central adapter |
| N.i. | 91920702 | Screw M3x11,5mm fits Ratio/Industry/RAUCH handle and cable support |

Welding-torch MIG-MAG water-cooled**350A at 100% duty cycle (CO₂) - 310A at 100% duty cycle (mixed gas)**

| Art.-No. | | |
|---------------------------------------------------------------------|-----------------|-----------------------------------------------------------------------|
| N.i. | 91920703 | M3 mounting socket fits Ratio/Industry/RAUCH handle and cable support |
| N.i. | 91900601 | Attachment screw M4x6mm fits cable support EURO central adapter |
| 50 | 91912801 | Spring-socket EURO central adapter |
| 51 | 91912601 | Cable support spring fits EURO / ESAB central adapter |
| 60 | 35191201 | Laminated fabric-tension-insulator |
| 70 | 83008001 | Contact tip M8-L30-AD10 0,8 |
| 70 | 83010001 | Contact tip M8-L30-AD10 1,0 |
| 70 | 83012001 | Contact tip M8-L30-AD10 1,2 |
| 70 | 83014001 | Contact tip M8-L30-AD10 1,4 |
| 70 | 83010401 | Contact tip M8-L30-AD10 CuCrZr 1,0 |
| 70 | 83012401 | Contact tip M8-L30-AD10 CuCrZr 1,2 |
| 70 | 83014401 | Contact tip M8-L30-AD10 CuCrZr 1,4 |
| 70 | 83008301 | Contact tip M8-L30-AD10 0,8 nickel-plated |
| 70 | 83010301 | Contact tip M8-L30-AD10 1,0 nickel-plated |
| 70 | 83012301 | Contact tip M8-L30-AD10 1,2 nickel-plated |
| 70 | 83014301 | Contact tip M8-L30-AD10 1,4 nickel-plated |
| 70 | 83008a01 | Contact tip M8-L30-D10 0,8-A for aluminium wire |
| 70 | 83010a01 | Contact tip M8-L30-D10 1,0-A for aluminium wire |
| 70 | 83012a01 | Contact tip M8-L30-D10 1,2-A for aluminium wire |
| 81 | 35493001 | Gas nozzle screwable M18 conical-ID17mm |
| 82 | 35493301 | Gas nozzle screwable M18 cylindric |
| Spirals and liners also available in other sizes on inquiry! | | |
| 90 | 20450311 | Guide spiral-line ID2,0-AD4,5 fits 3m / EURO central adapter |
| 90 | 20450411 | Guide spiral-line ID2,0-AD4,5 fits 4m / EURO central adapter |
| 90 | 20450511 | Guide spiral-line ID2,0-AD4,5 fits 5m / EURO central adapter |
| 92 | 20393311 | PTFE-carbon core liner ID2,0-AD3,9 fits 3m / EURO central adapter |
| 92 | 20393411 | PTFE-carbon core liner ID2,0-AD3,9 fits 4m / EURO central adapter |
| 92 | 20393511 | PTFE-carbon core liner ID2,0-AD3,9 fits 5m / EURO central adapter |
| 92 | 20406311 | PA-core liner black ID2,0-AD4,0 fits 3m / EURO central adapter |
| 92 | 20406411 | PA-core liner black ID2,0-AD4,0 fits 4m / EURO central adapter |
| 92 | 20406511 | PA-core liner black ID2,0-AD4,0 fits 5m / EURO central adapter |
| 92 | 23476311 | PA-core liner black ID2,3-AD4,7 fits 3m / EURO central adapter |
| 92 | 23476411 | PA-core liner black ID2,3-AD4,7 fits 4m / EURO central adapter |
| 92 | 23476511 | PA-core liner black ID2,3-AD4,7 fits 5m / EURO central adapter |
| N.i. | 20405002 | Brass spiral liner blue L300mm IG fits AD3,9/4,0mm |
| N.i. | 20405001 | Brass spiral liner green L300mm IG fits AD4,7mm |
| 95 | 91905721 | Nipple fits spiral liner EURO central adapter AD 4,5mm |
| 96 | 91906111 | Nipple fits core liner EURO central adapter AD3,9/4,0mm |
| 96 | 91906121 | Nipple fits core liner EURO central adapter AD 4,7mm |
| 97 | 91906131 | O-ring ID3,5-W1,5 fits core liners |
| N.i. | 91906112 | Support tube, brass ID4,4 - AD5,0 - L200mm |

Torch MHS RAUCH-450-SC water-cooled

Fume extraction torch

Product information:

At the pistol end the very light TPE extraction hose is protected by approx. 2m leather cover hose.
Damage caused by splashes or sharp edges is thus prevented.

The factory standard gear is marked in red.



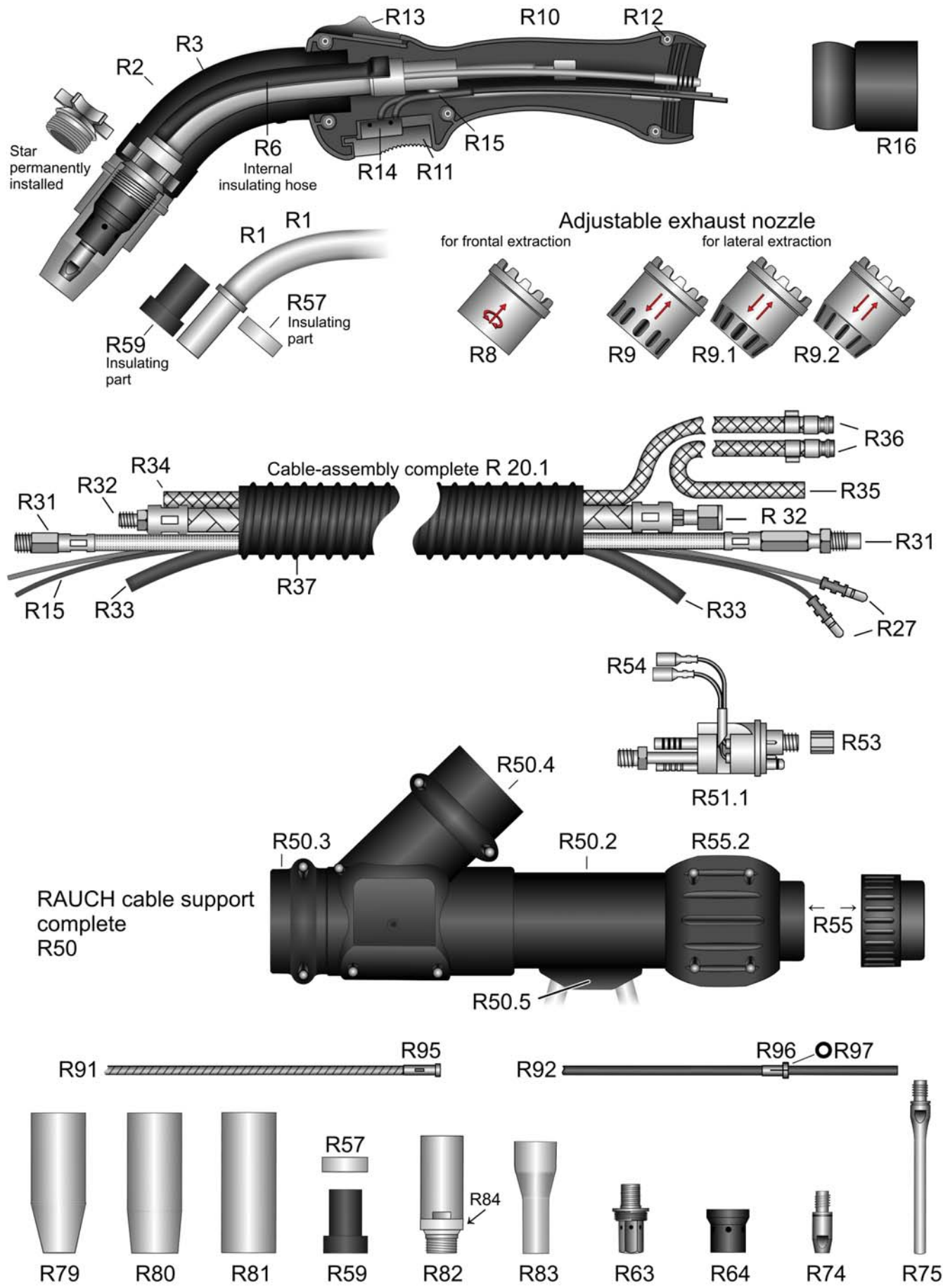
Holch Schweißbrenner GmbH
Bühlstraße 14
D-57080 Siegen

Phone: +49(0)271 387860-11
Telefax: +49(0)271 387860-29
E-Mail: info@holch-siegen.de
Web: www.holch-siegen.de



MHS RAUCH-450-SC water-cooled

550 Ampere at 100% duty cycle (CO₂) - 510 Ampere at 100% duty cycle (mixed gas)



HSN 872-5

Welding-torch MIG-MAG water-cooled

550A at 100% duty cycle (CO2) - 510A at 100% duty cycle (mixed gas)

Art.-No.**Spare parts as torch MHS RAUCH-350 gas-cooled**

r4500311 Torch MHS RAUCH-450-SC / 3m EURO central adapter exhaust hose ID38mm

r4500411 Torch MHS RAUCH-450-SC / 4m EURO central adapter exhaust hose ID38mm

r4500511 Torch MHS RAUCH-450-SC / 5m EURO central adapter exhaust hose ID38mm

**For torches without EURO central-adaptor the following prices apply.
Please note that for some special machine side connections surcharges may arise,
which you will find in the appendix "A" custom made products.**

r4500301 Torch MHS RAUCH-450-SC / 3m exhaust hose ID38mm

r4500401 Torch MHS RAUCH-450-SC / 4m exhaust hose ID38mm

r4500501 Torch MHS RAUCH-450-SC / 5m exhaust hose ID38mm

R1 r4509101 Torch body MHS RAUCH-450-SC

R2 r4509102 Fume suction tube for torch body RAUCH-350-SC/450-SC

R3 r4509103 Fume suction tube with torch body, complete with all consumables (conatct tip 1,2) without fume suction nozzle

R6 r2509121 Section of silicone/glas insulating hose ID12,6-L125mm heat resistant up to 200°C

R8 r9130001 Fume suction nozzle for RAUCH-350-SC / RAUCH-450-SC made of aluminium, frontal suction, adjustable, complete with special o-ring high temperature resistant

R8 r9130002 Fume suction nozzle for RAUCH-350-SC / RAUCH-450-SC made of brass nickel plated, frontal suction, adjustable, complete with special o-ring high temperature resistant

R9 r9130003 Fume suction nozzle for RAUCH-350-SC / RAUCH-450-SC made of brass nickel plated, side suction, adjustable, complete with special o-ring high temperature resistant

R9.1 r9130004 Fume suction nozzle for RAUCH-350-SC / RAUCH-450-SC made of brass nickel plated, conical, wide suction slots, complete with special o-ring high temperature resistant

R9.2 r9130005 Fume suction nozzle for RAUCH-350-SC / RAUCH-450-SC made of brass nickel plated, conical, narrow suction slots, complete with special o-ring high temperature resistant

N.i. r9131001 Special high heat resistant O-ring fits fume suction nozzle RAUCH-350-SC / RAUCH-450-SC

RAUCH-handle complete with air-slider, switch and all sundries. Please order ball joint separately.

R10 r9193801 RAUCH-handle black

R11 91912439 Push button red for Ratio handle also fits RAUCH handle

R12 91920703 M3 mounting socket fits Ratio/Industry/RAUCH handle and cable support

N.i. 91920702 Screw M3x11,5mm fits Ratio/Industry/RAUCH handle and cable support

R13 r9193802 RAUCH-air slider red

R14 91912438 Ratio microswitch DC2 also fits RAUCH handle

Reel goods:

Prices are per meter and only applicable if a complete reel is purchased.

R15 91902601 Meter control line 2x0,5mm² silicone red (100m)R15 91902602 Meter control line 2x0,5mm² silicone white (100m)

R16 r9193804 RAUCH-ball joint fits hose ID38mm

Cable assembly for EURO central adapter consisting of: Exhaust hose, wire conduit, power/watercable, water hose, gas hose and control line.

R20.1 ven91311 Spare cable assembly RAUCH-330 / RAUCH-450-SC 3m / without EURO central adapter separate lines, exhaust hose ID38mm, complete with 2m leather protection sleeve

R20.1 ven91411 Spare cable assembly RAUCH-330 / RAUCH-450-SC 4m / without EURO central adapter separate lines, exhaust hose ID38mm, complete with 2m leather protection sleeve

R20.1 ven91511 Spare cable assembly RAUCH-330 / RAUCH-450-SC 5m / without EURO central adapter separate lines, exhaust hose ID38mm, complete with 2m leather protection sleeve

Welding-torch MIG-MAG water-cooled

550A at 100% duty cycle (CO₂) - 510A at 100% duty cycle (mixed gas)

| Art.-No. | | |
|---------------------------------------------------------------------------------------------------------------------------------------------------------------|----------|--------------------------------------------------------------------------------------------------------------------------------------------------------------------------------------------------------------|
| R27 | 91902901 | Male connector cable-plug for machine side EURO central adapter |
| R31 | r950e311 | Wire conduit RAUCH / 3m EURO central adapter (PA) black (hard) |
| R31 | r950e411 | Wire conduit RAUCH / 4m EURO central adapter (PA) black (hard) |
| R31 | r950e511 | Wire conduit RAUCH / 5m EURO central adapter (PA) black (hard) |
| HT RAB heat-resistant special rubber fabric hose (fabric on inner side), thick, mechanically highly resilient and extremely welding fume resistant | | |
| R32 | r9400311 | HT RAB rubber fabric hose power/water cable RAUCH / 3m EURO central adapter |
| R32 | r9400411 | HT RAB rubber fabric hose power/water cable RAUCH / 4m EURO central adapter |
| R32 | r9400511 | HT RAB rubber fabric hose power/water cable RAUCH / 5m EURO central adapter |
| Reel goods: Prices are per meter and only applicable if a complete reel is purchased. | | |
| N.i. | r3800001 | Meter exhaust hose ID38mm (18m) |
| N.i. | r3800011 | Leather-sleeve ID-45mm appr. 2m long, for fume extraction hose ID-38mm |
| R33 | 50170005 | Meter HT 130 TPE fabric hose ID5,0-W1,7mm grey (100m) |
| R34 | 50172005 | Meter HT 130 TPE fabric hose ID5,0-W1,7mm blue for water "RAUCH" (100m) |
| R35 | 50171005 | Meter HT 130 TPE fabric hose ID5,0-W1,7mm red for water "RAUCH" (100m) |
| N.i. | 81000001 | Meter PUR protection hose ID8,5-W1mm fits water hoses OD8,4mm (100m) |
| N.i. | s5080001 | Meter shrinking hose, heatresistant 2:1, ID50,8mm (5m) |
| R36 | 91901001 | Cooling liquid plug nipples EURO |
| N.i. | 91901008 | Closing cap blue fits cooling liquid plug nipples EURO |
| N.i. | 91901009 | Closing cap red fits cooling liquid plug nipples EURO |
| R37 | r3800311 | Section of exhaust hose 2,4m ID38mm / fits 3m RAUCH torch |
| R37 | r3800411 | Section of exhaust hose 3,4m ID38mm / fits 4m RAUCH torch |
| R37 | r3800511 | Section of exhaust hose 4,4m ID38mm / fits 5m RAUCH torch |
| R50 | 91700001 | Fume central adapter connection-system for water-cooled torches complete. Consisting of: 91700061 + 91700011 + 91700021 + 91700031 + 91700051 + 91700041 + 91900702 |
| R50.2 | 91700061 | Fume central adapter / fume protected area to connect support lines, lateral mouth for rubber grommet, 2 halves complete with bushing and screws and 1 red O-ring |
| R50.3 | 91700011 | Fume central adapter chamber rotatable 360°. 2 halves complete with bushing, screws and 2 O-rings (red). Fits to genuine Holch extraction connection adapter 4° and central adapter connection chamber |
| R50.4 | 91700021 | Fume central adapter extraction connection 45°, 2 half pieces complete with bushes and screws. Only for genuine Holch central adapter rotatable extraction chamber |
| N.i. | 91700031 | Fume central adapter membrane OD35-8mm thick for the genuine Holch fume protected central adapter connection chamber for water-cooled RAUCH fume extraction torch |
| R50.5 | 91700051 | Fume central adapter rubber grommet with 2 inlets for water lines for the genuine Holch fume protected central adapter connection chamber |
| N.i. | r9131002 | Special high heat resistant O-ring ID33mm-W2mm fits fume extraction connection chamber |
| N.i. | 91700111 | Special high heat resistant O-ring ID46mm-W2mm fits fume extraction chamber |
| R51 | 91900106 | Central adapter spring contact-pins EURO central adapter |
| R51 | 91900101 | Central adapter fixed contact-pins EURO central adapter |
| R51.1 | 91900206 | Central adapter spring contact-pins EURO central adapter |
| R51.1 | 91900201 | Central adapter fixed contact-pins EURO central adapter |
| R52 | 91900801 | O-ring ID4-W1mm fits gas-nipple EURO central adapter |

Welding-torch MIG-MAG water-cooled

550A at 100% duty cycle (CO₂) - 510A at 100% duty cycle (mixed gas)

| Art.-No. | | |
|----------|----------|------------------------------------------------------------------------------------------------------------|
| R53 | 91900901 | Coupling nut IT-M10x1 (rounded edges) fits EURO central adapter |
| R54 | 91903001 | Female connector cable-plug fits machine side EURO central adapter |
| R55 | 91900702 | Terminal nut insulated fits EURO central adapter (widened fits RAUCH) |
| R55.2 | 91700041 | Strengthening for terminal nut EURO vental adapter2 halves complete with bushing and screws (black) |
| R57 | r9120002 | Peek insulation for RAUCH-350-SC / RAUCH-450-SC (back) |
| R59 | r9121001 | HT-insulation black power fits RAUCH-350-SC / RAUCH-450-SC (front) with long cylinder |
| R63 | r9800002 | Contact tip holder M8 with OT-M16x1 fits gas diffusor |
| R64 | r9120004 | HT-gasdiffusor black power with IT-M16x1 and drilling 18mm black |
| R74 | 83008401 | Contact tip M8-L30-D10 0,8 CuCrZr |
| R74 | 83010401 | Contact tip M8-L30-AD10 CuCrZr 1,0 |
| R74 | 83012401 | Contact tip M8-L30-AD10 CuCrZr 1,2 |
| R74 | 83014401 | Contact tip M8-L30-AD10 CuCrZr 1,4 |
| R74 | 83016401 | Contact tip M8-L30-AD10 CuCrZr 1,6 |
| R74 | 83020401 | Contact tip M8-L30-AD10 CuCrZr 2,0 |
| R74 | 83008a01 | Contact tip M8-L30-D10 0,8-A for aluminium wire |
| R74 | 83010a01 | Contact tip M8-L30-D10 1,0-A for aluminium wire |
| R74 | 83012a01 | Contact tip M8-L30-D10 1,2-A for aluminium wire |
| R74 | 83018301 | Contact tip M8-L30-D10 1,6-A nickel-plated for aluminium wire |
| R75 | 88551241 | Narrow gap-contact tip M8-L85,5-D10 turned down to 6mm 1,2 CuCrZr |
| R79 | r9310001 | Screwable gas nozzle conical ID12mm |
| R80 | r9300001 | Screwable gas nozzle conical ID16mm |
| R81 | r9330001 | Screwable gas nozzle cylindric ID21mm |
| R82 | r4509362 | Narrow-gap lower section with PTFE sealing ring for RAUCH-350-SC / RAUCH-450-SC |
| R83 | r4509365 | Narrow gap gas-nozzle ID12-OD12mm / length 62,5mm for narrow-gap lower section RAUCH-350-SC / RAUCH-450-SC |
| R84 | r4509363 | PTFE sealing ring for narrow-gap lower section RAUCH-350-SC / RAUCH-450-SC |
| R91 | 19390311 | Guide spiral-line ID1,9-AD3,9 fits 3m / EURO central adapter |
| R91 | 19390411 | Guide spiral-line ID1,9-AD3,9 fits 4m / EURO central adapter |
| R91 | 19390511 | Guide spiral-line ID1,9-AD3,9 fits 5m / EURO central adapter |
| R91 | 20450311 | Guide spiral-line ID2,0-AD4,5 fits 3m / EURO central adapter |
| R91 | 20450411 | Guide spiral-line ID2,0-AD4,5 fits 4m / EURO central adapter |
| R91 | 20450511 | Guide spiral-line ID2,0-AD4,5 fits 5m / EURO central adapter |
| R91 | 25450311 | Guide spiral-line ID2,5-AD4,5 fits 3m / EURO central adapter |
| R91 | 25450411 | Guide spiral-line ID2,5-AD4,5 fits 4m / EURO central adapter |
| R91 | 25450511 | Guide spiral-line ID2,5-AD4,5 fits 5m / EURO central adapter |
| R92 | 20393311 | PTFE-carbon core liner ID2,0-AD3,9 fits 3m / EURO central adapter |
| R92 | 20393411 | PTFE-carbon core liner ID2,0-AD3,9 fits 4m / EURO central adapter |
| R92 | 20393511 | PTFE-carbon core liner ID2,0-AD3,9 fits 5m / EURO central adapter |
| R92 | 27473311 | PTFE-carbon core liner ID2,7-AD4,7 fits 3m / EURO central adapter |

Welding-torch MIG-MAG water-cooled

550A at 100% duty cycle (CO₂) - 510A at 100% duty cycle (mixed gas)

| Art.-No. | | |
|----------|----------|-------------------------------------------------------------------|
| R92 | 27473411 | PTFE-carbon core liner ID2,7-AD4,7 fits 4m / EURO central adapter |
| R92 | 27473511 | PTFE-carbon core liner ID2,7-AD4,7 fits 5m / EURO central adapter |
| R92 | 20406311 | PA-core liner black ID2,0-AD4,0 fits 3m / EURO central adapter |
| R92 | 20406411 | PA-core liner black ID2,0-AD4,0 fits 4m / EURO central adapter |
| R92 | 20406511 | PA-core liner black ID2,0-AD4,0 fits 5m / EURO central adapter |
| R92 | 23476311 | PA-core liner black ID2,3-AD4,7 fits 3m / EURO central adapter |
| R92 | 23476411 | PA-core liner black ID2,3-AD4,7 fits 4m / EURO central adapter |
| R92 | 23476511 | PA-core liner black ID2,3-AD4,7 fits 5m / EURO central adapter |
| N.i. | 20405002 | Brass spiral liner blue L300mm IG fits AD3,9/4,0mm |
| N.i. | 20405001 | Brass spiral liner green L300mm IG fits AD4,7mm |
| R95 | 91905721 | Nipple fits spiral liner EURO central adapter AD 4,5mm |
| R96 | 91906111 | Nipple fits core liner EURO central adapter AD3,9/4,0mm |
| R96 | 91906121 | Nipple fits core liner EURO central adapter AD 4,7mm |
| R97 | 91906131 | O-ring ID3,5-W1,5 fits core liners |
| N.i. | 91906112 | Support tube, brass ID4,4 - AD5,0 - L200mm |

Torch MHS BOB-450w

The factory standard gear is marked in red.



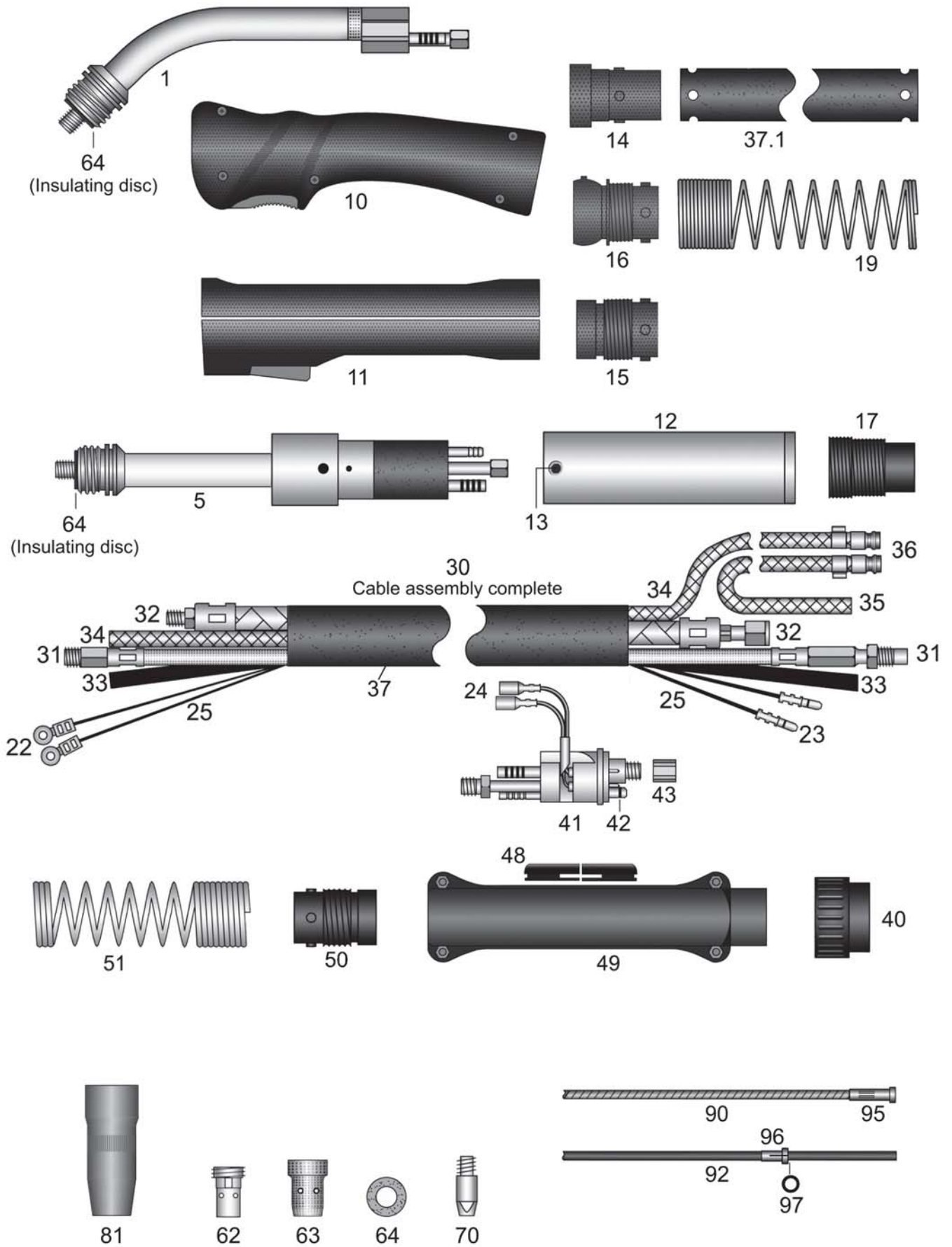
Holch Schweißbrenner GmbH
Bühlstraße 14
D-57080 Siegen

Phone: +49(0)271 387860-11
Telefax: +49(0)271 387860-29
E-Mail: info@holch-siegen.de
Web: www.holch-siegen.de



MHS BOB - 450w water-cooled

450 Ampere at 100% duty cycle (CO₂) - 400 Ampere at 100% duty cycle (mixed gas)



HSN 910

Welding-torch MIG-MAG water-cooled**500A at 100% duty cycle (CO2) - 450A at 100% duty cycle (mixed gas)****Art.-No.****Spare parts as torch MHS BOB-45g gas-cooled**

| | |
|----------|--------------------------------------------------------|
| 45000311 | Torch MHS BOB-450w / 3m EURO central adapter |
| 45000411 | Torch MHS BOB-450w / 4m EURO central adapter |
| 45000511 | Torch MHS BOB-450w / 5m EURO central adapter |
| 45050311 | AUTomatic-torch MHS BOB-450w / 3m EURO central adapter |

**For torches without EURO central-adaptor the following prices apply.
Please note that for some special machine side connections surcharges may arise,
which you will find in the appendix "A" custom made products.**

| | |
|----------|-----------------------------------|
| 45000301 | Torch MHS BOB-450w / 3m |
| 45000401 | Torch MHS BOB-450w / 4m |
| 45000501 | Torch MHS BOB-450w / 4m |
| 45050301 | AUTomatic-torch MHS BOB-450w / 3m |

Special lengths for hand- and AUTomatic-torches please notice appendix "B".

Torches with flexible and highly heat resistant cable assemblies available for small surcharges! Please see appendix "B"

| | |
|---------------|---------------------------------------------------------------------------|
| pg000001 | Surcharge: Pistol-shape-handle / stabilizer |
| N.i. 91912453 | Heat protection shield for pistol handle, screws included |
| 29004602 | Surcharge: Torch body with custom bending |
| 91900102 | Adapter EURO central adapter fits power source with Dinse central adapter |

All torch bodies and AUTomatic torch bodies with teflon insulation, nickel coated brazen outer tube with cooling ribs,max. cooling water conduits, very massive power conduit, complete with contact tip holder M8 and insulator disc.

| | | |
|------|----------|----------------------------------------------------------------|
| 1 | 45091001 | Torch-body |
| N.i. | 30405001 | Surcharge: with brazen inner tube ID3-AD4mm for aluminium wire |
| 5 | 45091501 | AUTomatic-torch body |

Handles complete with switch, screws and ball joint

| | | |
|------|----------|-----------------------------------------------------------------------|
| 10 | 91912535 | Ratio-handle 18mm with ball joint |
| 10 | 91912435 | Ratio-handle 18mm standard (without ball joint) |
| N.i. | 91912438 | Ratio microswitch DC2 also fits RAUCH handle |
| N.i. | 91912439 | Push button red for Ratio handle also fits RAUCH handle |
| N.i. | 91912441 | Ratio spring fits button Ratio grip handle |
| 11 | 91912102 | Industry-handle 18mm with ball joint |
| 11 | 91912331 | Industry-handle 18mm standard (without ball joint) |
| N.i. | 91920411 | Switch-set fits industry-handle for 16/18/20mm (11 parts) |
| N.i. | 91920702 | Screw M3x11,5mm fits Ratio/Industry/RAUCH handle and cable support |
| N.i. | 91920703 | M3 mounting socket fits Ratio/Industry/RAUCH handle and cable support |

| | | |
|----|----------|--------------------------------------------------------------|
| 12 | 91912921 | AUT handle tube, brass-cladded AD38mm for AUT-torch standard |
| 13 | 91912911 | Holding screw M4x6mm fits AUT handle tube |
| 14 | 50191251 | Rubber cable-support RETRO |
| 15 | 91912701 | Spring socket pistol side fits handle without ball joint |
| 16 | 91912704 | Spring socket pistol side fits handle with ball joint |
| 17 | 91912711 | AUT spring socket |
| 19 | 91912501 | Cable support spring pistol-side fits water-cooled torches |

Welding-torch MIG-MAG water-cooled**500A at 100% duty cycle (CO2) - 450A at 100% duty cycle (mixed gas)**

| Art.-No. | | |
|----------------------------------------------------------------------------------------------------------------------------------|----------|-----------------------------------------------------------------------------------------|
| N.i. | 91912511 | AUT cable support spring (long design) |
| N.i. | 91912521 | AUT suspension spring |
| N.i. | 91912531 | AUT carabiner |
| N.i. | 10089001 | Single stroke button (rubber) |
| 22 | 91902811 | Cable-plug fits industry-handle |
| 23 | 91902901 | Male connector cable-plug for machine side EURO central adapter |
| 24 | 91903001 | Female connector cable-plug fits machine side EURO central adapter |
| 25 | 91902502 | Meter control line flat, 4x0,5mm ² (available on reels 200m) |
| Spare cable-assemblies complete with cable support spring and fittings. Standard or with ball joint - please specify! | | |
| 30 | 09200312 | Spare cable assembly 3m / without EURO central adapter |
| 30 | 09200412 | Spare cable assembly 4m / without EURO central adapter |
| 30 | 09200512 | Spare cable assembly 5m / without EURO central adapter |
| Supply lines and thermo-hoses, superflexible and highly heat resistant please see appendix "C" and "D" | | |
| 31 | 0950a311 | Wire conduit flexible MHS / 3m EURO central adapter (flexible) |
| 31 | 0950a411 | Wire conduit flexible MHS / 4m EURO central adapter (flexible) |
| 31 | 0950a511 | Wire conduit flexible MHS / 5m EURO central adapter (flexible) |
| 32 | 09400311 | ST 80 PVC-NIT power/water cable MHS / 3m EURO central adapter |
| 32 | 09400411 | ST 80 PVC-NIT power/water cable MHS / 4m EURO central adapter |
| 32 | 09400511 | ST 80 PVC-NIT power/water cable MHS / 5m EURO central adapter |
| Supply lines for AUTomatic torches. | | |
| 31 | 0950d311 | AUT wire conduit MHS / 3m EURO central adapter white (hard) |
| 32 | 09400313 | HT 110 rubber fabric hose power/water cable MHS / 3m EURO central adapter |
| Reel goods: Prices are per meter and only applicable if a complete reel is purchased. | | |
| 33 | 41500001 | Meter ST 70 PVC hose ID4,0-W1,5mm black for gas (100m) |
| 34 | 50150001 | Meter ST 80 PVC-NIT fabric hose ID5,0-W1,5mm blue for water (100m) |
| 35 | 50151001 | Meter ST 80 PVC-NIT fabric hose ID5,0-W1,5mm red for water (100m) |
| 36 | 91901001 | Cooling liquid plug nipples EURO |
| N.i. | 91901008 | Closing cap blue fits cooling liquid plug nipples EURO |
| N.i. | 91901009 | Closing cap red fits cooling liquid plug nipples EURO |
| 37 | 25151001 | Meter rubberized fabric protective hose ID25-W1,5mm (40m) |
| 37.1 | 25151311 | Rubberized fabric protective hose ID25-W1,5mm perforated fits 3m / EURO central adapter |
| 37.1 | 25151411 | Rubberized fabric protective hose ID25-W1,5mm perforated fits 4m / EURO central adapter |
| 37.1 | 25151511 | Rubberized fabric protective hose ID25-W1,5mm perforated fits 5m / EURO central adapter |
| 40 | 91900701 | Terminal nut insulated fits EURO central adapter |
| 41 | 91900201 | Central adapter fixed contact-pins EURO central adapter |
| 41 | 91900206 | Central adapter spring contact-pins EURO central adapter |
| 42 | 91900801 | O-ring ID4-W1mm fits gas-nipple EURO central adapter |
| 43 | 91900901 | Coupling nut IT-M10x1 (rounded edges) fits EURO central adapter |
| 48 | 91901011 | Rubber-hose-fence fits cable support |
| 49 | 91900561 | Cable support machine side (screws included) EURO central adapter |

Welding-torch MIG-MAG water-cooled**500A at 100% duty cycle (CO2) - 450A at 100% duty cycle (mixed gas)**

| Art.-No. | | |
|---------------------------------------------------------------------|----------|-----------------------------------------------------------------------|
| N.i. | 91920702 | Screw M3x11,5mm fits Ratio/Industry/RAUCH handle and cable support |
| N.i. | 91920703 | M3 mounting socket fits Ratio/Industry/RAUCH handle and cable support |
| N.i. | 91900601 | Attachment screw M4x6mm fits cable support EURO central adapter |
| 50 | 91912801 | Spring-socket EURO central adapter |
| 51 | 91912601 | Cable support spring fits EURO / ESAB central adapter |
| 62 | 50198001 | Contact tip holder IT-M8 AG-M16x1-L25mm |
| 63 | 50191201 | Gas diffusor Keripol white |
| 63 | 50191204 | HT-gasdiffusor black power |
| 63 | 50191203 | Ceramic-gas diffusor |
| 64 | 50191241 | Insulator |
| 70 | 83008001 | Contact tip M8-L30-AD10 0,8 |
| 70 | 83010001 | Contact tip M8-L30-AD10 1,0 |
| 70 | 83012001 | Contact tip M8-L30-AD10 1,2 |
| 70 | 83014001 | Contact tip M8-L30-AD10 1,4 |
| 70 | 83016001 | Contact tip M8-L30-AD10 1,6 |
| 70 | 83020001 | Contact tip M8-L30-AD10 2,0 |
| 70 | 83010401 | Contact tip M8-L30-AD10 CuCrZr 1,0 |
| 70 | 83012401 | Contact tip M8-L30-AD10 CuCrZr 1,2 |
| 70 | 83014401 | Contact tip M8-L30-AD10 CuCrZr 1,4 |
| 70 | 83016401 | Contact tip M8-L30-AD10 CuCrZr 1,6 |
| 70 | 83020401 | Contact tip M8-L30-AD10 CuCrZr 2,0 |
| 70 | 83008301 | Contact tip M8-L30-AD10 0,8 nickel-plated |
| 70 | 83010301 | Contact tip M8-L30-AD10 1,0 nickel-plated |
| 70 | 83012301 | Contact tip M8-L30-AD10 1,2 nickel-plated |
| 70 | 83014301 | Contact tip M8-L30-AD10 1,4 nickel-plated |
| 70 | 83016301 | Contact tip M8-L30-AD10 1,6 nickel-plated |
| 70 | 83008a01 | Contact tip M8-L30-D10 0,8-A for aluminium wire |
| 70 | 83010a01 | Contact tip M8-L30-D10 1,0-A for aluminium wire |
| 70 | 83012a01 | Contact tip M8-L30-D10 1,2-A for aluminium wire |
| 70 | 83018301 | Contact tip M8-L30-D10 1,6-A nickel-plated for aluminium wire |
| Spirals and liners also available in other sizes on inquiry! | | |
| 90 | 20450311 | Guide spiral-line ID2,0-AD4,5 fits 3m / EURO central adapter |
| 90 | 20450411 | Guide spiral-line ID2,0-AD4,5 fits 4m / EURO central adapter |
| 90 | 20450511 | Guide spiral-line ID2,0-AD4,5 fits 5m / EURO central adapter |
| 90 | 25450311 | Guide spiral-line ID2,5-AD4,5 fits 3m / EURO central adapter |
| 90 | 25450411 | Guide spiral-line ID2,5-AD4,5 fits 4m / EURO central adapter |
| 90 | 25450511 | Guide spiral-line ID2,5-AD4,5 fits 5m / EURO central adapter |
| 92 | 20393311 | PTFE-carbon core liner ID2,0-AD3,9 fits 3m / EURO central adapter |
| 92 | 20393411 | PTFE-carbon core liner ID2,0-AD3,9 fits 4m / EURO central adapter |
| 92 | 20393511 | PTFE-carbon core liner ID2,0-AD3,9 fits 5m / EURO central adapter |
| 92 | 27473311 | PTFE-carbon core liner ID2,7-AD4,7 fits 3m / EURO central adapter |
| 92 | 27473411 | PTFE-carbon core liner ID2,7-AD4,7 fits 4m / EURO central adapter |
| 92 | 27473511 | PTFE-carbon core liner ID2,7-AD4,7 fits 5m / EURO central adapter |

Welding-torch MIG-MAG water-cooled

500A at 100% duty cycle (CO2) - 450A at 100% duty cycle (mixed gas)

| Art.-No. | | |
|----------|----------|----------------------------------------------------------------|
| 92 | 20406311 | PA-core liner black ID2,0-AD4,0 fits 3m / EURO central adapter |
| 92 | 20406411 | PA-core liner black ID2,0-AD4,0 fits 4m / EURO central adapter |
| 92 | 20406511 | PA-core liner black ID2,0-AD4,0 fits 5m / EURO central adapter |
| 92 | 23476311 | PA-core liner black ID2,3-AD4,7 fits 3m / EURO central adapter |
| 92 | 23476411 | PA-core liner black ID2,3-AD4,7 fits 4m / EURO central adapter |
| 92 | 23476511 | PA-core liner black ID2,3-AD4,7 fits 5m / EURO central adapter |
| 92 | 29476311 | PA-core liner black ID2,9-AD4,7 fits 3m / EURO central adapter |
| 92 | 29476411 | PA-core liner black ID2,9-AD4,7 fits 4m / EURO central adapter |
| 92 | 29476511 | PA-core liner black ID2,9-AD4,7 fits 5m / EURO central adapter |
| N.i. | 20405002 | Brass spiral liner blue L300mm IG fits AD3,9/4,0mm |
| N.i. | 20405001 | Brass spiral liner green L300mm IG fits AD4,7mm |
| 95 | 91905721 | Nipple fits spiral liner EURO central adapter AD 4,5mm |
| 96 | 91906111 | Nipple fits core liner EURO central adapter AD3,9/4,0mm |
| 96 | 91906121 | Nipple fits core liner EURO central adapter AD 4,7mm |
| 97 | 91906131 | O-ring ID3,5-W1,5 fits core liners |
| N.i. | 91906112 | Support tube, brass ID4,4 - AD5,0 - L200mm |

Torch MHS ERWIN-500 water-cooled

The factory standard gear is marked in red.



Holch Schweißbrenner GmbH
Bühlstraße 14
D-57080 Siegen

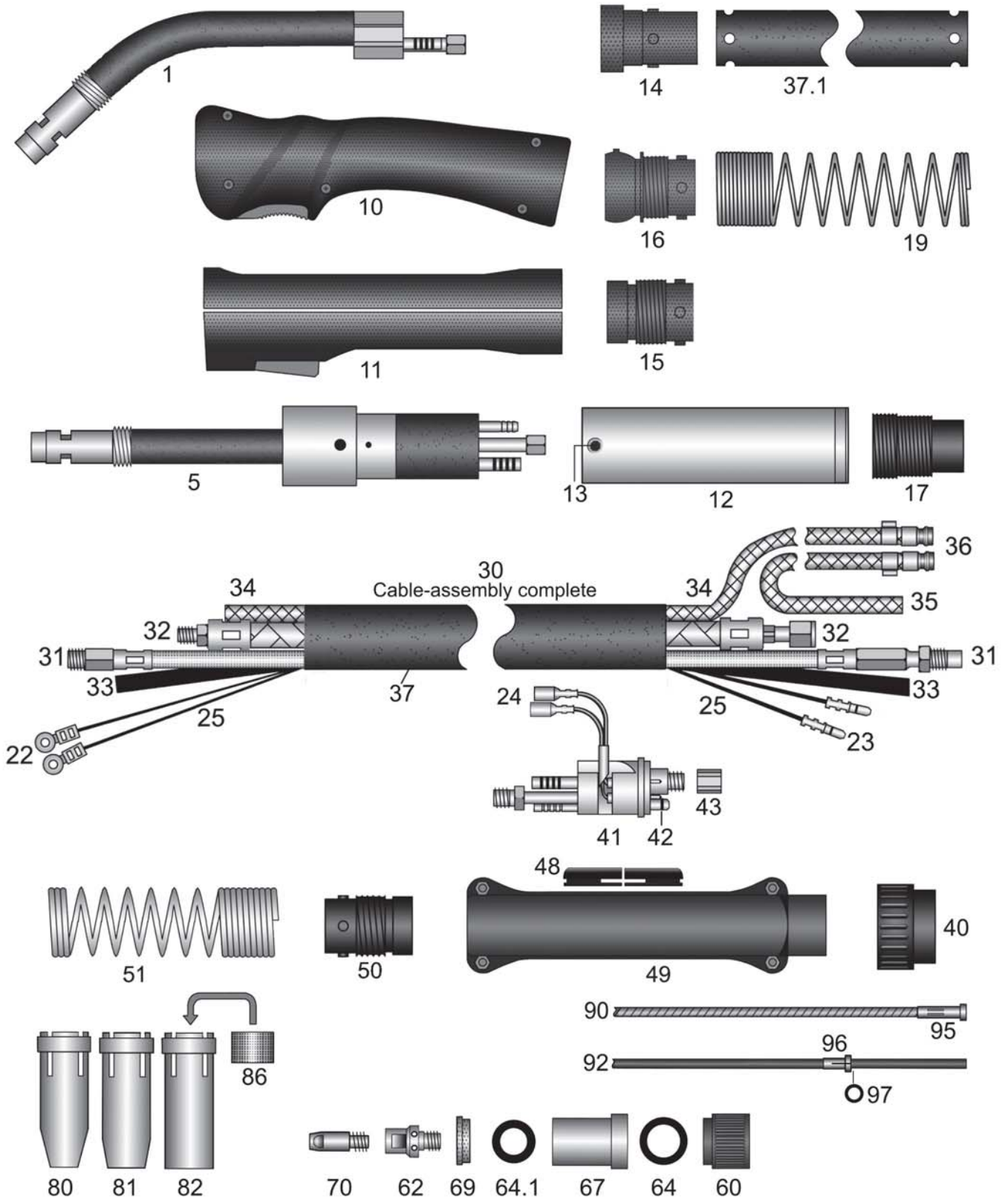
Phone: +49(0)271 387860-11
Telefax: +49(0)271 387860-29
E-Mail: info@holch-siegen.de
Web: www.holch-siegen.de



MHS ERWIN-500

water-cooled

500 Ampere at 100% duty cycle (CO₂) - 450 Ampere at 100% duty cycle (mixed gas)



Operating instruction

Screw laminated fabric-tension sleeve right-hand thread (60) down until it goes no further. Put large o-ring (64) against the fabric tension sleeve (60). Now mount the water-jacket (67) on the fabric tension sleeve (60) by pushing it over the o-ring (64). Put the small o-ring (64.1) into the water jacket (67) and put the insulating sleeve (69) on top. Now screw in the tip-holder (62) and tighten it firmly using an open end wrench. Now screw back the fabric tension sleeve a little to give some pressure to the o-rings underneath the water jacket. The o-rings are pressed against the water jacket sealing the water circulation between them. Finally screw in contact tip (70) and mount the gas nozzle (80, 81, 82) with insulating sleeve (86).

HSN 539

Welding-torch MIG-MAG water-cooled**500A at 100% duty cycle (CO₂) - 450A at 100% duty cycle (mixed gas)**

| Art.-No. | |
|------------------------------------------------------------------------------------------------------------------------------------------------------------------------------------------------------------------------------------|---------------------------------------------------------------------------|
| 95100311 | Torch MHS ERWIN-500 / 3m EURO central adapter |
| 95100411 | Torch MHS ERWIN-500 / 4m EURO central adapter |
| 95100511 | Torch MHS ERWIN-500 / 5m EURO central adapter |
| 95150311 | AUTomatic-torch MHS ERWIN-500 / 3m EURO central adapter |
| For torches without EURO central-adaptor the following prices apply. Please note that for some special machine side connections surcharges may arise, which you will find in the appendix "A" custom made products. | |
| 95100301 | Torch MHS ERWIN-500 / 3m |
| 95100401 | Torch MHS ERWIN-500 / 4m |
| 95100501 | Torch MHS ERWIN-500 / 5m |
| 95150301 | AUTomatic-torch MHS ERWIN-500 / 3m |
| Special lengths for hand- and AUTomatic-torches please notice appendix "B". | |
| Torches with flexible and highly heat resistant cable assemblies available for small surcharges! Please see appendix "B" | |
| pg000001 | Surcharge: Pistol-shape-handle / stabilizer |
| N.i. 91912453 | Heat protection shield for pistol handle, screws included |
| 29004602 | Surcharge: Torch body with custom bending |
| 91900102 | Adapter EURO central adapter fits power source with Dinse central adapter |
| Torch bodies and AUTomatic torch bodies with rubber insulation, very massive power conduit and max. cooling water conduit. | |
| 1 95191001 | Torch body |
| N.i. 30405001 | Surcharge: with brazen inner tube ID3-AD4mm for aluminium wire |
| 5 95191501 | AUTomatic-torch body |
| Handles complete with switch, screws and ball joint | |
| 10 91912536 | Ratio-handle 20mm with ball joint |
| 10 91912436 | Ratio-handle 20mm standard (without ball joint) |
| N.i. 91912438 | Ratio microswitch DC2 also fits RAUCH handle |
| N.i. 91912439 | Push button red for Ratio handle also fits RAUCH handle |
| N.i. 91912441 | Ratio spring fits button Ratio grip handle |
| 11 91912103 | Industry-handle 20mm with ball joint |
| 11 91912431 | Industry-handle 20mm standard (without ball joint) |
| o.A 91920411 | Switch-set fits industry-handle for 16/18/20mm (11 parts) |
| N.i. 91920702 | Screw M3x11,5mm fits Ratio/Industry/RAUCH handle and cable support |
| N.i. 91920703 | M3 mounting socket fits Ratio/Industry/RAUCH handle and cable support |
| 12 91912921 | AUT handle tube, brass-cladded AD38mm for AUT-torch standard |
| 13 91912911 | Holding screw M4x6mm fits AUT handle tube |
| 14 50191251 | Rubber cable-support RETRO |
| 15 91912701 | Spring socket pistol side fits handle without ball joint |
| 16 91912704 | Spring socket pistol side fits handle with ball joint |
| 17 91912711 | AUT spring socket |
| 19 91912501 | Cable support spring pistol-side fits water-cooled torches |
| N.i. 91912511 | AUT cable support spring (long design) |
| N.i. 91912521 | AUT suspension spring |

Welding-torch MIG-MAG water-cooled**500A at 100% duty cycle (CO₂) - 450A at 100% duty cycle (mixed gas)**

| Art.-No. | | |
|----------------------------------------------------------------------------------------------------------------------------------|----------|-----------------------------------------------------------------------------------------|
| N.i. | 91912531 | AUT carabiner |
| N.i. | 10089001 | Single stroke button (rubber) |
| 22 | 91902811 | Cable-plug fits industry-handle |
| 23 | 91902901 | Male connector cable-plug for machine side EURO central adapter |
| 24 | 91903001 | Female connector cable-plug fits machine side EURO central adapter |
| 25 | 91902502 | Meter control line flat, 4x0,5mm ² (available on reels 200m) |
| Spare cable-assemblies complete with cable support spring and fittings. Standard or with ball joint - please specify! | | |
| 30 | 09200312 | Spare cable assembly 3m / without EURO central adapter |
| 30 | 09200412 | Spare cable assembly 4m / without EURO central adapter |
| 30 | 09200512 | Spare cable assembly 5m / without EURO central adapter |
| Supply lines and thermo-hoses, superflexible and highly heat resistant please see appendix "C" and "D" | | |
| 31 | 0950a311 | Wire conduit flexible MHS / 3m EURO central adapter (flexible) |
| 31 | 0950a411 | Wire conduit flexible MHS / 4m EURO central adapter (flexible) |
| 31 | 0950a511 | Wire conduit flexible MHS / 5m EURO central adapter (flexible) |
| 32 | 09400311 | ST 80 PVC-NIT power/water cable MHS / 3m EURO central adapter |
| 32 | 09400411 | ST 80 PVC-NIT power/water cable MHS / 4m EURO central adapter |
| 32 | 09400511 | ST 80 PVC-NIT power/water cable MHS / 5m EURO central adapter |
| Supply lines for AUTomatic torches. | | |
| 31 | 0950d311 | AUT wire conduit MHS / 3m EURO central adapter white (hard) |
| 32 | 09400313 | HT 110 rubber fabric hose power/water cable MHS / 3m EURO central adapter |
| Reel goods: Prices are per meter and only applicable if a complete reel is purchased. | | |
| 33 | 41500001 | Meter ST 70 PVC hose ID4,0-W1,5mm black for gas (100m) |
| 34 | 50150001 | Meter ST 80 PVC-NIT fabric hose ID5,0-W1,5mm blue for water (100m) |
| 35 | 50151001 | Meter ST 80 PVC-NIT fabric hose ID5,0-W1,5mm red for water (100m) |
| 36 | 91901001 | Cooling liquid plug nipples EURO |
| N.i. | 91901008 | Closing cap blue fits cooling liquid plug nipples EURO |
| N.i. | 91901009 | Closing cap red fits cooling liquid plug nipples EURO |
| 37 | 25151001 | Meter rubberized fabric protective hose ID25-W1,5mm (40m) |
| 37.1 | 25151311 | Rubberized fabric protective hose ID25-W1,5mm perforated fits 3m / EURO central adapter |
| 37.1 | 25151411 | Rubberized fabric protective hose ID25-W1,5mm perforated fits 4m / EURO central adapter |
| 37.1 | 25151511 | Rubberized fabric protective hose ID25-W1,5mm perforated fits 5m / EURO central adapter |
| 40 | 91900701 | Terminal nut insulated fits EURO central adapter |
| 41 | 91900201 | Central adapter fixed contact-pins EURO central adapter |
| 41 | 91900206 | Central adapter spring contact-pins EURO central adapter |
| 42 | 91900801 | O-ring ID4-W1mm fits gas-nipple EURO central adapter |
| 43 | 91900901 | Coupling nut IT-M10x1 (rounded edges) fits EURO central adapter |
| 48 | 91901011 | Rubber-hose-fence fits cable support |
| 49 | 91900561 | Cable support machine side (screws included) EURO central adapter |
| N.i. | 91920702 | Screw M3x11,5mm fits Ratio/Industry/RAUCH handle and cable support |

Welding-torch MIG-MAG water-cooled

500A at 100% duty cycle (CO₂) - 450A at 100% duty cycle (mixed gas)

| Art.-No. | | |
|---------------------------------------------------------------------|----------|-----------------------------------------------------------------------|
| N.i. | 91920703 | M3 mounting socket fits Ratio/Industry/RAUCH handle and cable support |
| N.i. | 91900601 | Attachment screw M4x6mm fits cable support EURO central adapter |
| 50 | 91912801 | Spring-socket EURO central adapter |
| 51 | 91912601 | Cable support spring fits EURO / ESAB central adapter |
| 60 | 94291202 | Laminated fabric-tension sleeve with right hand thread |
| 62 | 92981011 | Contact tip holder IT-M8 AD17-L28mm |
| 64 | 94289083 | O-Ring ID17-W4mm (rear) |
| 64.1 | 94289084 | O-Ring ID14-W4mm (front) |
| 67 | 94291281 | Brass water-jacket nickel-plated |
| 69 | 94912602 | Insulating sleeve plugged |
| 70 | 83008001 | Contact tip M8-L30-AD10 0,8 |
| 70 | 83010001 | Contact tip M8-L30-AD10 1,0 |
| 70 | 83012001 | Contact tip M8-L30-AD10 1,2 |
| 70 | 83014001 | Contact tip M8-L30-AD10 1,4 |
| 70 | 83016001 | Contact tip M8-L30-AD10 1,6 |
| 70 | 83020001 | Contact tip M8-L30-AD10 2,0 |
| 70 | 83010401 | Contact tip M8-L30-AD10 CuCrZr 1,0 |
| 70 | 83012401 | Contact tip M8-L30-AD10 CuCrZr 1,2 |
| 70 | 83014401 | Contact tip M8-L30-AD10 CuCrZr 1,4 |
| 70 | 83016401 | Contact tip M8-L30-AD10 CuCrZr 1,6 |
| 70 | 83020401 | Contact tip M8-L30-AD10 CuCrZr 2,0 |
| 70 | 83008301 | Contact tip M8-L30-AD10 0,8 nickel-plated |
| 70 | 83010301 | Contact tip M8-L30-AD10 1,0 nickel-plated |
| 70 | 83012301 | Contact tip M8-L30-AD10 1,2 nickel-plated |
| 70 | 83014301 | Contact tip M8-L30-AD10 1,4 nickel-plated |
| 70 | 83016301 | Contact tip M8-L30-AD10 1,6 nickel-plated |
| 70 | 83008a01 | Contact tip M8-L30-D10 0,8-A for aluminium wire |
| 70 | 83010a01 | Contact tip M8-L30-D10 1,0-A for aluminium wire |
| 70 | 83012a01 | Contact tip M8-L30-D10 1,2-A for aluminium wire |
| 70 | 83018301 | Contact tip M8-L30-D10 1,6-A nickel-plated for aluminium wire |
| 80 | 95930021 | Gas nozzle conical-ID14mm (long cone) |
| 81 | 95930001 | Gas nozzle conical-ID17mm |
| 82 | 95933001 | Gas nozzle cylindric-21mm |
| 86 | 92912101 | Insulating fits gas nozzle |
| Spirals and liners also available in other sizes on inquiry! | | |
| 90 | 20450311 | Guide spiral-line ID2,0-AD4,5 fits 3m / EURO central adapter |
| 90 | 20450411 | Guide spiral-line ID2,0-AD4,5 fits 4m / EURO central adapter |
| 90 | 20450511 | Guide spiral-line ID2,0-AD4,5 fits 5m / EURO central adapter |
| 90 | 25450311 | Guide spiral-line ID2,5-AD4,5 fits 3m / EURO central adapter |
| 90 | 25450411 | Guide spiral-line ID2,5-AD4,5 fits 4m / EURO central adapter |
| 90 | 25450511 | Guide spiral-line ID2,5-AD4,5 fits 5m / EURO central adapter |
| 92 | 20393311 | PTFE-carbon core liner ID2,0-AD3,9 fits 3m / EURO central adapter |
| 92 | 20393411 | PTFE-carbon core liner ID2,0-AD3,9 fits 4m / EURO central adapter |
| 92 | 20393511 | PTFE-carbon core liner ID2,0-AD3,9 fits 5m / EURO central adapter |
| 92 | 27473311 | PTFE-carbon core liner ID2,7-AD4,7 fits 3m / EURO central adapter |

Welding-torch MIG-MAG water-cooled

500A at 100% duty cycle (CO₂) - 450A at 100% duty cycle (mixed gas)

| Art.-No. | | |
|----------|----------|-------------------------------------------------------------------|
| 92 | 27473411 | PTFE-carbon core liner ID2,7-AD4,7 fits 4m / EURO central adapter |
| 92 | 27473511 | PTFE-carbon core liner ID2,7-AD4,7 fits 5m / EURO central adapter |
| 92 | 20406311 | PA-core liner black ID2,0-AD4,0 fits 3m / EURO central adapter |
| 92 | 20406411 | PA-core liner black ID2,0-AD4,0 fits 4m / EURO central adapter |
| 92 | 20406511 | PA-core liner black ID2,0-AD4,0 fits 5m / EURO central adapter |
| 92 | 23476311 | PA-core liner black ID2,3-AD4,7 fits 3m / EURO central adapter |
| 92 | 23476411 | PA-core liner black ID2,3-AD4,7 fits 4m / EURO central adapter |
| 92 | 23476511 | PA-core liner black ID2,3-AD4,7 fits 5m / EURO central adapter |
| 92 | 29476311 | PA-core liner black ID2,9-AD4,7 fits 3m / EURO central adapter |
| 92 | 29476411 | PA-core liner black ID2,9-AD4,7 fits 4m / EURO central adapter |
| 92 | 29476511 | PA-core liner black ID2,9-AD4,7 fits 5m / EURO central adapter |
| N.i. | 20405002 | Brass spiral liner blue L300mm IG fits AD3,9/4,0mm |
| N.i. | 20405001 | Brass spiral liner green L300mm IG fits AD4,7mm |
| 95 | 91905721 | Nipple fits spiral liner EURO central adapter AD 4,5mm |
| 96 | 91906111 | Nipple fits core liner EURO central adapter AD3,9/4,0mm |
| 96 | 91906121 | Nipple fits core liner EURO central adapter AD 4,7mm |
| 97 | 91906131 | O-ring ID3,5-W1,5 fits core liners |
| N.i. | 91906112 | Support tube, brass ID4,4 - AD5,0 - L200mm |

Torch MHS ROCKET-1 water-cooled

The factory standard gear is marked in red.



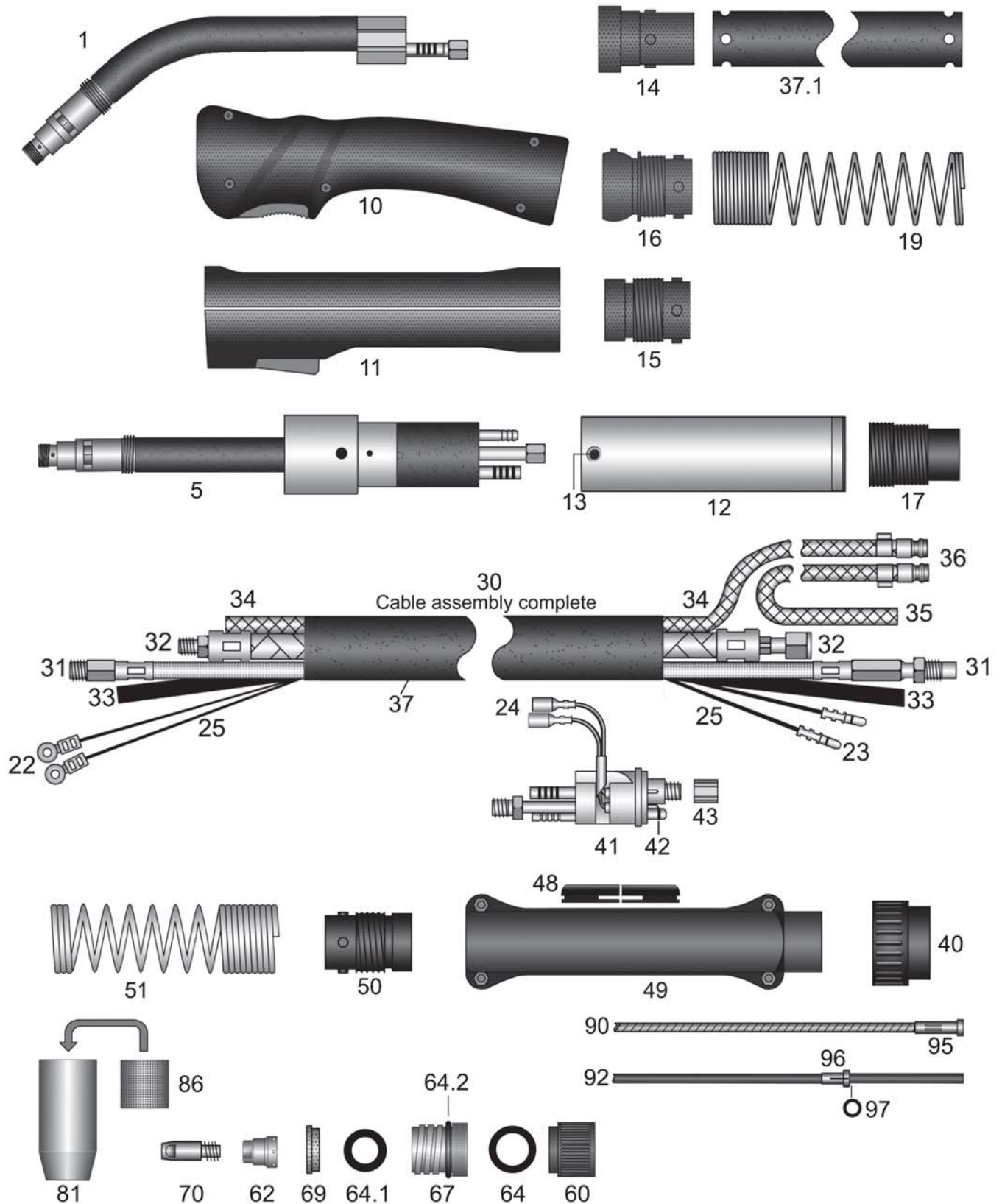
Holch Schweißbrenner GmbH
Bühlstraße 14
D-57080 Siegen

Phone: +49(0)271 387860-11
Telefax: +49(0)271 387860-29
E-Mail: info@holch-siegen.de
Web: www.holch-siegen.de



MHS ROCKET - 1 water-cooled

500 Ampere at 100% duty cycle (CO₂) - 450 Ampere at 100% duty cycle (mixed gas)



Operating instruction

Screw laminated fabric-tension sleeve right-hand thread (60) down until it goes no further. Put large o-ring (64) against the fabric tension sleeve (60). Now mount the water-jacket (67) on the fabric tension sleeve (60) by pushing it over the o-ring (64). Put the small o-ring (64.1) into the water-jacket (67) and put the insulating sleeve (69) on top. Now screw in the tip-holder (62) and tighten it firmly using an open end wrench. Now screw back the fabric tension sleeve a little to give some pressure to the o-rings underneath the water jacket. The o-rings are pressed against the water jacket sealing the water circulation between them. Finally screw in contact tip (70) and mount the gas nozzle (81) with insulating sleeve (86).

HSN 902

Welding-torch MIG-MAG water-cooled**500A at 100% duty cycle (CO2) - 450A at 100% duty cycle (mixed gas)**

| Art.-No. | |
|-----------------|--------------------------------------------------------|
| roc00311 | Torch MHS ROCKET-1 / 3m EURO central adapter |
| roc00411 | Torch MHS ROCKET-1 / 4m EURO central adapter |
| roc00511 | Torch MHS ROCKET-1 / 5m EURO central adapter |
| roc50311 | AUTomatic-torch MHS ROCKET-1 / 3m EURO central adapter |

**For torches without EURO central-adaptor the following prices apply.
Please note that for some special machine side connections surcharges may arise,
which you will find in the appendix "A" custom made products.**

| | |
|----------|-----------------------------------|
| roc00301 | Torch MHS ROCKET-1 / 3m |
| roc00401 | Torch MHS ROCKET-1 / 4m |
| roc00501 | Torch MHS ROCKET-1 / 5m |
| roc50301 | AUTomatic-torch MHS ROCKET-1 / 3m |

Special lengths for hand- and AUTomatic-torches please notice appendix "B".

Torches with flexible and highly heat resistant cable assemblies available for small surcharges! Please see appendix "B"

| | |
|---------------|-----------------------------------------------------------|
| pg000001 | Surcharge: Pistol-shape-handle / stabilizer |
| N.i. 91912453 | Heat protection shield for pistol handle, screws included |
| 29004602 | Surcharge: Torch body with custom bending |

| | |
|----------|---------------------------------------------------------------------------|
| 91900102 | Adapter EURO central adapter fits power source with Dinse central adapter |
|----------|---------------------------------------------------------------------------|

Torch bodies and AUTomatic torch bodies with rubber insulation, very massive power conduit and max. cooling water conduit.

| | | |
|------|----------|----------------------------------------------------------------|
| 1 | roc91001 | Torch body |
| N.i. | 30405001 | Surcharge: with brazen inner tube ID3-AD4mm for aluminium wire |
| 5 | roc91501 | AUTomatic-torch body |

Handles complete with switch, screws and ball joint

| | | |
|------|----------|-----------------------------------------------------------------------|
| 10 | 91912536 | Ratio-handle 20mm with ball joint |
| 10 | 91912436 | Ratio-handle 20mm standard (without ball joint) |
| N.i. | 91912438 | Ratio microswitch DC2 also fits RAUCH handle |
| N.i. | 91912439 | Push button red for Ratio handle also fits RAUCH handle |
| N.i. | 91912441 | Ratio spring fits button Ratio grip handle |
| 11 | 91912103 | Industry-handle 20mm with ball joint |
| 11 | 91912431 | Industry-handle 20mm standard (without ball joint) |
| o.A | 91920411 | Switch-set fits industry-handle for 16/18/20mm (11 parts) |
| N.i. | 91920702 | Screw M3x11,5mm fits Ratio/Industry/RAUCH handle and cable support |
| N.i. | 91920703 | M3 mounting socket fits Ratio/Industry/RAUCH handle and cable support |

| | | |
|----|----------|--------------------------------------------------------------|
| 12 | 91912921 | AUT handle tube, brass-cladded AD38mm for AUT-torch standard |
| 13 | 91912911 | Holding screw M4x6mm fits AUT handle tube |

| | | |
|------|----------|------------------------------------------------------------|
| 14 | 50191251 | Rubber cable-support RETRO |
| 15 | 91912701 | Spring socket pistol side fits handle without ball joint |
| 16 | 91912704 | Spring socket pistol side fits handle with ball joint |
| 17 | 91912711 | AUT spring socket |
| 19 | 91912501 | Cable support spring pistol-side fits water-cooled torches |
| N.i. | 91912511 | AUT cable support spring (long design) |
| N.i. | 91912521 | AUT suspension spring |

Welding-torch MIG-MAG water-cooled**500A at 100% duty cycle (CO₂) - 450A at 100% duty cycle (mixed gas)**

| Art.-No. | | |
|----------------------------------------------------------------------------------------------------------------------------------|----------|-----------------------------------------------------------------------------------------|
| N.i. | 91912531 | AUT carabiner |
| N.i. | 10089001 | Single stroke button (rubber) |
| 22 | 91902811 | Cable-plug fits industry-handle |
| 23 | 91902901 | Male connector cable-plug for machine side EURO central adapter |
| 24 | 91903001 | Female connector cable-plug fits machine side EURO central adapter |
| 25 | 91902502 | Meter control line flat, 4x0,5mm ² (available on reels 200m) |
| Spare cable-assemblies complete with cable support spring and fittings. Standard or with ball joint - please specify! | | |
| 30 | 09200312 | Spare cable assembly 3m / without EURO central adapter |
| 30 | 09200412 | Spare cable assembly 4m / without EURO central adapter |
| 30 | 09200512 | Spare cable assembly 5m / without EURO central adapter |
| Supply lines and thermo-hoses, superflexible and highly heat resistant please see appendix "C" and "D" | | |
| 31 | 0950a311 | Wire conduit flexible MHS / 3m EURO central adapter (flexible) |
| 31 | 0950a411 | Wire conduit flexible MHS / 4m EURO central adapter (flexible) |
| 31 | 0950a511 | Wire conduit flexible MHS / 5m EURO central adapter (flexible) |
| 32 | 09400311 | ST 80 PVC-NIT power/water cable MHS / 3m EURO central adapter |
| 32 | 09400411 | ST 80 PVC-NIT power/water cable MHS / 4m EURO central adapter |
| 32 | 09400511 | ST 80 PVC-NIT power/water cable MHS / 5m EURO central adapter |
| Supply lines for AUTomatic torches. | | |
| 31 | 0950d311 | AUT wire conduit MHS / 3m EURO central adapter white (hard) |
| 32 | 09400313 | HT 110 rubber fabric hose power/water cable MHS / 3m EURO central adapter |
| Reel goods: Prices are per meter and only applicable if a complete reel is purchased. | | |
| 33 | 41500001 | Meter ST 70 PVC hose ID4,0-W1,5mm black for gas (100m) |
| 34 | 50150001 | Meter ST 80 PVC-NIT fabric hose ID5,0-W1,5mm blue for water (100m) |
| 35 | 50151001 | Meter ST 80 PVC-NIT fabric hose ID5,0-W1,5mm red for water (100m) |
| 36 | 91901001 | Cooling liquid plug nipples EURO |
| N.i. | 91901008 | Closing cap blue fits cooling liquid plug nipples EURO |
| N.i. | 91901009 | Closing cap red fits cooling liquid plug nipples EURO |
| 37 | 25151001 | Meter rubberized fabric protective hose ID25-W1,5mm (40m) |
| 37.1 | 25151311 | Rubberized fabric protective hose ID25-W1,5mm perforated fits 3m / EURO central adapter |
| 37.1 | 25151411 | Rubberized fabric protective hose ID25-W1,5mm perforated fits 4m / EURO central adapter |
| 37.1 | 25151511 | Rubberized fabric protective hose ID25-W1,5mm perforated fits 5m / EURO central adapter |
| 40 | 91900701 | Terminal nut insulated fits EURO central adapter |
| 41 | 91900201 | Central adapter fixed contact-pins EURO central adapter |
| 41 | 91900206 | Central adapter spring contact-pins EURO central adapter |
| 42 | 91900801 | O-ring ID4-W1mm fits gas-nipple EURO central adapter |
| 43 | 91900901 | Coupling nut IT-M10x1 (rounded edges) fits EURO central adapter |
| 48 | 91901011 | Rubber-hose-fence fits cable support |
| 49 | 91900561 | Cable support machine side (screws included) EURO central adapter |
| N.i. | 91920702 | Screw M3x11,5mm fits Ratio/Industry/RAUCH handle and cable support |

Welding-torch MIG-MAG water-cooled**500A at 100% duty cycle (CO2) - 450A at 100% duty cycle (mixed gas)**

| Art.-No. | | |
|---------------------------------------------------------------------|----------|--------------------------------------------------------------------------------|
| N.i. | 91920703 | M3 mounting socket fits Ratio/Industry/RAUCH handle and cable support |
| N.i. | 91900601 | Attachment screw M4x6mm fits cable support EURO central adapter |
| 50 | 91912801 | Spring-socket EURO central adapter |
| 51 | 91912601 | Cable support spring fits EURO / ESAB central adapter |
| 60 | 94291202 | Laminated fabric-tension sleeve with right hand thread |
| 62 | roc98001 | Contact tip holder IT-M8 material: Copper |
| 64 | 94289083 | O-Ring ID17-W4mm (rear) |
| 64.1 | 94289084 | O-Ring ID14-W4mm (front) |
| 64.2 | 12089051 | O-ring ID22-W3mm (gas-nozzle rabbet) |
| 67 | roc91211 | Brazen water-coating, nickel-plated, complete with o-ring as gas-nozzle rabbet |
| 69 | roc91201 | Insulating sleeve plugged |
| 70 | 83008001 | Contact tip M8-L30-AD10 0,8 |
| 70 | 83010001 | Contact tip M8-L30-AD10 1,0 |
| 70 | 83012001 | Contact tip M8-L30-AD10 1,2 |
| 70 | 83014001 | Contact tip M8-L30-AD10 1,4 |
| 70 | 83016001 | Contact tip M8-L30-AD10 1,6 |
| 70 | 83020001 | Contact tip M8-L30-AD10 2,0 |
| 70 | 83010401 | Contact tip M8-L30-AD10 CuCrZr 1,0 |
| 70 | 83012401 | Contact tip M8-L30-AD10 CuCrZr 1,2 |
| 70 | 83014401 | Contact tip M8-L30-AD10 CuCrZr 1,4 |
| 70 | 83016401 | Contact tip M8-L30-AD10 CuCrZr 1,6 |
| 70 | 83020401 | Contact tip M8-L30-AD10 CuCrZr 2,0 |
| 70 | 83008301 | Contact tip M8-L30-AD10 0,8 nickel-plated |
| 70 | 83010301 | Contact tip M8-L30-AD10 1,0 nickel-plated |
| 70 | 83012301 | Contact tip M8-L30-AD10 1,2 nickel-plated |
| 70 | 83014301 | Contact tip M8-L30-AD10 1,4 nickel-plated |
| 70 | 83016301 | Contact tip M8-L30-AD10 1,6 nickel-plated |
| 70 | 83008a01 | Contact tip M8-L30-D10 0,8-A for aluminium wire |
| 70 | 83010a01 | Contact tip M8-L30-D10 1,0-A for aluminium wire |
| 70 | 83012a01 | Contact tip M8-L30-D10 1,2-A for aluminium wire |
| 70 | 83018301 | Contact tip M8-L30-D10 1,6-A nickel-plated for aluminium wire |
| 81 | roc93001 | Screwable gas nozzle conical-ID18mm with nozzle insulator |
| 86 | roc91202 | Insulating |
| Spirals and liners also available in other sizes on inquiry! | | |
| 90 | 20450311 | Guide spiral-line ID2,0-AD4,5 fits 3m / EURO central adapter |
| 90 | 20450411 | Guide spiral-line ID2,0-AD4,5 fits 4m / EURO central adapter |
| 90 | 20450511 | Guide spiral-line ID2,0-AD4,5 fits 5m / EURO central adapter |
| 90 | 25450311 | Guide spiral-line ID2,5-AD4,5 fits 3m / EURO central adapter |
| 90 | 25450411 | Guide spiral-line ID2,5-AD4,5 fits 4m / EURO central adapter |
| 90 | 25450511 | Guide spiral-line ID2,5-AD4,5 fits 5m / EURO central adapter |
| 92 | 20393311 | PTFE-carbon core liner ID2,0-AD3,9 fits 3m / EURO central adapter |
| 92 | 20393411 | PTFE-carbon core liner ID2,0-AD3,9 fits 4m / EURO central adapter |
| 92 | 20393511 | PTFE-carbon core liner ID2,0-AD3,9 fits 5m / EURO central adapter |
| 92 | 27473311 | PTFE-carbon core liner ID2,7-AD4,7 fits 3m / EURO central adapter |
| 92 | 27473411 | PTFE-carbon core liner ID2,7-AD4,7 fits 4m / EURO central adapter |

Welding-torch MIG-MAG water-cooled

500A at 100% duty cycle (CO₂) - 450A at 100% duty cycle (mixed gas)

| Art.-No. | | |
|----------|----------|-------------------------------------------------------------------|
| 92 | 27473511 | PTFE-carbon core liner ID2,7-AD4,7 fits 5m / EURO central adapter |
| 92 | 20406311 | PA-core liner black ID2,0-AD4,0 fits 3m / EURO central adapter |
| 92 | 20406411 | PA-core liner black ID2,0-AD4,0 fits 4m / EURO central adapter |
| 92 | 20406511 | PA-core liner black ID2,0-AD4,0 fits 5m / EURO central adapter |
| 92 | 23476311 | PA-core liner black ID2,3-AD4,7 fits 3m / EURO central adapter |
| 92 | 23476411 | PA-core liner black ID2,3-AD4,7 fits 4m / EURO central adapter |
| 92 | 23476511 | PA-core liner black ID2,3-AD4,7 fits 5m / EURO central adapter |
| 92 | 29476311 | PA-core liner black ID2,9-AD4,7 fits 3m / EURO central adapter |
| 92 | 29476411 | PA-core liner black ID2,9-AD4,7 fits 4m / EURO central adapter |
| 92 | 29476511 | PA-core liner black ID2,9-AD4,7 fits 5m / EURO central adapter |
| N.i. | 20405002 | Brass spiral liner blue L300mm IG fits AD3,9/4,0mm |
| N.i. | 20405001 | Brass spiral liner green L300mm IG fits AD4,7mm |
| 95 | 91905721 | Nipple fits spiral liner EURO central adapter AD 4,5mm |
| 96 | 91906111 | Nipple fits core liner EURO central adapter AD3,9/4,0mm |
| 96 | 91906121 | Nipple fits core liner EURO central adapter AD 4,7mm |
| 97 | 91906131 | O-ring ID3,5-W1,5 fits core liners |
| N.i. | 91906112 | Support tube, brass ID4,4 - AD5,0 - L200mm |

Torch

MHS 401-18-D water-cooled (1)

MHS 501-18-D water-cooled (2)

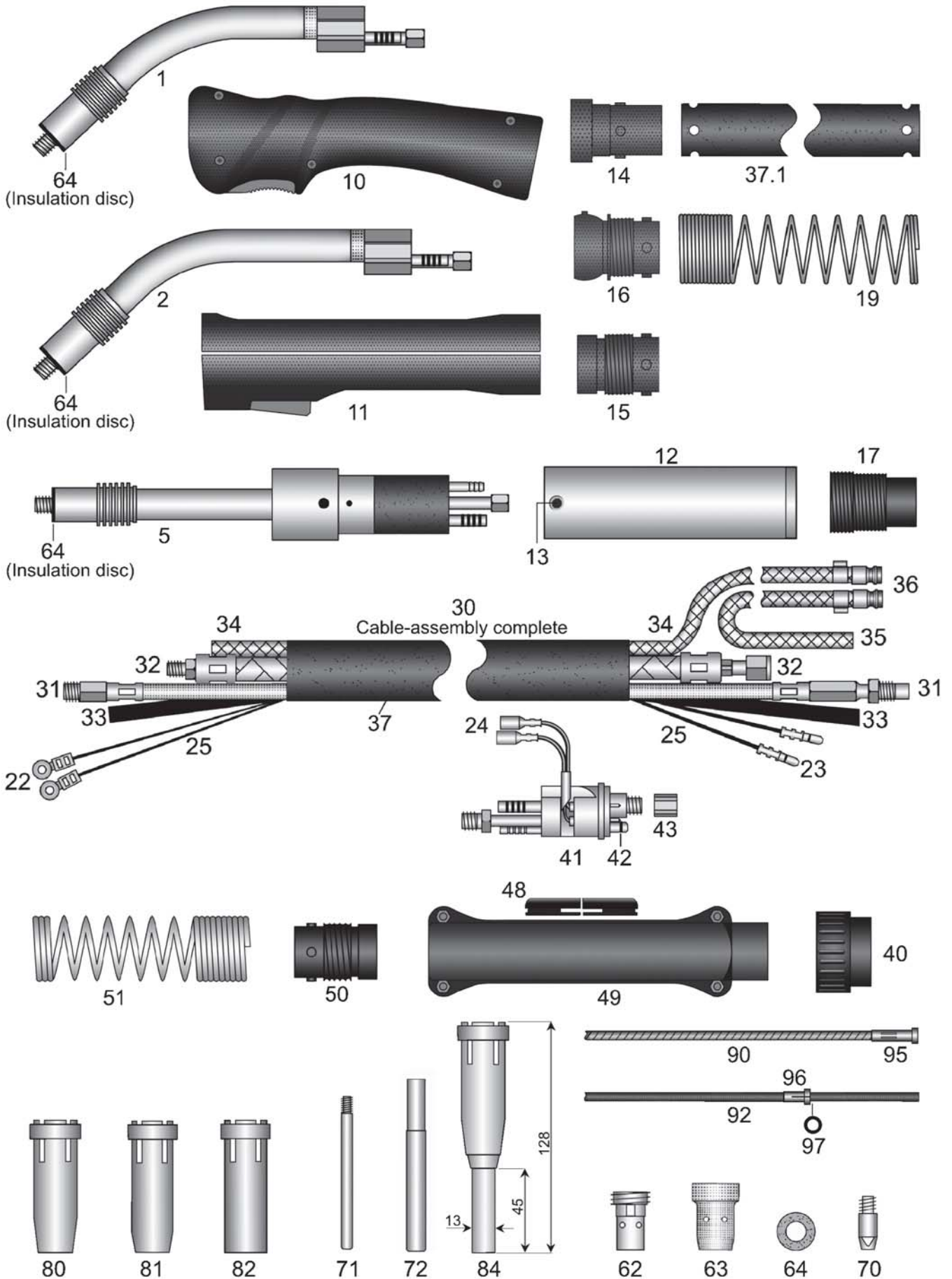
The factory standard gear is marked in red.

MHS 401-18-D water-cooled
MHS 501-18-D water-cooled

1)
2)



1) 400 Ampere at 100% duty cycle (CO₂) - 350 Ampere at 100% duty cycle (mixed gas)
2) 450 Ampere at 100% duty cycle (CO₂) - 400 Ampere at 100% duty cycle (mixed gas)



Welding-torch MIG-MAG water-cooled**(1) 400A at 100% duty cycle (CO₂) / (2) 450A at 100% duty cycle (CO₂)****Art.-No.****Spare parts as torch MHS 35-D gas-cooled**

| | |
|----------|----------------------------------------------|
| 40100311 | Torch MHS 401-18-D / 3m EURO central adapter |
| 40100411 | Torch MHS 401-18-D / 4m EURO central adapter |
| 40100511 | Torch MHS 401-18-D / 5m EURO central adapter |

| | |
|----------|--------------------------------------------------------|
| 50100311 | Torch MHS 501-18-D / 3m EURO central adapter |
| 50100411 | Torch MHS 501-18-D / 4m EURO central adapter |
| 50100511 | Torch MHS 501-18-D / 5m EURO central adapter |
| 50105311 | AUTomatic-torch MHS 501-18-D / 3m EURO central adapter |

**For torches without EURO central-adapter the following prices apply.
Please note that for some special machine side connections surcharges may arise,
which you will find in the appendix "A" custom made products.**

| | |
|----------|-------------------------|
| 40100301 | Torch MHS 401-18-D / 3m |
| 40100401 | Torch MHS 401-18-D / 4m |
| 40100501 | Torch MHS 401-18-D / 5m |

| | |
|----------|-----------------------------------|
| 50100301 | Torch MHS 501-18-D / 3m |
| 50100401 | Torch MHS 501-18-D / 4m |
| 50100501 | Torch MHS 501-18-D / 5m |
| 50105301 | AUTomatic-torch MHS 501-18-D / 3m |

Special lengths for hand- and AUTomatic-torches please notice appendix "B".

Torches with flexible and highly heat resistant cable assemblies available for small surcharges! Please see appendix "B"

| | |
|---------------|-----------------------------------------------------------|
| pg000001 | Surcharge: Pistol-shape-handle / stabilizer |
| N.i. 91912453 | Heat protection shield for pistol handle, screws included |
| 29004602 | Surcharge: Torch body with custom bending |

| | |
|----------|---------------------------------------------------------------------------|
| 91900102 | Adapter EURO central adapter fits power source with Dinse central adapter |
|----------|---------------------------------------------------------------------------|

All torch bodies and AUTomatic torch bodies with teflon insulation, nickel coated brazen outer tube with cooling ribs,max. cooling water conduits, very massive power conduit, complete with contact tip holder M8 and insulator disc.

| | | |
|------|----------|----------------------------------------------------------------|
| 1 | 40191001 | Torch body MHS 401-18-D with cooling ribs |
| 2 | 50191001 | Torch body MHS 501-18-D with cooling ribs |
| N.i. | 30405001 | Surcharge: with brazen inner tube ID3-AD4mm for aluminium wire |
| 5 | 50191501 | AUTomatic-torch body MHS 401/501-18-D |

Handles complete with switch, screws and ball joint

| | | |
|------|----------|--------------------------------------------------------------------|
| 10 | 91912535 | Ratio-handle 18mm with ball joint |
| 10 | 91912435 | Ratio-handle 18mm standard (without ball joint) |
| N.i. | 91912438 | Ratio microswitch DC2 also fits RAUCH handle |
| N.i. | 91912439 | Push button red for Ratio handle also fits RAUCH handle |
| N.i. | 91912441 | Ratio spring fits button Ratio grip handle |
| 11 | 91912102 | Industry-handle 18mm with ball joint |
| 11 | 91912331 | Industry-handle 18mm standard (without ball joint) |
| N.i. | 91920411 | Switch-set fits industry-handle for 16/18/20mm (11 parts) |
| N.i. | 91920702 | Screw M3x11,5mm fits Ratio/Industry/RAUCH handle and cable support |

Welding-torch MIG-MAG water-cooled**(1) 400A at 100% duty cycle (CO₂) / (2) 450A at 100% duty cycle (CO₂)**

| Art.-No. | | |
|----------------------------------------------------------------------------------------------------------------------------------|----------|-----------------------------------------------------------------------------------------|
| N.i. | 91920703 | M3 mounting socket fits Ratio/Industry/RAUCH handle and cable support |
| 12 | 91912921 | AUT handle tube, brass-cladded AD38mm for AUT-torch standard |
| 13 | 91912911 | Holding screw M4x6mm fits AUT handle tube |
| 14 | 50191251 | Rubber cable-support RETRO |
| 15 | 91912701 | Spring socket pistol side fits handle without ball joint |
| 16 | 91912704 | Spring socket pistol side fits handle with ball joint |
| 17 | 91912711 | AUT spring socket |
| 19 | 91912501 | Cable support spring pistol-side fits water-cooled torches |
| N.i. | 91912511 | AUT cable support spring (long design) |
| N.i. | 91912521 | AUT suspension spring |
| N.i. | 91912531 | AUT carabiner |
| N.i. | 10089001 | Single stroke button (rubber) |
| 22 | 91902811 | Cable-plug fits industry-handle |
| 23 | 91902901 | Male connector cable-plug for machine side EURO central adapter |
| 24 | 91903001 | Female connector cable-plug fits machine side EURO central adapter |
| 25 | 91902502 | Meter control line flat, 4x0,5mm ² (available on reels 200m) |
| Spare cable-assemblies complete with cable support spring and fittings. Standard or with ball joint - please specify! | | |
| 30 | 09200312 | Spare cable assembly 3m / without EURO central adapter |
| 30 | 09200412 | Spare cable assembly 4m / without EURO central adapter |
| 30 | 09200512 | Spare cable assembly 5m / without EURO central adapter |
| Supply lines and thermo-hoses, superflexible and highly heat resistant please see appendix "C" and "D" | | |
| 31 | 0950a311 | Wire conduit flexible MHS / 3m EURO central adapter (flexible) |
| 31 | 0950a411 | Wire conduit flexible MHS / 4m EURO central adapter (flexible) |
| 31 | 0950a511 | Wire conduit flexible MHS / 5m EURO central adapter (flexible) |
| 32 | 09400311 | ST 80 PVC-NIT power/water cable MHS / 3m EURO central adapter |
| 32 | 09400411 | ST 80 PVC-NIT power/water cable MHS / 4m EURO central adapter |
| 32 | 09400511 | ST 80 PVC-NIT power/water cable MHS / 5m EURO central adapter |
| Supply lines for AUTomatic torches. | | |
| 31 | 0950d311 | AUT wire conduit MHS / 3m EURO central adapter white (hard) |
| 32 | 09400313 | HT 110 rubber fabric hose power/water cable MHS / 3m EURO central adapter |
| Reel goods: Prices are per meter and only applicable if a complete reel is purchased. | | |
| 33 | 41500001 | Meter ST 70 PVC hose ID4,0-W1,5mm black for gas (100m) |
| 34 | 50150001 | Meter ST 80 PVC-NIT fabric hose ID5,0-W1,5mm blue for water (100m) |
| 35 | 50151001 | Meter ST 80 PVC-NIT fabric hose ID5,0-W1,5mm red for water (100m) |
| 36 | 91901001 | Cooling liquid plug nipples EURO |
| N.i. | 91901008 | Closing cap blue fits cooling liquid plug nipples EURO |
| N.i. | 91901009 | Closing cap red fits cooling liquid plug nipples EURO |
| 37 | 25151001 | Meter rubberized fabric protective hose ID25-W1,5mm (40m) |
| 37.1 | 25151311 | Rubberized fabric protective hose ID25-W1,5mm perforated fits 3m / EURO central adapter |
| 37.1 | 25151411 | Rubberized fabric protective hose ID25-W1,5mm perforated fits 4m / EURO central adapter |

Welding-torch MIG-MAG water-cooled

(1) 400A at 100% duty cycle (CO₂) / (2) 450A at 100% duty cycle (CO₂)

| Art.-No. | | |
|----------|----------|-----------------------------------------------------------------------------------------|
| 37.1 | 25151511 | Rubberized fabric protective hose ID25-W1,5mm perforated fits 5m / EURO central adapter |
| 40 | 91900701 | Terminal nut insulated fits EURO central adapter |
| 41 | 91900201 | Central adapter fixed contact-pins EURO central adapter |
| 41 | 91900206 | Central adapter spring contact-pins EURO central adapter |
| 42 | 91900801 | O-ring ID4-W1mm fits gas-nipple EURO central adapter |
| 43 | 91900901 | Coupling nut IT-M10x1 (rounded edges) fits EURO central adapter |
| 48 | 91901011 | Rubber-hose-fence fits cable support |
| 49 | 91900561 | Cable support machine side (screws included) EURO central adapter |
| N.i. | 91920702 | Screw M3x11,5mm fits Ratio/Industry/RAUCH handle and cable support |
| N.i. | 91920703 | M3 mounting socket fits Ratio/Industry/RAUCH handle and cable support |
| N.i. | 91900601 | Attachment screw M4x6mm fits cable support EURO central adapter |
| 50 | 91912801 | Spring-socket EURO central adapter |
| 51 | 91912601 | Cable support spring fits EURO / ESAB central adapter |
| 62 | 50198001 | Contact tip holder IT-M8 AG-M16x1-L25mm |
| 62 | 50198101 | Contact tip holder IT-M6 AG-M16x1-L25mm (for narrow-gap contact tip) |
| 63 | 50191201 | Gas diffusor Keripol white |
| 63 | 50191204 | HT-gasdiffusor black power |
| 63 | 50191203 | Ceramic-gas diffusor |
| 64 | 50191241 | Insulator |
| 70 | 83008001 | Contact tip M8-L30-AD10 0,8 |
| 70 | 83010001 | Contact tip M8-L30-AD10 1,0 |
| 70 | 83012001 | Contact tip M8-L30-AD10 1,2 |
| 70 | 83014001 | Contact tip M8-L30-AD10 1,4 |
| 70 | 83016001 | Contact tip M8-L30-AD10 1,6 |
| 70 | 83020001 | Contact tip M8-L30-AD10 2,0 |
| 70 | 83010401 | Contact tip M8-L30-AD10 CuCrZr 1,0 |
| 70 | 83012401 | Contact tip M8-L30-AD10 CuCrZr 1,2 |
| 70 | 83014401 | Contact tip M8-L30-AD10 CuCrZr 1,4 |
| 70 | 83016401 | Contact tip M8-L30-AD10 CuCrZr 1,6 |
| 70 | 83020401 | Contact tip M8-L30-AD10 CuCrZr 2,0 |
| 70 | 83008301 | Contact tip M8-L30-AD10 0,8 nickel-plated |
| 70 | 83010301 | Contact tip M8-L30-AD10 1,0 nickel-plated |
| 70 | 83012301 | Contact tip M8-L30-AD10 1,2 nickel-plated |
| 70 | 83014301 | Contact tip M8-L30-AD10 1,4 nickel-plated |
| 70 | 83016301 | Contact tip M8-L30-AD10 1,6 nickel-plated |
| 70 | 83008a01 | Contact tip M8-L30-D10 0,8-A for aluminium wire |
| 70 | 83010a01 | Contact tip M8-L30-D10 1,0-A for aluminium wire |
| 70 | 83012a01 | Contact tip M8-L30-D10 1,2-A for aluminium wire |
| 70 | 83018301 | Contact tip M8-L30-D10 1,6-A nickel-plated for aluminium wire |
| 71 | 68310101 | Narrow-gap contact tip M6-L83-AD6 0,8-1,0 nickel-plated |
| 71 | 68312101 | Narrow-gap contact tip M6-L83-AD6 1,2 nickel-plated |
| N.i. | 88551241 | Narrow gap-contact tip M8-L85,5-D10 turned down to 6mm 1,2 CuCrZr |
| 72 | 91921801 | Centering wrench for Narrow-gap contact tip M6-L83-D6 |
| 80 | 50193201 | Gas nozzle conical-ID14mm |
| 81 | 50193001 | Gas nozzle conical-ID16mm |

Welding-torch MIG-MAG water-cooled**(1) 400A at 100% duty cycle (CO₂) / (2) 450A at 100% duty cycle (CO₂)**

| Art.-No. | | |
|---------------------------------------------------------------------|----------|-------------------------------------------------------------------------------|
| 82 | 50193301 | Gas nozzle cylindric-ID19mm |
| 84 | 50193361 | Narrow-gap gas nozzle with cylinder ID11-AD13-L45mm (overall length 128mm) |
| N.i. | 50191243 | Narrow gap-insulation ring black power |
| N.i. | 50193362 | Narrow gap-gasnozzle lower part, nickel-coated with PTFE insulation ring |
| N.i. | 50193363 | PTFE-seal fits narrow gap-gasnozzle lower part |
| N.i. | 50193364 | cylinder (nickel plated) for narrow gap-gasnozzle ID11-AD14mm fits lower part |
| N.i. | 50193365 | cylinder (nickel plated) for narrow gap-gasnozzle ID12-AD15mm fits lower part |
| Spirals and liners also available in other sizes on inquiry! | | |
| 90 | 20450311 | Guide spiral-line ID2,0-AD4,5 fits 3m / EURO central adapter |
| 90 | 20450411 | Guide spiral-line ID2,0-AD4,5 fits 4m / EURO central adapter |
| 90 | 20450511 | Guide spiral-line ID2,0-AD4,5 fits 5m / EURO central adapter |
| 90 | 25450311 | Guide spiral-line ID2,5-AD4,5 fits 3m / EURO central adapter |
| 90 | 25450411 | Guide spiral-line ID2,5-AD4,5 fits 4m / EURO central adapter |
| 90 | 25450511 | Guide spiral-line ID2,5-AD4,5 fits 5m / EURO central adapter |
| 92 | 20393311 | PTFE-carbon core liner ID2,0-AD3,9 fits 3m / EURO central adapter |
| 92 | 20393411 | PTFE-carbon core liner ID2,0-AD3,9 fits 4m / EURO central adapter |
| 92 | 20393511 | PTFE-carbon core liner ID2,0-AD3,9 fits 5m / EURO central adapter |
| 92 | 27473311 | PTFE-carbon core liner ID2,7-AD4,7 fits 3m / EURO central adapter |
| 92 | 27473411 | PTFE-carbon core liner ID2,7-AD4,7 fits 4m / EURO central adapter |
| 92 | 27473511 | PTFE-carbon core liner ID2,7-AD4,7 fits 5m / EURO central adapter |
| 92 | 20406311 | PA-core liner black ID2,0-AD4,0 fits 3m / EURO central adapter |
| 92 | 20406411 | PA-core liner black ID2,0-AD4,0 fits 4m / EURO central adapter |
| 92 | 20406511 | PA-core liner black ID2,0-AD4,0 fits 5m / EURO central adapter |
| 92 | 23476311 | PA-core liner black ID2,3-AD4,7 fits 3m / EURO central adapter |
| 92 | 23476411 | PA-core liner black ID2,3-AD4,7 fits 4m / EURO central adapter |
| 92 | 23476511 | PA-core liner black ID2,3-AD4,7 fits 5m / EURO central adapter |
| 92 | 29476311 | PA-core liner black ID2,9-AD4,7 fits 3m / EURO central adapter |
| 92 | 29476411 | PA-core liner black ID2,9-AD4,7 fits 4m / EURO central adapter |
| 92 | 29476511 | PA-core liner black ID2,9-AD4,7 fits 5m / EURO central adapter |
| N.i. | 20405002 | Brass spiral liner blue L300mm IG fits AD3,9/4,0mm |
| N.i. | 20405001 | Brass spiral liner green L300mm IG fits AD4,7mm |
| 95 | 91905721 | Nipple fits spiral liner EURO central adapter AD 4,5mm |
| 96 | 91906111 | Nipple fits core liner EURO central adapter AD3,9/4,0mm |
| 96 | 91906121 | Nipple fits core liner EURO central adapter AD 4,7mm |
| 97 | 91906131 | O-ring ID3,5-W1,5 fits core liners |
| N.i. | 91906112 | Support tube, brass ID4,4 - AD5,0 - L200mm |

Torch MHS 501-SUPER water-cooled

The factory standard gear is marked in red.



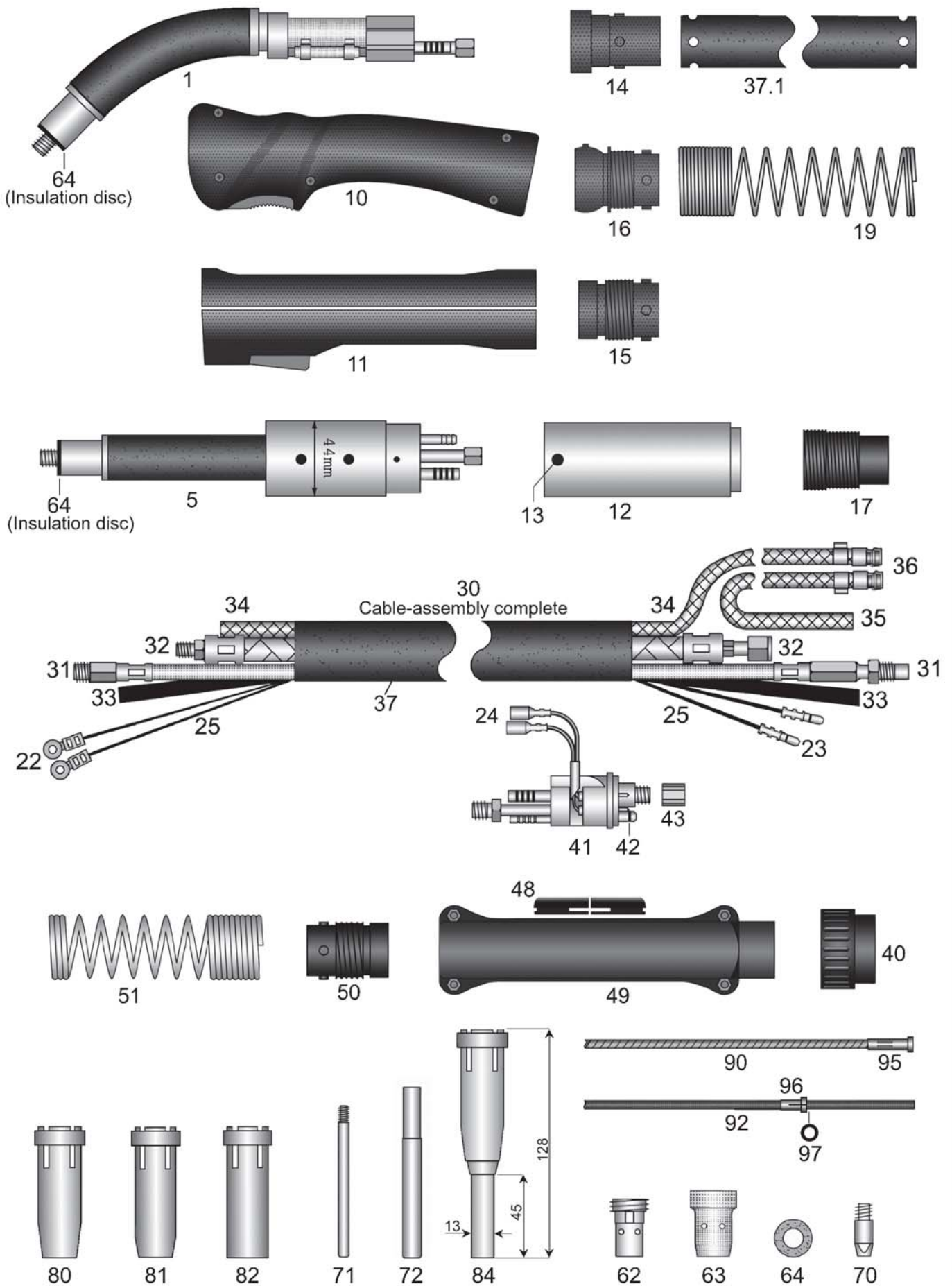
Holch Schweißbrenner GmbH
Bühlstraße 14
D-57080 Siegen

Phone: +49(0)271 387860-11
Telefax: +49(0)271 387860-29
E-Mail: info@holch-siegen.de
Web: www.holch-siegen.de



MHS 501-SUPER with Cascade cooling system

500 Ampere at 100% duty cycle (CO₂) - 450 Ampere at 100% duty cycle (mixed gas)



HSN 136

Welding-torch MIG-MAG water-cooled

500A at 100% duty cycle (CO2) - 450A at 100% duty cycle (mixed gas)

Art.-No.**Spare parts as torch MHS 35-D gas-cooled**

| | |
|----------|---------------------------------------------------------|
| 50120311 | Torch MHS 501-SUPER / 3m EURO central adapter |
| 50120411 | Torch MHS 501-SUPER / 4m EURO central adapter |
| 50120511 | Torch MHS 501-SUPER / 5m EURO central adapter |
| 50125311 | AUTomatic-torch MHS 501-SUPER / 3m EURO central adapter |

**For torches without EURO central-adaptor the following prices apply.
Please note that for some special machine side connections surcharges may arise,
which you will find in the appendix "A" custom made products.**

| | |
|----------|------------------------------------|
| 50120301 | Torch MHS 501-SUPER / 3m |
| 50120401 | Torch MHS 501-SUPER / 4m |
| 50120501 | Torch MHS 501-SUPER / 5m |
| 50125301 | AUTomatic-torch MHS 501-SUPER / 3m |

Special lengths for hand- and AUTomatic-torches please notice appendix "B".

Torches with flexible and highly heat resistant cable assemblies available for small surcharges! Please see appendix "B"

| | |
|----------|---------------------------------------------------------------------------|
| 29004602 | Surcharge: Torch body with custom bending |
| 91900102 | Adapter EURO central adapter fits power source with Dinse central adapter |

Torch bodies and AUTomatic torch bodies with 2 circuit cooling (Cascade cooling system), complete with contact tip holde M8 and insulator disc.

| | | |
|------|----------|----------------------------------------------------------------|
| 1 | 50129101 | Torch body MHS 501-SUPER |
| N.i. | 30405001 | Surcharge: with brazen inner tube ID3-AD4mm for aluminium wire |
| 5 | 50129151 | AUTomatic-torch body MHS 501-SUPER |

Handles complete with switch, screws and ball joint

| | | |
|------|----------|-----------------------------------------------------------------------|
| 10 | 91912537 | Ratio-handle 21mm with ball joint |
| 10 | 91912437 | Ratio-handle 21mm standard (without ball joint) |
| N.i. | 91912438 | Ratio microswitch DC2 also fits RAUCH handle |
| N.i. | 91912439 | Push button red for Ratio handle also fits RAUCH handle |
| N.i. | 91912441 | Ratio spring fits button Ratio grip handle |
| 11 | 91912104 | Industry-handle 21mm with ball joint |
| 11 | 91912433 | Industry-handle 21mm standard (without ball joint) |
| o.A | 91920412 | Switch-set fits industry-handle for 21mm (9 parts) |
| N.i. | 91920702 | Screw M3x11,5mm fits Ratio/Industry/RAUCH handle and cable support |
| N.i. | 91920703 | M3 mounting socket fits Ratio/Industry/RAUCH handle and cable support |

| | | |
|----|----------|----------------------------------------------|
| 12 | 91912923 | AUT handle tube, aluminium-cladded AD44mm |
| 13 | 91912912 | Counter sunk bolt M4x6mm for AUT handle tube |

| | | |
|------|----------|------------------------------------------------------------|
| 14 | 50191251 | Rubber cable-support RETRO |
| 15 | 91912701 | Spring socket pistol side fits handle without ball joint |
| 16 | 91912704 | Spring socket pistol side fits handle with ball joint |
| 17 | 91912711 | AUT spring socket |
| 19 | 91912501 | Cable support spring pistol-side fits water-cooled torches |
| o.A | 91912511 | AUT cable support spring (long design) |
| N.i. | 91912521 | AUT suspension spring |
| N.i. | 91912531 | AUT carabiner |

Welding-torch MIG-MAG water-cooled**500A at 100% duty cycle (CO₂) - 450A at 100% duty cycle (mixed gas)**

| Art.-No. | | |
|----------------------------------------------------------------------------------------------------------------------------------|----------|-----------------------------------------------------------------------------------------|
| N.i. | 10089001 | Single stroke button (rubber) |
| 22 | 91902811 | Cable-plug fits industry-handle |
| 23 | 91902901 | Male connector cable-plug for machine side EURO central adapter |
| 24 | 91903001 | Female connector cable-plug fits machine side EURO central adapter |
| 25 | 91902502 | Meter control line flat, 4x0,5mm ² (available on reels 200m) |
| Spare cable-assemblies complete with cable support spring and fittings. Standard or with ball joint - please specify! | | |
| 30 | 09200312 | Spare cable assembly 3m / without EURO central adapter |
| 30 | 09200412 | Spare cable assembly 4m / without EURO central adapter |
| 30 | 09200512 | Spare cable assembly 5m / without EURO central adapter |
| Supply lines and thermo-hoses, superflexible and highly heat resistant please see appendix "C" and "D" | | |
| 31 | 0950a311 | Wire conduit flexible MHS / 3m EURO central adapter (flexible) |
| 31 | 0950a411 | Wire conduit flexible MHS / 4m EURO central adapter (flexible) |
| 31 | 0950a511 | Wire conduit flexible MHS / 5m EURO central adapter (flexible) |
| 32 | 09400311 | ST 80 PVC-NIT power/water cable MHS / 3m EURO central adapter |
| 32 | 09400411 | ST 80 PVC-NIT power/water cable MHS / 4m EURO central adapter |
| 32 | 09400511 | ST 80 PVC-NIT power/water cable MHS / 5m EURO central adapter |
| Supply lines for AUTomatic torches. | | |
| 31 | 0950d311 | AUT wire conduit MHS / 3m EURO central adapter white (hard) |
| 32 | 09400313 | HT 110 rubber fabric hose power/water cable MHS / 3m EURO central adapter |
| Reel goods: Prices are per meter and only applicable if a complete reel is purchased. | | |
| 33 | 41500001 | Meter ST 70 PVC hose ID4,0-W1,5mm black for gas (100m) |
| 34 | 50150001 | Meter ST 80 PVC-NIT fabric hose ID5,0-W1,5mm blue for water (100m) |
| 35 | 50151001 | Meter ST 80 PVC-NIT fabric hose ID5,0-W1,5mm red for water (100m) |
| 36 | 91901001 | Cooling liquid plug nipples EURO |
| N.i. | 91901008 | Closing cap blue fits cooling liquid plug nipples EURO |
| N.i. | 91901009 | Closing cap red fits cooling liquid plug nipples EURO |
| 37 | 25151001 | Meter rubberized fabric protective hose ID25-W1,5mm (40m) |
| 37.1 | 25151311 | Rubberized fabric protective hose ID25-W1,5mm perforated fits 3m / EURO central adapter |
| 37.1 | 25151411 | Rubberized fabric protective hose ID25-W1,5mm perforated fits 4m / EURO central adapter |
| 37.1 | 25151511 | Rubberized fabric protective hose ID25-W1,5mm perforated fits 5m / EURO central adapter |
| 40 | 91900701 | Terminal nut insulated fits EURO central adapter |
| 41 | 91900201 | Central adapter fixed contact-pins EURO central adapter |
| 41 | 91900206 | Central adapter spring contact-pins EURO central adapter |
| 42 | 91900801 | O-ring ID4-W1mm fits gas-nipple EURO central adapter |
| 43 | 91900901 | Coupling nut IT-M10x1 (rounded edges) fits EURO central adapter |
| 48 | 91901011 | Rubber-hose-fence fits cable support |
| 49 | 91900561 | Cable support machine side (screws included) EURO central adapter |
| N.i. | 91920702 | Screw M3x11,5mm fits Ratio/Industry/RAUCH handle and cable support |
| N.i. | 91920703 | M3 mounting socket fits Ratio/Industry/RAUCH handle and cable support |

Welding-torch MIG-MAG water-cooled

500A at 100% duty cycle (CO₂) - 450A at 100% duty cycle (mixed gas)

| Art.-No. | | |
|---------------------------------------------------------------------|----------|-------------------------------------------------------------------------------|
| N.i. | 91900601 | Attachment screw M4x6mm fits cable support EURO central adapter |
| 50 | 91912801 | Spring-socket EURO central adapter |
| 51 | 91912601 | Cable support spring fits EURO / ESAB central adapter |
| 62 | 50198001 | Contact tip holder IT-M8 AG-M16x1-L25mm |
| 62 | 50198101 | Contact tip holder IT-M6 AG-M16x1-L25mm (for narrow-gap contact tip) |
| 63 | 50191201 | Gas diffusor Keripol white |
| 63 | 50191204 | HT-gasdiffusor black power |
| 63 | 50191203 | Ceramic-gas diffusor |
| 64 | 50191241 | Insulator |
| 70 | 83008001 | Contact tip M8-L30-AD10 0,8 |
| 70 | 83010001 | Contact tip M8-L30-AD10 1,0 |
| 70 | 83012001 | Contact tip M8-L30-AD10 1,2 |
| 70 | 83014001 | Contact tip M8-L30-AD10 1,4 |
| 70 | 83016001 | Contact tip M8-L30-AD10 1,6 |
| 70 | 83020001 | Contact tip M8-L30-AD10 2,0 |
| 70 | 83010401 | Contact tip M8-L30-AD10 CuCrZr 1,0 |
| 70 | 83012401 | Contact tip M8-L30-AD10 CuCrZr 1,2 |
| 70 | 83014401 | Contact tip M8-L30-AD10 CuCrZr 1,4 |
| 70 | 83016401 | Contact tip M8-L30-AD10 CuCrZr 1,6 |
| 70 | 83020401 | Contact tip M8-L30-AD10 CuCrZr 2,0 |
| 70 | 83008301 | Contact tip M8-L30-AD10 0,8 nickel-plated |
| 70 | 83010301 | Contact tip M8-L30-AD10 1,0 nickel-plated |
| 70 | 83012301 | Contact tip M8-L30-AD10 1,2 nickel-plated |
| 70 | 83014301 | Contact tip M8-L30-AD10 1,4 nickel-plated |
| 70 | 83016301 | Contact tip M8-L30-AD10 1,6 nickel-plated |
| 70 | 83008a01 | Contact tip M8-L30-D10 0,8-A for aluminium wire |
| 70 | 83010a01 | Contact tip M8-L30-D10 1,0-A for aluminium wire |
| 70 | 83012a01 | Contact tip M8-L30-D10 1,2-A for aluminium wire |
| 70 | 83018301 | Contact tip M8-L30-D10 1,6-A nickel-plated for aluminium wire |
| 71 | 68310101 | Narrow-gap contact tip M6-L83-AD6 0,8-1,0 nickel-plated |
| 71 | 68312101 | Narrow-gap contact tip M6-L83-AD6 1,2 nickel-plated |
| N.i. | 88551241 | Narrow gap-contact tip M8-L85,5-D10 turned down to 6mm 1,2 CuCrZr |
| 72 | 91921801 | Centering wrench for Narrow-gap contact tip M6-L83-D6 |
| 80 | 50193201 | Gas nozzle conical-ID14mm |
| 81 | 50193001 | Gas nozzle conical-ID16mm |
| 82 | 50193301 | Gas nozzle cylindric-ID19mm |
| 84 | 50193361 | Narrow-gap gas nozzle with cylinder ID11-AD13-L45mm (overall length 128mm) |
| N.i. | 50191243 | Narrow gap-insulation ring black power |
| N.i. | 50193362 | Narrow gap-gasnozzle lower part, nickel-coated with PTFE insulation ring |
| N.i. | 50193363 | PTFE-seal fits narrow gap-gasnozzle lower part |
| N.i. | 50193364 | cylinder (nickel plated) for narrow gap-gasnozzle ID11-AD14mm fits lower part |
| N.i. | 50193365 | cylinder (nickel plated) for narrow gap-gasnozzle ID12-AD15mm fits lower part |
| Spirals and liners also available in other sizes on inquiry! | | |
| 90 | 20450311 | Guide spiral-line ID2,0-AD4,5 fits 3m / EURO central adapter |
| 90 | 20450411 | Guide spiral-line ID2,0-AD4,5 fits 4m / EURO central adapter |

Welding-torch MIG-MAG water-cooled

500A at 100% duty cycle (CO₂) - 450A at 100% duty cycle (mixed gas)

| Art.-No. | | |
|----------|----------|-------------------------------------------------------------------|
| 90 | 20450511 | Guide spiral-line ID2,0-AD4,5 fits 5m / EURO central adapter |
| 90 | 25450311 | Guide spiral-line ID2,5-AD4,5 fits 3m / EURO central adapter |
| 90 | 25450411 | Guide spiral-line ID2,5-AD4,5 fits 4m / EURO central adapter |
| 90 | 25450511 | Guide spiral-line ID2,5-AD4,5 fits 5m / EURO central adapter |
| 92 | 20393311 | PTFE-carbon core liner ID2,0-AD3,9 fits 3m / EURO central adapter |
| 92 | 20393411 | PTFE-carbon core liner ID2,0-AD3,9 fits 4m / EURO central adapter |
| 92 | 20393511 | PTFE-carbon core liner ID2,0-AD3,9 fits 5m / EURO central adapter |
| 92 | 27473311 | PTFE-carbon core liner ID2,7-AD4,7 fits 3m / EURO central adapter |
| 92 | 27473411 | PTFE-carbon core liner ID2,7-AD4,7 fits 4m / EURO central adapter |
| 92 | 27473511 | PTFE-carbon core liner ID2,7-AD4,7 fits 5m / EURO central adapter |
| 92 | 20406311 | PA-core liner black ID2,0-AD4,0 fits 3m / EURO central adapter |
| 92 | 20406411 | PA-core liner black ID2,0-AD4,0 fits 4m / EURO central adapter |
| 92 | 20406511 | PA-core liner black ID2,0-AD4,0 fits 5m / EURO central adapter |
| 92 | 23476311 | PA-core liner black ID2,3-AD4,7 fits 3m / EURO central adapter |
| 92 | 23476411 | PA-core liner black ID2,3-AD4,7 fits 4m / EURO central adapter |
| 92 | 23476511 | PA-core liner black ID2,3-AD4,7 fits 5m / EURO central adapter |
| 92 | 29476311 | PA-core liner black ID2,9-AD4,7 fits 3m / EURO central adapter |
| 92 | 29476411 | PA-core liner black ID2,9-AD4,7 fits 4m / EURO central adapter |
| 92 | 29476511 | PA-core liner black ID2,9-AD4,7 fits 5m / EURO central adapter |
| N.i. | 20405002 | Brass spiral liner blue L300mm IG fits AD3,9/4,0mm |
| N.i. | 20405001 | Brass spiral liner green L300mm IG fits AD4,7mm |
| 95 | 91905721 | Nipple fits spiral liner EURO central adapter AD 4,5mm |
| 96 | 91906111 | Nipple fits core liner EURO central adapter AD3,9/4,0mm |
| 96 | 91906121 | Nipple fits core liner EURO central adapter AD 4,7mm |
| 97 | 91906131 | O-ring ID3,5-W1,5 fits core liners |
| N.i. | 91906112 | Support tube, brass ID4,4 - AD5,0 - L200mm |

Torch MHS KONSUL-600 water-cooled

The factory standard gear is marked in red.



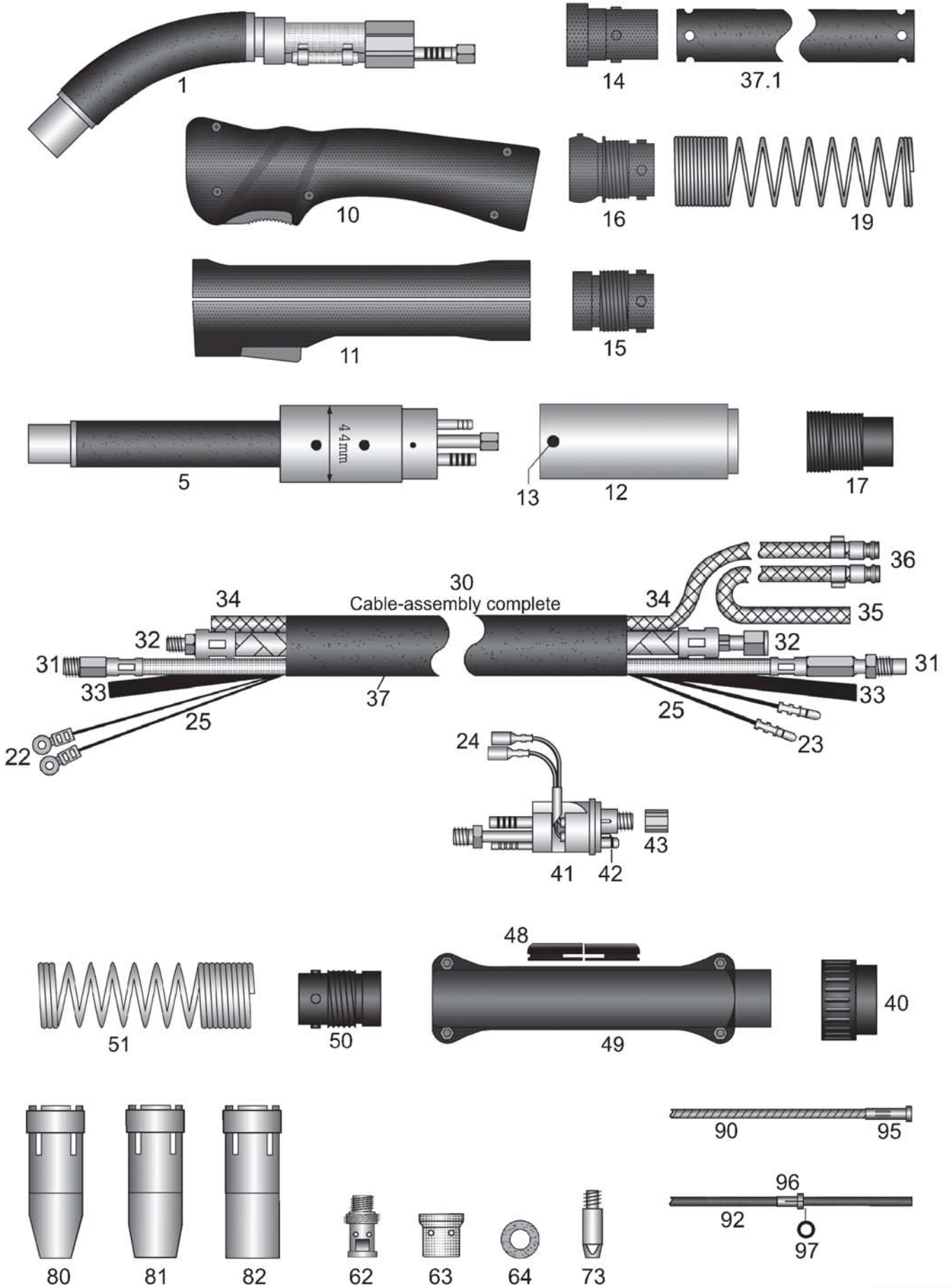
Holch Schweißbrenner GmbH
Bühlstraße 14
D-57080 Siegen

Phone: +49(0)271 387860-11
Telefax: +49(0)271 387860-29
E-Mail: info@holch-siegen.de
Web: www.holch-siegen.de



MHS KONSUL-600 with Cascade cooling system

600 Ampere at 100% duty cycle (CO₂) - 550 Ampere at 100% duty cycle (mixed gas)



HSN 138

Welding-torch MIG-MAG water-cooled**600A at 100% duty cycle (CO₂) - 550A at 100% duty cycle (mixed gas)****Art.-No.****Spare parts as torch MHS 60 gas-cooled**

| | |
|----------|----------------------------------------------------------|
| 60000311 | Torch MHS KONSUL-600 / 3m EURO central adapter |
| 60000411 | Torch MHS KONSUL-600 / 4m EURO central adapter |
| 60000511 | Torch MHS KONSUL-600 / 5m EURO central adapter |
| 60050311 | AUTomatic-torch MHS KONSUL-600 / 3m EURO central adapter |

**For torches without EURO central-adaptor the following prices apply.
Please note that for some special machine side connections surcharges may arise,
which you will find in the appendix "A" custom made products.**

| | |
|----------|-------------------------------------|
| 60000301 | Torch MHS KONSUL-600 / 3m |
| 60000401 | Torch MHS KONSUL-600 / 4m |
| 60000501 | Torch MHS KONSUL-600 / 5m |
| 60050301 | AUTomatic-torch MHS KONSUL-600 / 3m |

Special lengths for hand- and AUTomatic-torches please notice appendix "B".

Torches with flexible and highly heat resistant cable assemblies available for small surcharges! Please see appendix "B"

| | |
|----------|---------------------------------------------------------------------------|
| 29004602 | Surcharge: Torch body with custom bending |
| 91900102 | Adapter EURO central adapter fits power source with Dinse central adapter |

Torch bodies and AUTomatic torch bodies with 2 circuit cooling (Cascade cooling system), complete with copper contact tip holder M8 and insulator disc.

| | | |
|------|----------|----------------------------------------------------------------|
| 1 | 60091001 | Torch body |
| N.i. | 30405001 | Surcharge: with brazen inner tube ID3-AD4mm for aluminium wire |
| 5 | 60091501 | AUTomatic-torch body |

Handles complete with switch, screws and ball joint

| | | |
|------|----------|-----------------------------------------------------------------------|
| 10 | 91912537 | Ratio-handle 21mm with ball joint |
| 10 | 91912437 | Ratio-handle 21mm standard (without ball joint) |
| N.i. | 91912438 | Ratio microswitch DC2 also fits RAUCH handle |
| N.i. | 91912439 | Push button red for Ratio handle also fits RAUCH handle |
| N.i. | 91912441 | Ratio spring fits button Ratio grip handle |
| 11 | 91912104 | Industry-handle 21mm with ball joint |
| 11 | 91912433 | Industry-handle 21mm standard (without ball joint) |
| o.A | 91920412 | Switch-set fits industry-handle for 21mm (9 parts) |
| N.i. | 91920702 | Screw M3x11,5mm fits Ratio/Industry/RAUCH handle and cable support |
| N.i. | 91920703 | M3 mounting socket fits Ratio/Industry/RAUCH handle and cable support |

| | | |
|----|----------|----------------------------------------------|
| 12 | 91912923 | AUT handle tube, aluminium-cladded AD44mm |
| 13 | 91912912 | Counter sunk bolt M4x6mm for AUT handle tube |

| | | |
|------|----------|------------------------------------------------------------|
| 14 | 50191251 | Rubber cable-support RETRO |
| 15 | 91912701 | Spring socket pistol side fits handle without ball joint |
| 16 | 91912704 | Spring socket pistol side fits handle with ball joint |
| 17 | 91912711 | AUT spring socket |
| 19 | 91912501 | Cable support spring pistol-side fits water-cooled torches |
| N.i. | 91912511 | AUT cable support spring (long design) |
| N.i. | 91912521 | AUT suspension spring |
| N.i. | 91912531 | AUT carabiner |

Welding-torch MIG-MAG water-cooled**600A at 100% duty cycle (CO2) - 550A at 100% duty cycle (mixed gas)**

| Art.-No. | | |
|----------------------------------------------------------------------------------------------------------------------------------|----------|-----------------------------------------------------------------------------------------|
| N.i. | 10089001 | Single stroke button (rubber) |
| 22 | 91902811 | Cable-plug fits industry-handle |
| 23 | 91902901 | Male connector cable-plug for machine side EURO central adapter |
| 24 | 91903001 | Female connector cable-plug fits machine side EURO central adapter |
| 25 | 91902502 | Meter control line flat, 4x0,5mm ² (available on reels 200m) |
| Spare cable-assemblies complete with cable support spring and fittings. Standard or with ball joint - please specify! | | |
| 30 | 09200312 | Spare cable assembly 3m / without EURO central adapter |
| 30 | 09200412 | Spare cable assembly 4m / without EURO central adapter |
| 30 | 09200512 | Spare cable assembly 5m / without EURO central adapter |
| Supply lines and thermo-hoses, superflexible and highly heat resistant please see appendix "C" and "D" | | |
| 31 | 0950a311 | Wire conduit flexible MHS / 3m EURO central adapter (flexible) |
| 31 | 0950a411 | Wire conduit flexible MHS / 4m EURO central adapter (flexible) |
| 31 | 0950a511 | Wire conduit flexible MHS / 5m EURO central adapter (flexible) |
| 32 | 09400311 | ST 80 PVC-NIT power/water cable MHS / 3m EURO central adapter |
| 32 | 09400411 | ST 80 PVC-NIT power/water cable MHS / 4m EURO central adapter |
| 32 | 09400511 | ST 80 PVC-NIT power/water cable MHS / 5m EURO central adapter |
| Supply lines for AUTOMATIC torches. | | |
| 31 | 0950d311 | AUT wire conduit MHS / 3m EURO central adapter white (hard) |
| 32 | 09400313 | HT 110 rubber fabric hose power/water cable MHS / 3m EURO central adapter |
| Reel goods: Prices are per meter and only applicable if a complete reel is purchased. | | |
| 33 | 41500001 | Meter ST 70 PVC hose ID4,0-W1,5mm black for gas (100m) |
| 34 | 50150001 | Meter ST 80 PVC-NIT fabric hose ID5,0-W1,5mm blue for water (100m) |
| 35 | 50151001 | Meter ST 80 PVC-NIT fabric hose ID5,0-W1,5mm red for water (100m) |
| 36 | 91901001 | Cooling liquid plug nipples EURO |
| N.i. | 91901008 | Closing cap blue fits cooling liquid plug nipples EURO |
| N.i. | 91901009 | Closing cap red fits cooling liquid plug nipples EURO |
| 37 | 25151001 | Meter rubberized fabric protective hose ID25-W1,5mm (40m) |
| 37.1 | 25151311 | Rubberized fabric protective hose ID25-W1,5mm perforated fits 3m / EURO central adapter |
| 37.1 | 25151411 | Rubberized fabric protective hose ID25-W1,5mm perforated fits 4m / EURO central adapter |
| 37.1 | 25151511 | Rubberized fabric protective hose ID25-W1,5mm perforated fits 5m / EURO central adapter |
| 40 | 91900701 | Terminal nut insulated fits EURO central adapter |
| 41 | 91900201 | Central adapter fixed contact-pins EURO central adapter |
| 41 | 91900206 | Central adapter spring contact-pins EURO central adapter |
| 42 | 91900801 | O-ring ID4-W1mm fits gas-nipple EURO central adapter |
| 43 | 91900901 | Coupling nut IT-M10x1 (rounded edges) fits EURO central adapter |
| 48 | 91901011 | Rubber-hose-fence fits cable support |
| 49 | 91900561 | Cable support machine side (screws included) EURO central adapter |
| N.i. | 91920702 | Screw M3x11,5mm fits Ratio/Industry/RAUCH handle and cable support |

Welding-torch MIG-MAG water-cooled

600A at 100% duty cycle (CO₂) - 550A at 100% duty cycle (mixed gas)

| Art.-No. | | |
|---------------------------------------------------------------------|----------|-----------------------------------------------------------------------|
| N.i. | 91920703 | M3 mounting socket fits Ratio/Industry/RAUCH handle and cable support |
| N.i. | 91900601 | Attachment screw M4x6mm fits cable support EURO central adapter |
| 50 | 91912801 | Spring-socket EURO central adapter |
| 51 | 91912601 | Cable support spring fits EURO / ESAB central adapter |
| 62 | 60098011 | Contact tip holder IT-M8 material: Copper, complete with insulator |
| 62 | 60098012 | Contact tip holder IT-M8 material: Brass, complete with insulator |
| 63 | 60091201 | Gas diffusor |
| 64 | 60091211 | Insulator |
| 73 | 83610401 | HD-contact tip M8-L36-AD10 CuCrZr 1,0 |
| 73 | 83612401 | HD-contact tip M8-L36-AD10 CuCrZr 1,2 |
| 73 | 83614401 | HD-contact tip M8-L36-AD10 CuCrZr 1,4 |
| 73 | 83616401 | HD-contact tip M8-L36-AD10 CuCrZr 1,6 |
| 73 | 83620401 | HD-contact tip M8-L36-AD10 CuCrZr 2,0 |
| 73 | 83608a41 | HD-contact tip M8-L36-D10 CuCrZr 0,8-A for aluminium wire |
| 73 | 83610a41 | HD-contact tip M8-L36-D10 CuCrZr 1,0-A for aluminium wire |
| 73 | 83612a41 | HD-contact tip M8-L36-D10 CuCrZr 1,2-A for aluminium wire |
| 73 | 83618301 | HD-contact tip M8-L36-D10 1,6A nickel-plated for aluminium wire |
| 80 | 60093011 | HD-gas nozzle conical-ID14mm |
| 81 | 60093001 | HD-gas nozzle conical-ID17mm |
| 82 | 60093301 | Gas nozzle cylindric-ID21mm |
| Spirals and liners also available in other sizes on inquiry! | | |
| 90 | 20450311 | Guide spiral-line ID2,0-AD4,5 fits 3m / EURO central adapter |
| 90 | 20450411 | Guide spiral-line ID2,0-AD4,5 fits 4m / EURO central adapter |
| 90 | 20450511 | Guide spiral-line ID2,0-AD4,5 fits 5m / EURO central adapter |
| 90 | 25450311 | Guide spiral-line ID2,5-AD4,5 fits 3m / EURO central adapter |
| 90 | 25450411 | Guide spiral-line ID2,5-AD4,5 fits 4m / EURO central adapter |
| 90 | 25450511 | Guide spiral-line ID2,5-AD4,5 fits 5m / EURO central adapter |
| 92 | 20393311 | PTFE-carbon core liner ID2,0-AD3,9 fits 3m / EURO central adapter |
| 92 | 20393411 | PTFE-carbon core liner ID2,0-AD3,9 fits 4m / EURO central adapter |
| 92 | 20393511 | PTFE-carbon core liner ID2,0-AD3,9 fits 5m / EURO central adapter |
| 92 | 27473311 | PTFE-carbon core liner ID2,7-AD4,7 fits 3m / EURO central adapter |
| 92 | 27473411 | PTFE-carbon core liner ID2,7-AD4,7 fits 4m / EURO central adapter |
| 92 | 27473511 | PTFE-carbon core liner ID2,7-AD4,7 fits 5m / EURO central adapter |
| 92 | 20406311 | PA-core liner black ID2,0-AD4,0 fits 3m / EURO central adapter |
| 92 | 20406411 | PA-core liner black ID2,0-AD4,0 fits 4m / EURO central adapter |
| 92 | 20406511 | PA-core liner black ID2,0-AD4,0 fits 5m / EURO central adapter |
| 92 | 23476311 | PA-core liner black ID2,3-AD4,7 fits 3m / EURO central adapter |
| 92 | 23476411 | PA-core liner black ID2,3-AD4,7 fits 4m / EURO central adapter |
| 92 | 23476511 | PA-core liner black ID2,3-AD4,7 fits 5m / EURO central adapter |
| 92 | 29476311 | PA-core liner black ID2,9-AD4,7 fits 3m / EURO central adapter |
| 92 | 29476411 | PA-core liner black ID2,9-AD4,7 fits 4m / EURO central adapter |

Welding-torch MIG-MAG water-cooled

600A at 100% duty cycle (CO₂) - 550A at 100% duty cycle (mixed gas)

| Art.-No. | | |
|----------|----------|----------------------------------------------------------------|
| 92 | 29476511 | PA-core liner black ID2,9-AD4,7 fits 5m / EURO central adapter |
| N.i. | 20405002 | Brass spiral liner blue L300mm IG fits AD3,9/4,0mm |
| N.i. | 20405001 | Brass spiral liner green L300mm IG fits AD4,7mm |
| 95 | 91905721 | Nipple fits spiral liner EURO central adapter AD 4,5mm |
| 96 | 91906111 | Nipple fits core liner EURO central adapter AD3,9/4,0mm |
| 96 | 91906121 | Nipple fits core liner EURO central adapter AD 4,7mm |
| 97 | 91906131 | O-ring ID3,5-W1,5 fits core liners |
| N.i. | 91906112 | Support tube, brass ID4,4 - AD5,0 - L200mm |

Torch MHS KONSUL-601 water-cooled

Cascade cooling heavy duty torch, gas nozzle screwable

The factory standard gear is marked in red.



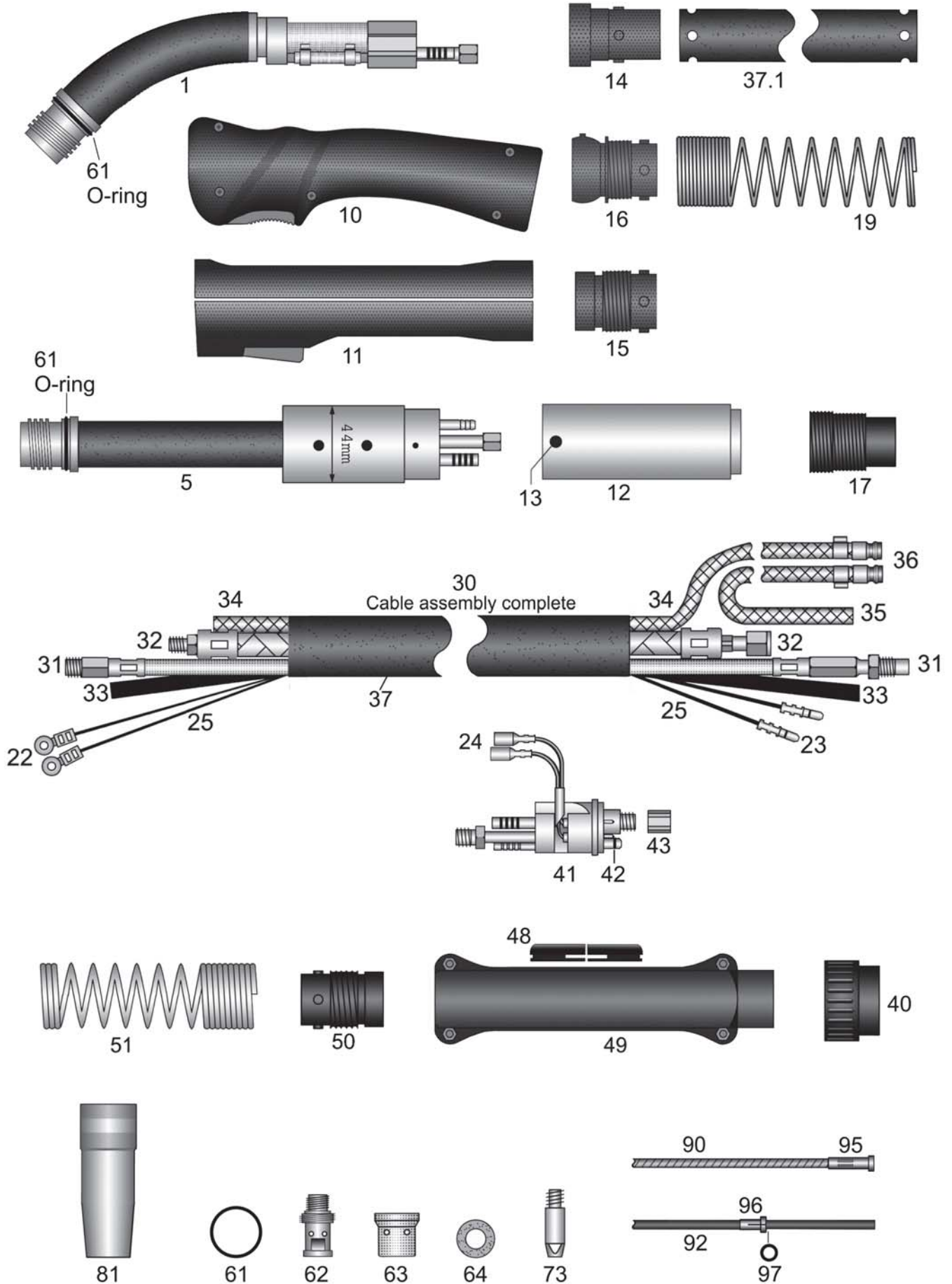
Holch Schweißbrenner GmbH
Bühlstraße 14
D-57080 Siegen

Phone: +49(0)271 387860-11
Telefax: +49(0)271 387860-29
E-Mail: info@holch-siegen.de
Web: www.holch-siegen.de



MHS KONSUL - 601 with Cascade cooling system

600 Ampere at 100% duty cycle (CO₂) - 550 Ampere at 100% duty cycle (mixed gas)



HSN 894

Welding-torch MIG-MAG water-cooled

600A at 100% duty cycle (CO₂) - 550A at 100% duty cycle (mixed gas)**Art.-No.****Spare parts as torch MHS 61 gas-cooled**

| | |
|----------|-------------------------------------------------------------------------------|
| 60100311 | Torch MHS KONSUL-601 / 3m EURO central adapter gas nozzle screwable |
| 60100411 | Torch MHS KONSUL-601 / 4m EURO central adapter gas nozzle screwable |
| 60100511 | Torch MHS KONSUL-601 / 5m EURO central adapter gas nozzle screwable |
| 60150311 | AUTomatic-torch MHS KONSUL-601 / 3m EURO central adapter gas nozzle screwable |

**For torches without EURO central-adaptor the following prices apply.
Please note that for some special machine side connections surcharges may arise,
which you will find in the appendix "A" custom made products.**

| | |
|----------|----------------------------------------------------------|
| 60100301 | Torch MHS KONSUL-601 / 3m gas nozzle screwable |
| 60100401 | Torch MHS KONSUL-601 / 4m gas nozzle screwable |
| 60100501 | Torch MHS KONSUL-601 / 5m gas nozzle screwable |
| 60150301 | AUTomatic-torch MHS KONSUL-601 / 3m gas nozzle screwable |

Special lengths for hand- and AUTomatic-torches please notice appendix "B".

Torches with flexible and highly heat resistant cable assemblies available for small surcharges! Please see appendix "B"

| | |
|----------|---------------------------------------------------------------------------|
| 29004602 | Surcharge: Torch body with custom bending |
| 91900102 | Adapter EURO central adapter fits power source with Dinse central adapter |

Torch bodies and AUTomatic torch bodies with 2 circuit cooling (Cascade cooling system), complete with copper contact tip holder M8 and insulator disc.

| | | |
|------|----------|----------------------------------------------------------------|
| 1 | 60191001 | Torch body fits gas nozzle screwable |
| N.i. | 30405001 | Surcharge: with brazen inner tube ID3-AD4mm for aluminium wire |
| 5 | 60191501 | AUTomatic-torch body fits gas nozzle screwable |

Handles complete with switch, screws and ball joint

| | | |
|------|----------|-----------------------------------------------------------------------|
| 10 | 91912537 | Ratio-handle 21mm with ball joint |
| 10 | 91912437 | Ratio-handle 21mm standard (without ball joint) |
| N.i. | 91912438 | Ratio microswitch DC2 also fits RAUCH handle |
| N.i. | 91912439 | Push button red for Ratio handle also fits RAUCH handle |
| N.i. | 91912441 | Ratio spring fits button Ratio grip handle |
| 11 | 91912104 | Industry-handle 21mm with ball joint |
| 11 | 91912433 | Industry-handle 21mm standard (without ball joint) |
| o.A | 91920412 | Switch-set fits industry-handle for 21mm (9 parts) |
| N.i. | 91920702 | Screw M3x11,5mm fits Ratio/Industry/RAUCH handle and cable support |
| N.i. | 91920703 | M3 mounting socket fits Ratio/Industry/RAUCH handle and cable support |

| | | |
|----|----------|----------------------------------------------|
| 12 | 91912923 | AUT handle tube, aluminium-cladded AD44mm |
| 13 | 91912912 | Counter sunk bolt M4x6mm for AUT handle tube |

| | | |
|------|----------|------------------------------------------------------------|
| 14 | 50191251 | Rubber cable-support RETRO |
| 15 | 91912701 | Spring socket pistol side fits handle without ball joint |
| 16 | 91912704 | Spring socket pistol side fits handle with ball joint |
| 17 | 91912711 | AUT spring socket |
| 19 | 91912501 | Cable support spring pistol-side fits water-cooled torches |
| N.i. | 91912511 | AUT cable support spring (long design) |
| N.i. | 91912521 | AUT suspension spring |
| N.i. | 91912531 | AUT carabiner |

Welding-torch MIG-MAG water-cooled

600A at 100% duty cycle (CO2) - 550A at 100% duty cycle (mixed gas)

| Art.-No. | | |
|----------------------------------------------------------------------------------------------------------------------------------|----------|-----------------------------------------------------------------------------------------|
| N.i. | 10089001 | Single stroke button (rubber) |
| 22 | 91902811 | Cable-plug fits industry-handle |
| 23 | 91902901 | Male connector cable-plug for machine side EURO central adapter |
| 24 | 91903001 | Female connector cable-plug fits machine side EURO central adapter |
| 25 | 91902502 | Meter control line flat, 4x0,5mm ² (available on reels 200m) |
| Spare cable-assemblies complete with cable support spring and fittings. Standard or with ball joint - please specify! | | |
| 30 | 09200312 | Spare cable assembly 3m / without EURO central adapter |
| 30 | 09200412 | Spare cable assembly 4m / without EURO central adapter |
| 30 | 09200512 | Spare cable assembly 5m / without EURO central adapter |
| Supply lines and thermo-hoses, superflexible and highly heat resistant please see appendix "C" and "D" | | |
| 31 | 0950a311 | Wire conduit flexible MHS / 3m EURO central adapter (flexible) |
| 31 | 0950a411 | Wire conduit flexible MHS / 4m EURO central adapter (flexible) |
| 31 | 0950a511 | Wire conduit flexible MHS / 5m EURO central adapter (flexible) |
| 32 | 09400311 | ST 80 PVC-NIT power/water cable MHS / 3m EURO central adapter |
| 32 | 09400411 | ST 80 PVC-NIT power/water cable MHS / 4m EURO central adapter |
| 32 | 09400511 | ST 80 PVC-NIT power/water cable MHS / 5m EURO central adapter |
| Supply lines for AUTomatic torches. | | |
| 31 | 0950d311 | AUT wire conduit MHS / 3m EURO central adapter white (hard) |
| 32 | 09400313 | HT 110 rubber fabric hose power/water cable MHS / 3m EURO central adapter |
| Reel goods: Prices are per meter and only applicable if a complete reel is purchased. | | |
| 33 | 41500001 | Meter ST 70 PVC hose ID4,0-W1,5mm black for gas (100m) |
| 34 | 50150001 | Meter ST 80 PVC-NIT fabric hose ID5,0-W1,5mm blue for water (100m) |
| 35 | 50151001 | Meter ST 80 PVC-NIT fabric hose ID5,0-W1,5mm red for water (100m) |
| 36 | 91901001 | Cooling liquid plug nipples EURO |
| N.i. | 91901008 | Closing cap blue fits cooling liquid plug nipples EURO |
| N.i. | 91901009 | Closing cap red fits cooling liquid plug nipples EURO |
| 37 | 25151001 | Meter rubberized fabric protective hose ID25-W1,5mm (40m) |
| 37.1 | 25151311 | Rubberized fabric protective hose ID25-W1,5mm perforated fits 3m / EURO central adapter |
| 37.1 | 25151411 | Rubberized fabric protective hose ID25-W1,5mm perforated fits 4m / EURO central adapter |
| 37.1 | 25151511 | Rubberized fabric protective hose ID25-W1,5mm perforated fits 5m / EURO central adapter |
| 40 | 91900701 | Terminal nut insulated fits EURO central adapter |
| 41 | 91900201 | Central adapter fixed contact-pins EURO central adapter |
| 41 | 91900206 | Central adapter spring contact-pins EURO central adapter |
| 42 | 91900801 | O-ring ID4-W1mm fits gas-nipple EURO central adapter |
| 43 | 91900901 | Coupling nut IT-M10x1 (rounded edges) fits EURO central adapter |
| 48 | 91901011 | Rubber-hose-fence fits cable support |
| 49 | 91900561 | Cable support machine side (screws included) EURO central adapter |
| N.i. | 91920702 | Screw M3x11,5mm fits Ratio/Industry/RAUCH handle and cable support |

Welding-torch MIG-MAG water-cooled

600A at 100% duty cycle (CO2) - 550A at 100% duty cycle (mixed gas)

| Art.-No. | | |
|----------|----------|-----------------------------------------------------------------------|
| N.i. | 91920703 | M3 mounting socket fits Ratio/Industry/RAUCH handle and cable support |
| N.i. | 91900601 | Attachment screw M4x6mm fits cable support EURO central adapter |
| 50 | 91912801 | Spring-socket EURO central adapter |
| 51 | 91912601 | Cable support spring fits EURO / ESAB central adapter |
| 61 | 91914901 | O-ring ID20,35-W1,78mm |
| 62 | 60098011 | Contact tip holder IT-M8 material: Copper, complete with insulator |
| 62 | 60098012 | Contact tip holder IT-M8 material: Brass, complete with insulator |
| 63 | 60091201 | Gas diffusor |
| 64 | 60091211 | Insulator |
| 73 | 83610401 | HD-contact tip M8-L36-AD10 CuCrZr 1,0 |
| 73 | 83612401 | HD-contact tip M8-L36-AD10 CuCrZr 1,2 |
| 73 | 83614401 | HD-contact tip M8-L36-AD10 CuCrZr 1,4 |
| 73 | 83616401 | HD-contact tip M8-L36-AD10 CuCrZr 1,6 |
| 73 | 83620401 | HD-contact tip M8-L36-AD10 CuCrZr 2,0 |
| 73 | 83608a41 | HD-contact tip M8-L36-D10 CuCrZr 0,8-A for aluminium wire |
| 73 | 83610a41 | HD-contact tip M8-L36-D10 CuCrZr 1,0-A for aluminium wire |
| 73 | 83612a41 | HD-contact tip M8-L36-D10 CuCrZr 1,2-A for aluminium wire |
| 73 | 83618301 | HD-contact tip M8-L36-D10 1,6A nickel-plated for aluminium wire |
| 81 | 60193001 | Screwable gas nozzle conical-ID17mm |

Spirals and liners also available in other sizes on inquiry!

| | | |
|----|----------|-------------------------------------------------------------------|
| 90 | 20450311 | Guide spiral-line ID2,0-AD4,5 fits 3m / EURO central adapter |
| 90 | 20450411 | Guide spiral-line ID2,0-AD4,5 fits 4m / EURO central adapter |
| 90 | 20450511 | Guide spiral-line ID2,0-AD4,5 fits 5m / EURO central adapter |
| 90 | 25450311 | Guide spiral-line ID2,5-AD4,5 fits 3m / EURO central adapter |
| 90 | 25450411 | Guide spiral-line ID2,5-AD4,5 fits 4m / EURO central adapter |
| 90 | 25450511 | Guide spiral-line ID2,5-AD4,5 fits 5m / EURO central adapter |
| 92 | 20393311 | PTFE-carbon core liner ID2,0-AD3,9 fits 3m / EURO central adapter |
| 92 | 20393411 | PTFE-carbon core liner ID2,0-AD3,9 fits 4m / EURO central adapter |
| 92 | 20393511 | PTFE-carbon core liner ID2,0-AD3,9 fits 5m / EURO central adapter |
| 92 | 27473311 | PTFE-carbon core liner ID2,7-AD4,7 fits 3m / EURO central adapter |
| 92 | 27473411 | PTFE-carbon core liner ID2,7-AD4,7 fits 4m / EURO central adapter |
| 92 | 27473511 | PTFE-carbon core liner ID2,7-AD4,7 fits 5m / EURO central adapter |
| 92 | 20406311 | PA-core liner black ID2,0-AD4,0 fits 3m / EURO central adapter |
| 92 | 20406411 | PA-core liner black ID2,0-AD4,0 fits 4m / EURO central adapter |
| 92 | 20406511 | PA-core liner black ID2,0-AD4,0 fits 5m / EURO central adapter |
| 92 | 23476311 | PA-core liner black ID2,3-AD4,7 fits 3m / EURO central adapter |
| 92 | 23476411 | PA-core liner black ID2,3-AD4,7 fits 4m / EURO central adapter |
| 92 | 23476511 | PA-core liner black ID2,3-AD4,7 fits 5m / EURO central adapter |
| 92 | 29476311 | PA-core liner black ID2,9-AD4,7 fits 3m / EURO central adapter |
| 92 | 29476411 | PA-core liner black ID2,9-AD4,7 fits 4m / EURO central adapter |
| 92 | 29476511 | PA-core liner black ID2,9-AD4,7 fits 5m / EURO central adapter |

Welding-torch MIG-MAG water-cooled**600A at 100% duty cycle (CO2) - 550A at 100% duty cycle (mixed gas)****Art.-No.**

| | | |
|------|----------|---------------------------------------------------------|
| N.i. | 20405002 | Brass spiral liner blue L300mm IG fits AD3,9/4,0mm |
| N.i. | 20405001 | Brass spiral liner green L300mm IG fits AD4,7mm |
| 95 | 91905721 | Nipple fits spiral liner EURO central adapter AD 4,5mm |
| 96 | 91906111 | Nipple fits core liner EURO central adapter AD3,9/4,0mm |
| 96 | 91906121 | Nipple fits core liner EURO central adapter AD 4,7mm |
| 97 | 91906131 | O-ring ID3,5-W1,5 fits core liners |
| N.i. | 91906112 | Support tube, brass ID4,4 - AD5,0 - L200mm |

Torch MHS 620 water-cooled

The factory standard gear is marked in red.



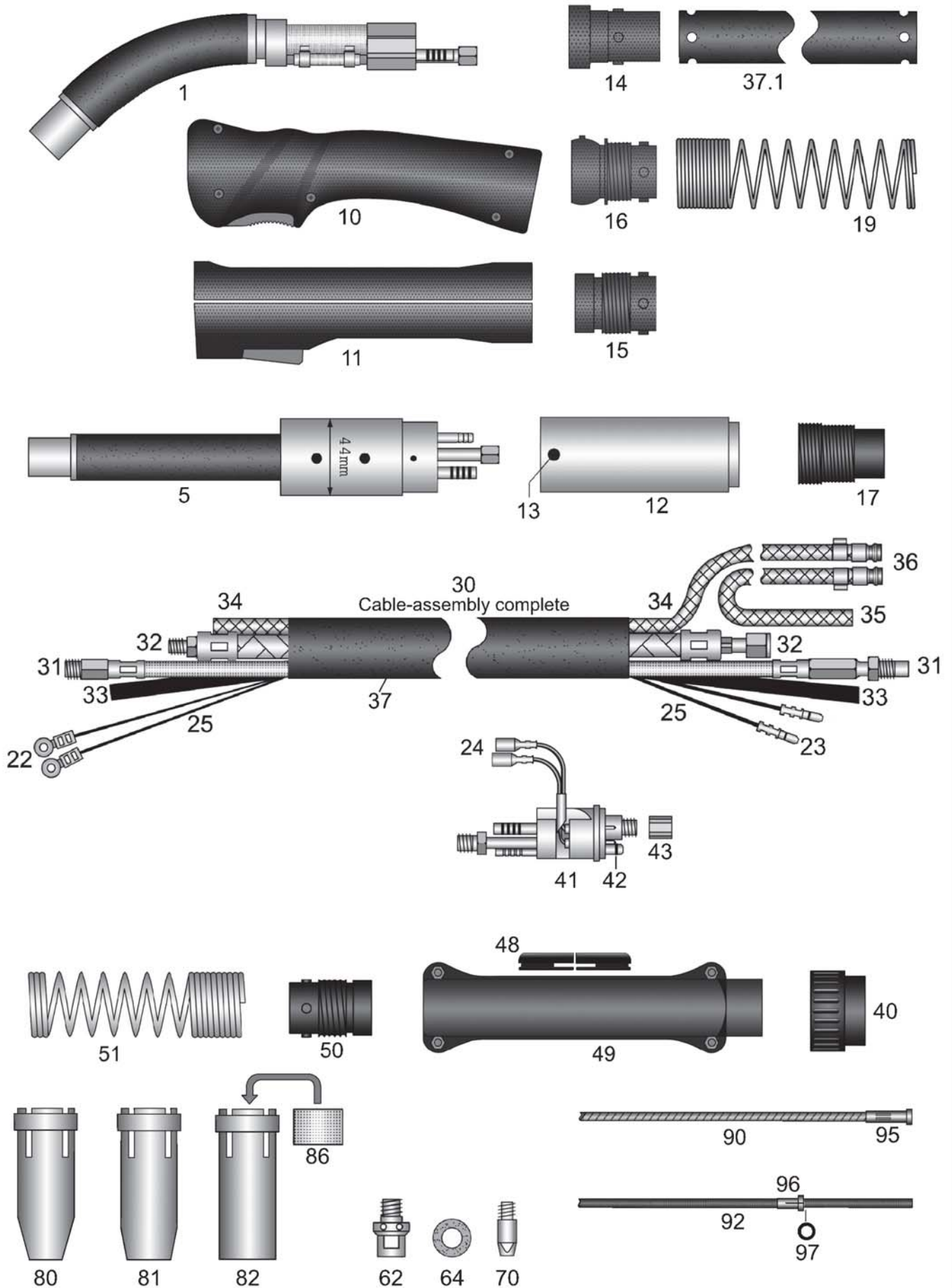
Holch Schweißbrenner GmbH
Bühlstraße 14
D-57080 Siegen

Phone: +49(0)271 387860-11
Telefax: +49(0)271 387860-29
E-Mail: info@holch-siegen.de
Web: www.holch-siegen.de



MHS 620 with Cascade cooling system

600 Ampere at 100% duty cycle (CO₂) - 550 Ampere at 100% duty cycle (mixed gas)



HSN 137

Welding-torch MIG-MAG water-cooled**600A at 100% duty cycle (CO2) - 550A at 100% duty cycle (mixed gas)**

| Art.-No. | |
|-----------------|---------------------------------------------------|
| 62000311 | Torch MHS 620 / 3m EURO central adapter |
| 62000411 | Torch MHS 620 / 4m EURO central adapter |
| 62000511 | Torch MHS 620 / 5m EURO central adapter |
| 62050311 | AUTomatic-torch MHS 620 / 3m EURO central adapter |

**For torches without EURO central-adaptor the following prices apply.
Please note that for some special machine side connections surcharges may arise,
which you will find in the appendix "A" custom made products.**

| | |
|----------|------------------------------|
| 62000301 | Torch MHS 620 / 3m |
| 62000401 | Torch MHS 620 / 4m |
| 62000501 | Torch MHS 620 / 5m |
| 62050301 | AUTomatic-torch MHS 620 / 3m |

Special lengths for hand- and AUTomatic-torches please notice appendix "B".

Torches with flexible and highly heat resistant cable assemblies available for small surcharges! Please see appendix "B"

| | |
|----------|---------------------------------------------------------------------------|
| 29004602 | Surcharge: Torch body with custom bending |
| 91900102 | Adapter EURO central adapter fits power source with Dinse central adapter |

Torch bodies and AUTomatic torch bodies with 2 circuit cooling (Cascade cooling system), complete with contact tip holder M8 and insulator disc.

| | | |
|------|----------|----------------------------------------------------------------|
| 1 | 62091001 | Torch body |
| N.i. | 30405001 | Surcharge: with brazen inner tube ID3-AD4mm for aluminium wire |
| 5 | 62091501 | AUTomatic-torch body |

Handles complete with switch, screws and ball joint

| | | |
|------|----------|-----------------------------------------------------------------------|
| 10 | 91912537 | Ratio-handle 21mm with ball joint |
| 10 | 91912437 | Ratio-handle 21mm standard (without ball joint) |
| N.i. | 91912438 | Ratio microswitch DC2 also fits RAUCH handle |
| N.i. | 91912439 | Push button red for Ratio handle also fits RAUCH handle |
| N.i. | 91912441 | Ratio spring fits button Ratio grip handle |
| 11 | 91912104 | Industry-handle 21mm with ball joint |
| 11 | 91912433 | Industry-handle 21mm standard (without ball joint) |
| N.i. | 91920412 | Switch-set fits industry-handle for 21mm (9 parts) |
| N.i. | 91920702 | Screw M3x11,5mm fits Ratio/Industry/RAUCH handle and cable support |
| N.i. | 91920703 | M3 mounting socket fits Ratio/Industry/RAUCH handle and cable support |

| | | |
|----|----------|----------------------------------------------|
| 12 | 91912923 | AUT handle tube, aluminium-cladded AD44mm |
| 13 | 91912912 | Counter sunk bolt M4x6mm for AUT handle tube |

| | | |
|------|----------|------------------------------------------------------------|
| 14 | 50191251 | Rubber cable-support RETRO |
| 15 | 91912701 | Spring socket pistol side fits handle without ball joint |
| 16 | 91912704 | Spring socket pistol side fits handle with ball joint |
| 17 | 91912711 | AUT spring socket |
| 19 | 91912501 | Cable support spring pistol-side fits water-cooled torches |
| o.A | 91912511 | AUT cable support spring (long design) |
| N.i. | 91912521 | AUT suspension spring |
| N.i. | 91912531 | AUT carabiner |
| N.i. | 10089001 | Single stroke button (rubber) |

Welding-torch MIG-MAG water-cooled**600A at 100% duty cycle (CO₂) - 550A at 100% duty cycle (mixed gas)**

| Art.-No. | | |
|----------------------------------------------------------------------------------------------------------------------------------|----------|-----------------------------------------------------------------------------------------|
| 22 | 91902811 | Cable-plug fits industry-handle |
| 23 | 91902901 | Male connector cable-plug for machine side EURO central adapter |
| 24 | 91903001 | Female connector cable-plug fits machine side EURO central adapter |
| 25 | 91902502 | Meter control line flat, 4x0,5mm ² (available on reels 200m) |
| Spare cable-assemblies complete with cable support spring and fittings. Standard or with ball joint - please specify! | | |
| 30 | 09200312 | Spare cable assembly 3m / without EURO central adapter |
| 30 | 09200412 | Spare cable assembly 4m / without EURO central adapter |
| 30 | 09200512 | Spare cable assembly 5m / without EURO central adapter |
| Supply lines and thermo-hoses, superflexible and highly heat resistant please see appendix "C" and "D" | | |
| 31 | 0950a311 | Wire conduit flexible MHS / 3m EURO central adapter (flexible) |
| 31 | 0950a411 | Wire conduit flexible MHS / 4m EURO central adapter (flexible) |
| 31 | 0950a511 | Wire conduit flexible MHS / 5m EURO central adapter (flexible) |
| 32 | 09400311 | ST 80 PVC-NIT power/water cable MHS / 3m EURO central adapter |
| 32 | 09400411 | ST 80 PVC-NIT power/water cable MHS / 4m EURO central adapter |
| 32 | 09400511 | ST 80 PVC-NIT power/water cable MHS / 5m EURO central adapter |
| Supply lines for AUTomatic torches. | | |
| 31 | 0950d311 | AUT wire conduit MHS / 3m EURO central adapter white (hard) |
| 32 | 09400313 | HT 110 rubber fabric hose power/water cable MHS / 3m EURO central adapter |
| Reel goods: Prices are per meter and only applicable if a complete reel is purchased. | | |
| 33 | 41500001 | Meter ST 70 PVC hose ID4,0-W1,5mm black for gas (100m) |
| 34 | 50150001 | Meter ST 80 PVC-NIT fabric hose ID5,0-W1,5mm blue for water (100m) |
| 35 | 50151001 | Meter ST 80 PVC-NIT fabric hose ID5,0-W1,5mm red for water (100m) |
| 36 | 91901001 | Cooling liquid plug nipples EURO |
| N.i. | 91901008 | Closing cap blue fits cooling liquid plug nipples EURO |
| N.i. | 91901009 | Closing cap red fits cooling liquid plug nipples EURO |
| 37 | 25151001 | Meter rubberized fabric protective hose ID25-W1,5mm (40m) |
| 37.1 | 25151311 | Rubberized fabric protective hose ID25-W1,5mm perforated fits 3m / EURO central adapter |
| 37.1 | 25151411 | Rubberized fabric protective hose ID25-W1,5mm perforated fits 4m / EURO central adapter |
| 37.1 | 25151511 | Rubberized fabric protective hose ID25-W1,5mm perforated fits 5m / EURO central adapter |
| 40 | 91900701 | Terminal nut insulated fits EURO central adapter |
| 41 | 91900201 | Central adapter fixed contact-pins EURO central adapter |
| 41 | 91900206 | Central adapter spring contact-pins EURO central adapter |
| 42 | 91900801 | O-ring ID4-W1mm fits gas-nipple EURO central adapter |
| 43 | 91900901 | Coupling nut IT-M10x1 (rounded edges) fits EURO central adapter |
| 48 | 91901011 | Rubber-hose-fence fits cable support |
| 49 | 91900561 | Cable support machine side (screws included) EURO central adapter |
| N.i. | 91920702 | Screw M3x11,5mm fits Ratio/Industry/RAUCH handle and cable support |
| N.i. | 91920703 | M3 mounting socket fits Ratio/Industry/RAUCH handle and cable support |
| N.i. | 91900601 | Attachment screw M4x6mm fits cable support EURO central adapter |
| 50 | 91912801 | Spring-socket EURO central adapter |

Welding-torch MIG-MAG water-cooled

600A at 100% duty cycle (CO₂) - 550A at 100% duty cycle (mixed gas)

| Art.-No. | | |
|---------------------------------------------------------------------|----------|-------------------------------------------------------------------|
| 51 | 91912601 | Cable support spring fits EURO / ESAB central adapter |
| 62 | 92981011 | Contact tip holder IT-M8 AD17-L28mm |
| 64 | 62091201 | Insulator |
| 70 | 83008001 | Contact tip M8-L30-AD10 0,8 |
| 70 | 83010001 | Contact tip M8-L30-AD10 1,0 |
| 70 | 83012001 | Contact tip M8-L30-AD10 1,2 |
| 70 | 83014001 | Contact tip M8-L30-AD10 1,4 |
| 70 | 83016001 | Contact tip M8-L30-AD10 1,6 |
| 70 | 83020001 | Contact tip M8-L30-AD10 2,0 |
| 70 | 83010401 | Contact tip M8-L30-AD10 CuCrZr 1,0 |
| 70 | 83012401 | Contact tip M8-L30-AD10 CuCrZr 1,2 |
| 70 | 83014401 | Contact tip M8-L30-AD10 CuCrZr 1,4 |
| 70 | 83016401 | Contact tip M8-L30-AD10 CuCrZr 1,6 |
| 70 | 83020401 | Contact tip M8-L30-AD10 CuCrZr 2,0 |
| 70 | 83008301 | Contact tip M8-L30-AD10 0,8 nickel-plated |
| 70 | 83010301 | Contact tip M8-L30-AD10 1,0 nickel-plated |
| 70 | 83012301 | Contact tip M8-L30-AD10 1,2 nickel-plated |
| 70 | 83014301 | Contact tip M8-L30-AD10 1,4 nickel-plated |
| 70 | 83016301 | Contact tip M8-L30-AD10 1,6 nickel-plated |
| 70 | 83008a01 | Contact tip M8-L30-D10 0,8-A for aluminium wire |
| 70 | 83010a01 | Contact tip M8-L30-D10 1,0-A for aluminium wire |
| 70 | 83012a01 | Contact tip M8-L30-D10 1,2-A for aluminium wire |
| 70 | 83018301 | Contact tip M8-L30-D10 1,6-A nickel-plated for aluminium wire |
| 80 | 95930021 | Gas nozzle conical-ID14mm (long cone) |
| 81 | 95930001 | Gas nozzle conical-ID17mm |
| 82 | 95933001 | Gas nozzle cylindric-21mm |
| 86 | 92912101 | Insulating fits gas nozzle |
| Spirals and liners also available in other sizes on inquiry! | | |
| 90 | 20450311 | Guide spiral-line ID2,0-AD4,5 fits 3m / EURO central adapter |
| 90 | 20450411 | Guide spiral-line ID2,0-AD4,5 fits 4m / EURO central adapter |
| 90 | 20450511 | Guide spiral-line ID2,0-AD4,5 fits 5m / EURO central adapter |
| 90 | 25450311 | Guide spiral-line ID2,5-AD4,5 fits 3m / EURO central adapter |
| 90 | 25450411 | Guide spiral-line ID2,5-AD4,5 fits 4m / EURO central adapter |
| 90 | 25450511 | Guide spiral-line ID2,5-AD4,5 fits 5m / EURO central adapter |
| 92 | 20393311 | PTFE-carbon core liner ID2,0-AD3,9 fits 3m / EURO central adapter |
| 92 | 20393411 | PTFE-carbon core liner ID2,0-AD3,9 fits 4m / EURO central adapter |
| 92 | 20393511 | PTFE-carbon core liner ID2,0-AD3,9 fits 5m / EURO central adapter |
| 92 | 27473311 | PTFE-carbon core liner ID2,7-AD4,7 fits 3m / EURO central adapter |
| 92 | 27473411 | PTFE-carbon core liner ID2,7-AD4,7 fits 4m / EURO central adapter |
| 92 | 27473511 | PTFE-carbon core liner ID2,7-AD4,7 fits 5m / EURO central adapter |
| 92 | 20406311 | PA-core liner black ID2,0-AD4,0 fits 3m / EURO central adapter |
| 92 | 20406411 | PA-core liner black ID2,0-AD4,0 fits 4m / EURO central adapter |
| 92 | 20406511 | PA-core liner black ID2,0-AD4,0 fits 5m / EURO central adapter |

Welding-torch MIG-MAG water-cooled**600A at 100% duty cycle (CO₂) - 550A at 100% duty cycle (mixed gas)**

| Art.-No. | | |
|-----------------|----------|----------------------------------------------------------------|
| 92 | 23476311 | PA-core liner black ID2,3-AD4,7 fits 3m / EURO central adapter |
| 92 | 23476411 | PA-core liner black ID2,3-AD4,7 fits 4m / EURO central adapter |
| 92 | 23476511 | PA-core liner black ID2,3-AD4,7 fits 5m / EURO central adapter |
| 92 | 29476311 | PA-core liner black ID2,9-AD4,7 fits 3m / EURO central adapter |
| 92 | 29476411 | PA-core liner black ID2,9-AD4,7 fits 4m / EURO central adapter |
| 92 | 29476511 | PA-core liner black ID2,9-AD4,7 fits 5m / EURO central adapter |
| N.i. | 20405002 | Brass spiral liner blue L300mm IG fits AD3,9/4,0mm |
| N.i. | 20405001 | Brass spiral liner green L300mm IG fits AD4,7mm |
| 95 | 91905721 | Nipple fits spiral liner EURO central adapter AD 4,5mm |
| 96 | 91906111 | Nipple fits core liner EURO central adapter AD3,9/4,0mm |
| 96 | 91906121 | Nipple fits core liner EURO central adapter AD 4,7mm |
| 97 | 91906131 | O-ring ID3,5-W1,5 fits core liners |
| N.i. | 91906112 | Support tube, brass ID4,4 - AD5,0 - L200mm |

Torch MHS SENATOR-800-D water-cooled

The factory standard gear is marked in red.



Holch Schweißbrenner GmbH
Bühlstraße 14
D-57080 Siegen

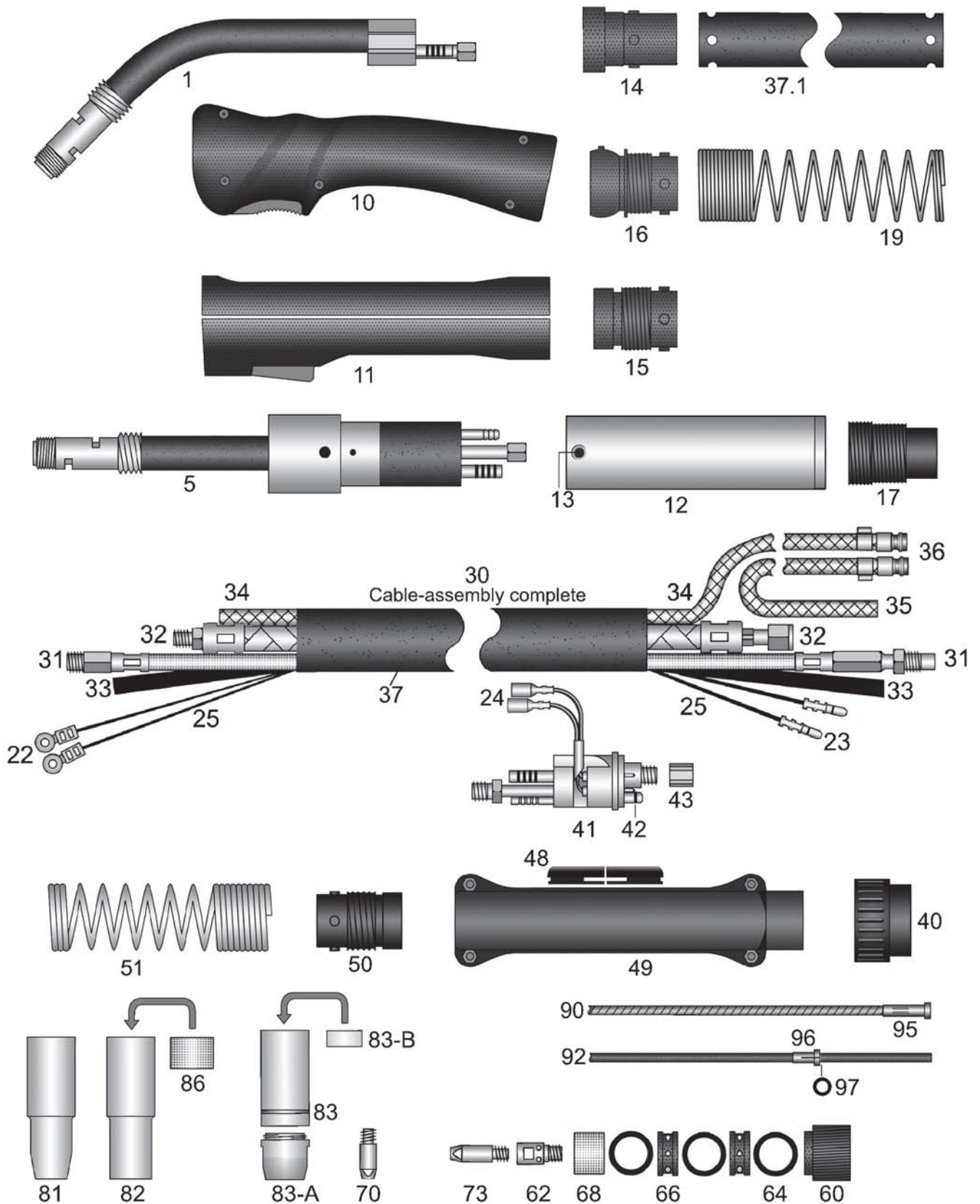
Phone: +49(0)271 387860-11
Telefax: +49(0)271 387860-29
E-Mail: info@holch-siegen.de
Web: www.holch-siegen.de

MHS SENATOR-800-D

water-cooled



700 Ampere at 100% duty cycle (CO₂) - 650 Ampere at 100% duty cycle (mixed gas)



Operating instruction

Screw laminated fabric-tension sleeve right-hand thread (60) down until it goes no further. Then, mount rubber flating (64), water distributor (66), a second rubber flating (64), a second water distributor (66) and a third rubber flating (64). Screw insulating sleeve left-hand thread (68) until it goes no further. Put insulating sleeve (86) into gas nozzle (81,82). Slide gas nozzle over the cooling system. Screw back laminated fabric-tension sleeve (60), to press the parts together. The rubber flatings are being compressed and pushed to the outside, sealing the water circulation system and holding the gas nozzle.

HSN 139

Welding-torch MIG-MAG water-cooled**700A at 100% duty cycle (CO2) - 650A at 100% duty cycle (mixed gas)**

| Art.-No. | |
|-----------------|---------------------------------------------------------|
| 80000311 | Torch MHS SENATOR-800-D / 3m EURO central adapter |
| 80000411 | Torch MHS SENATOR-800-D / 4m EURO central adapter |
| 80000511 | Torch MHS SENATOR-800-D / 5m EURO central adapter |
| 80050311 | AUTomatic-torch SENATOR-800-D / 3m EURO central adapter |

**For torches without EURO central-adaptor the following prices apply.
Please note that for some special machine side connections surcharges may arise,
which you will find in the appendix "A" custom made products.**

| | |
|----------|----------------------------------------|
| 80000301 | Torch MHS SENATOR-800-D / 3m |
| 80000401 | Torch MHS SENATOR-800-D / 4m |
| 80000501 | Torch MHS SENATOR-800-D / 5m |
| 80050301 | AUTomatic-torch MHS SENATOR-800-D / 3m |

Special lengths for hand- and AUTomatic-torches please notice appendix "B".

Torches with flexible and highly heat resistant cable assemblies available for small surcharges! Please see appendix "B"

| | |
|---------------|-----------------------------------------------------------|
| pg000001 | Surcharge: Pistol-shape-handle / stabilizer |
| N.i. 91912453 | Heat protection shield for pistol handle, screws included |
| 29004602 | Surcharge: Torch body with custom bending |

| | |
|----------|---------------------------------------------------------------------------|
| 91900102 | Adapter EURO central adapter fits power source with Dinse central adapter |
|----------|---------------------------------------------------------------------------|

Torch bodies and AUTomatic torch bodies with rubber insulation, very massive power conduit, max. cooling water conduit, complete with contact tip holder M8.

| | | |
|------|----------|----------------------------------------------------------------|
| 1 | 80091001 | Torch body |
| N.i. | 30405001 | Surcharge: with brazen inner tube ID3-AD4mm for aluminium wire |
| 5 | 80091501 | AUTomatic-torch body |

Handles complete with switch, screws and ball joint

| | | |
|------|----------|-----------------------------------------------------------------------|
| 10 | 91912536 | Ratio-handle 20mm with ball joint |
| 10 | 91912436 | Ratio-handle 20mm standard (without ball joint) |
| N.i. | 91912438 | Ratio microswitch DC2 also fits RAUCH handle |
| N.i. | 91912439 | Push button red for Ratio handle also fits RAUCH handle |
| N.i. | 91912441 | Ratio spring fits button Ratio grip handle |
| 11 | 91912103 | Industry-handle 20mm with ball joint |
| 11 | 91912431 | Industry-handle 20mm standard (without ball joint) |
| o.A | 91920411 | Switch-set fits industry-handle for 16/18/20mm (11 parts) |
| N.i. | 91920702 | Screw M3x11,5mm fits Ratio/Industry/RAUCH handle and cable support |
| N.i. | 91920703 | M3 mounting socket fits Ratio/Industry/RAUCH handle and cable support |

| | | |
|----|----------|--------------------------------------------------------------|
| 12 | 91912921 | AUT handle tube, brass-cladded AD38mm for AUT-torch standard |
| 13 | 91912911 | Holding screw M4x6mm fits AUT handle tube |

| | | |
|------|----------|------------------------------------------------------------|
| 14 | 50191251 | Rubber cable-support RETRO |
| 15 | 91912701 | Spring socket pistol side fits handle without ball joint |
| 16 | 91912704 | Spring socket pistol side fits handle with ball joint |
| 17 | 91912711 | AUT spring socket |
| 19 | 91912501 | Cable support spring pistol-side fits water-cooled torches |
| N.i. | 91912511 | AUT cable support spring (long design) |
| N.i. | 91912521 | AUT suspension spring |

Welding-torch MIG-MAG water-cooled

700A at 100% duty cycle (CO₂) - 650A at 100% duty cycle (mixed gas)

| Art.-No. | | |
|----------------------------------------------------------------------------------------------------------------------------------|----------|-----------------------------------------------------------------------------------------|
| N.i. | 91912531 | AUT carabiner |
| N.i. | 10089001 | Single stroke button (rubber) |
| 22 | 91902811 | Cable-plug fits industry-handle |
| 23 | 91902901 | Male connector cable-plug for machine side EURO central adapter |
| 24 | 91903001 | Female connector cable-plug fits machine side EURO central adapter |
| 25 | 91902502 | Meter control line flat, 4x0,5mm ² (available on reels 200m) |
| Spare cable-assemblies complete with cable support spring and fittings. Standard or with ball joint - please specify! | | |
| 30 | 09200312 | Spare cable assembly 3m / without EURO central adapter |
| 30 | 09200412 | Spare cable assembly 4m / without EURO central adapter |
| 30 | 09200512 | Spare cable assembly 5m / without EURO central adapter |
| Supply lines and thermo-hoses, superflexible and highly heat resistant please see appendix "C" and "D" | | |
| 31 | 0950a311 | Wire conduit flexible MHS / 3m EURO central adapter (flexible) |
| 31 | 0950a411 | Wire conduit flexible MHS / 4m EURO central adapter (flexible) |
| 31 | 0950a511 | Wire conduit flexible MHS / 5m EURO central adapter (flexible) |
| 32 | 09400311 | ST 80 PVC-NIT power/water cable MHS / 3m EURO central adapter |
| 32 | 09400411 | ST 80 PVC-NIT power/water cable MHS / 4m EURO central adapter |
| 32 | 09400511 | ST 80 PVC-NIT power/water cable MHS / 5m EURO central adapter |
| Supply lines for AUTomatic torches. | | |
| 31 | 0950d311 | AUT wire conduit MHS / 3m EURO central adapter white (hard) |
| 32 | 09400313 | HT 110 rubber fabric hose power/water cable MHS / 3m EURO central adapter |
| Reel goods: Prices are per meter and only applicable if a complete reel is purchased. | | |
| 33 | 41500001 | Meter ST 70 PVC hose ID4,0-W1,5mm black for gas (100m) |
| 34 | 50150001 | Meter ST 80 PVC-NIT fabric hose ID5,0-W1,5mm blue for water (100m) |
| 35 | 50151001 | Meter ST 80 PVC-NIT fabric hose ID5,0-W1,5mm red for water (100m) |
| 36 | 91901001 | Cooling liquid plug nipples EURO |
| N.i. | 91901008 | Closing cap blue fits cooling liquid plug nipples EURO |
| N.i. | 91901009 | Closing cap red fits cooling liquid plug nipples EURO |
| 37 | 25151001 | Meter rubberized fabric protective hose ID25-W1,5mm (40m) |
| 37.1 | 25151311 | Rubberized fabric protective hose ID25-W1,5mm perforated fits 3m / EURO central adapter |
| 37.1 | 25151411 | Rubberized fabric protective hose ID25-W1,5mm perforated fits 4m / EURO central adapter |
| 37.1 | 25151511 | Rubberized fabric protective hose ID25-W1,5mm perforated fits 5m / EURO central adapter |
| 40 | 91900701 | Terminal nut insulated fits EURO central adapter |
| 41 | 91900201 | Central adapter fixed contact-pins EURO central adapter |
| 41 | 91900206 | Central adapter spring contact-pins EURO central adapter |
| 42 | 91900801 | O-ring ID4-W1mm fits gas-nipple EURO central adapter |
| 43 | 91900901 | Coupling nut IT-M10x1 (rounded edges) fits EURO central adapter |
| 48 | 91901011 | Rubber-hose-fence fits cable support |
| 49 | 91900561 | Cable support machine side (screws included) EURO central adapter |
| N.i. | 91920702 | Screw M3x11,5mm fits Ratio/Industry/RAUCH handle and cable support |

Welding-torch MIG-MAG water-cooled

700A at 100% duty cycle (CO2) - 650A at 100% duty cycle (mixed gas)

| Art.-No. | | |
|-----------------------------------------------------------------------------------------------------------------|----------|------------------------------------------------------------------------------------|
| N.i. | 91920703 | M3 mounting socket fits Ratio/Industry/RAUCH handle and cable support |
| N.i. | 91900601 | Attachment screw M4x6mm fits cable support EURO central adapter |
| 50 | 91912801 | Spring-socket EURO central adapter |
| 51 | 91912601 | Cable support spring fits EURO / ESAB central adapter |
| 60 | 92912401 | Laminated fabric-tension sleeve with right hand thread |
| 62 | 92981001 | Contact tip holder IT-M8 AD13-L28mm |
| 64 | 92912201 | Flat silicon ring ID17-W2,5mm |
| 66 | 92912301 | Water distributor |
| 68 | 92912001 | Insulating sleeve with left hand thread |
| Contact tips M8x30 fits gasnozzle coating with gasnozzle L-28mm two parts design (pos.83 + pos.83-A) | | |
| 70 | 83010401 | Contact tip M8-L30-AD10 CuCrZr 1,0 |
| 70 | 83012401 | Contact tip M8-L30-AD10 CuCrZr 1,2 |
| 70 | 83014401 | Contact tip M8-L30-AD10 CuCrZr 1,4 |
| 70 | 83016401 | Contact tip M8-L30-AD10 CuCrZr 1,6 |
| 70 | 83020401 | Contact tip M8-L30-AD10 CuCrZr 2,0 |
| 70 | 83024301 | Contact tip M8-L30-D10 2,4 nickel-plated |
| 70 | 83028301 | Contact tip M8-L30-D10 2,8 nickel-plated |
| 73 | 83610401 | HD-contact tip M8-L36-AD10 CuCrZr 1,0 |
| 73 | 83612401 | HD-contact tip M8-L36-AD10 CuCrZr 1,2 |
| 73 | 83614401 | HD-contact tip M8-L36-AD10 CuCrZr 1,4 |
| 73 | 83616401 | HD-contact tip M8-L36-AD10 CuCrZr 1,6 |
| 73 | 83620401 | HD-contact tip M8-L36-AD10 CuCrZr 2,0 |
| 73 | 83624401 | HD-contact tip M8-L36-AD10 CuCrZr 2,4 |
| 73 | 83628401 | HD-contact tip M8-L36-AD10 CuCrZr 2,8 |
| 73 | 83608a41 | HD-contact tip M8-L36-D10 CuCrZr 0,8-A for aluminium wire |
| 73 | 83610a41 | HD-contact tip M8-L36-D10 CuCrZr 1,0-A for aluminium wire |
| 73 | 83612a41 | HD-contact tip M8-L36-D10 CuCrZr 1,2-A for aluminium wire |
| 73 | 83618301 | HD-contact tip M8-L36-D10 1,6A nickel-plated for aluminium wire |
| 81 | 80093011 | HD-gas nozzle with coolant chamber conical-ID17mm |
| 82 | 80093301 | HD-gas nozzle with coolant chamber cylindric-ID21mm |
| N.i. | 80093001 | HD-gas nozzle with coolant chamber cylindric-ID21mm (short) fits contact tip M8x30 |
| Please use M8x30 contact tips for the following gas nozzles. | | |
| 83 | 80093021 | Gasnozzle coating double walled fits Gasnozzle L28-ID19mm and contact tip M8x30 |
| 83-A | 80093031 | Gasnozzle L28-ID19mm fits gasnozzle coating double walled and contact tip M8x30 |
| 83-B | 80091201 | Splatter protection fits gasnozzle coating double walled |
| 86 | 92912101 | Insulating fits gas nozzle |
| Spirals and liners also available in other sizes on inquiry! | | |
| 90 | 20450311 | Guide spiral-line ID2,0-AD4,5 fits 3m / EURO central adapter |
| 90 | 20450411 | Guide spiral-line ID2,0-AD4,5 fits 4m / EURO central adapter |
| 90 | 20450511 | Guide spiral-line ID2,0-AD4,5 fits 5m / EURO central adapter |
| 90 | 25450311 | Guide spiral-line ID2,5-AD4,5 fits 3m / EURO central adapter |
| 90 | 25450411 | Guide spiral-line ID2,5-AD4,5 fits 4m / EURO central adapter |
| 90 | 25450511 | Guide spiral-line ID2,5-AD4,5 fits 5m / EURO central adapter |

Welding-torch MIG-MAG water-cooled

700A at 100% duty cycle (CO₂) - 650A at 100% duty cycle (mixed gas)

| Art.-No. | | |
|----------|----------|-------------------------------------------------------------------|
| 90 | 30450311 | Flatwire spiral-line ID3,0-AD4,5 fits 3m / EURO central adapter |
| 90 | 30450411 | Flatwire spiral-line ID3,0-AD4,5 fits 4m / EURO central adapter |
| 90 | 30450511 | Flatwire spiral-line ID3,0-AD4,5 fits 5m / EURO central adapter |
| 90 | 35490311 | Flatwire spiral-line ID3,5-AD4,9 fits 3m / EURO central adapter |
| 90 | 35490411 | Flatwire spiral-line ID3,5-AD4,9 fits 4m / EURO central adapter |
| 90 | 35490511 | Flatwire spiral-line ID3,5-AD4,9 fits 5m / EURO central adapter |
| 92 | 20393311 | PTFE-carbon core liner ID2,0-AD3,9 fits 3m / EURO central adapter |
| 92 | 20393411 | PTFE-carbon core liner ID2,0-AD3,9 fits 4m / EURO central adapter |
| 92 | 20393511 | PTFE-carbon core liner ID2,0-AD3,9 fits 5m / EURO central adapter |
| 92 | 27473311 | PTFE-carbon core liner ID2,7-AD4,7 fits 3m / EURO central adapter |
| 92 | 27473411 | PTFE-carbon core liner ID2,7-AD4,7 fits 4m / EURO central adapter |
| 92 | 27473511 | PTFE-carbon core liner ID2,7-AD4,7 fits 5m / EURO central adapter |
| 92 | 20406311 | PA-core liner black ID2,0-AD4,0 fits 3m / EURO central adapter |
| 92 | 20406411 | PA-core liner black ID2,0-AD4,0 fits 4m / EURO central adapter |
| 92 | 20406511 | PA-core liner black ID2,0-AD4,0 fits 5m / EURO central adapter |
| 92 | 23476311 | PA-core liner black ID2,3-AD4,7 fits 3m / EURO central adapter |
| 92 | 23476411 | PA-core liner black ID2,3-AD4,7 fits 4m / EURO central adapter |
| 92 | 23476511 | PA-core liner black ID2,3-AD4,7 fits 5m / EURO central adapter |
| 92 | 29476311 | PA-core liner black ID2,9-AD4,7 fits 3m / EURO central adapter |
| 92 | 29476411 | PA-core liner black ID2,9-AD4,7 fits 4m / EURO central adapter |
| 92 | 29476511 | PA-core liner black ID2,9-AD4,7 fits 5m / EURO central adapter |
| N.i. | 20405002 | Brass spiral liner blue L300mm IG fits AD3,9/4,0mm |
| N.i. | 20405001 | Brass spiral liner green L300mm IG fits AD4,7mm |
| 95 | 91905721 | Nipple fits spiral liner EURO central adapter AD 4,5mm |
| 96 | 91906111 | Nipple fits core liner EURO central adapter AD3,9/4,0mm |
| 96 | 91906121 | Nipple fits core liner EURO central adapter AD 4,7mm |
| 97 | 91906131 | O-ring ID3,5-W1,5 fits core liners |
| N.i. | 91906112 | Support tube, brass ID4,4 - AD5,0 - L200mm |

Torch MHS YETI -900 water-cooled

The factory standard gear is marked in red.



Holch Schweißbrenner GmbH
Bühlstraße 14
D-57080 Siegen

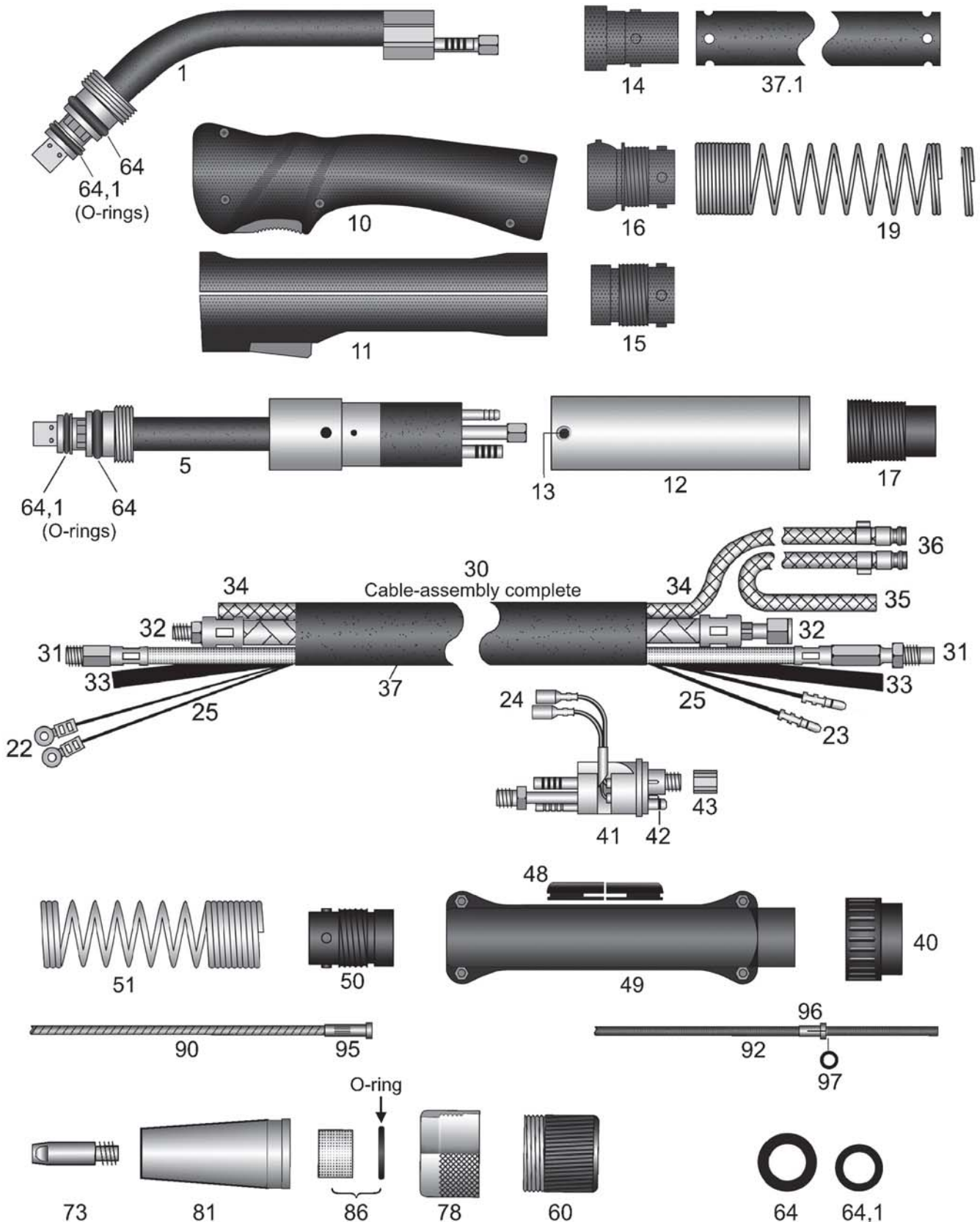
Phone: +49(0)271 387860-11
Telefax: +49(0)271 387860-29
E-Mail: info@holch-siegen.de
Web: www.holch-siegen.de



MHS YETI-900

water-cooled

900 Ampere at 100% duty cycle (CO₂) - 800 Ampere at 100% duty cycle (mixed gas)



Operating instruction

Screw laminated fabric-tension sleeve right-hand thread (60) down until it goes no further. Put on the gas nozzle (81), with insulating (86) and sealing ring already placed inside the nozzle, mount knurled cap nut (78) and tighten it. Release gas nozzle: screw off knurled cap nut. Screw fabric tension sleeve (60) towards the gas nozzle to the large o-ring. The gas nozzle can now be removed.

HSN 141

Welding-torch MIG-MAG water-cooled**900A at 100% duty cycle (CO2) - 800A at 100% duty cycle (mixed gas)**

| Art.-No. | |
|-----------------|--------------------------------------------------------|
| yeti0311 | Torch MHS YETI-900 / 3m EURO central adapter |
| yeti0411 | Torch MHS YETI-900 / 4m EURO central adapter |
| yeti0511 | Torch MHS YETI-900 / 5m EURO central adapter |
| yeti5311 | AUTomatic-torch MHS YETI-900 / 3m EURO central adapter |

**For torches without EURO central-adaptor the following prices apply.
Please note that for some special machine side connections surcharges may arise,
which you will find in the appendix "A" custom made products.**

| | |
|----------|-----------------------------------|
| yeti0301 | Torch MHS YETI-900 / 3m |
| yeti0401 | Torch MHS YETI-900 / 4m |
| yeti0501 | Torch MHS YETI-900 / 5m |
| yeti5301 | AUTomatic-torch MHS YETI-900 / 3m |

Special lengths for hand- and AUTomatic-torches please notice appendix "B".

Torches with flexible and highly heat resistant cable assemblies available for small surcharges! Please see appendix "B"

| | |
|---------------|-----------------------------------------------------------|
| pg000001 | Surcharge: Pistol-shape-handle / stabilizer |
| N.i. 91912453 | Heat protection shield for pistol handle, screws included |
| 29004602 | Surcharge: Torch body with custom bending |

| | |
|----------|---------------------------------------------------------------------------|
| 91900102 | Adapter EURO central adapter fits power source with Dinse central adapter |
|----------|---------------------------------------------------------------------------|

Torch bodies and AUTomatic torch bodies with rubber insulation, very massive power conduit, max. cooling water conduit, complete with a set of special o-rings and laminated fabric tension sleeve.

| | | |
|------|----------|----------------------------------------------------------------|
| 1 | yeti9101 | Torch body |
| N.i. | 30405001 | Surcharge: with brazen inner tube ID3-AD4mm for aluminium wire |
| 5 | yeti9151 | AUTomatic-torch body |

Handles complete with switch, screws and ball joint

| | | |
|------|----------|-----------------------------------------------------------------------|
| 10 | 91912537 | Ratio-handle 21mm with ball joint |
| 10 | 91912437 | Ratio-handle 21mm standard (without ball joint) |
| N.i. | 91912438 | Ratio microswitch DC2 also fits RAUCH handle |
| N.i. | 91912439 | Push button red for Ratio handle also fits RAUCH handle |
| N.i. | 91912441 | Ratio spring fits button Ratio grip handle |
| N.i. | 91920702 | Screw M3x11,5mm fits Ratio/Industry/RAUCH handle and cable support |
| N.i. | 91920703 | M3 mounting socket fits Ratio/Industry/RAUCH handle and cable support |
| 11 | 91912104 | Industry-handle 21mm with ball joint |
| 11 | 91912433 | Industry-handle 21mm standard (without ball joint) |
| o.A | 91920411 | Switch-set fits industry-handle for 16/18/20mm (11 parts) |

| | | |
|----|----------|--------------------------------------------------------------|
| 12 | 91912921 | AUT handle tube, brass-cladded AD38mm for AUT-torch standard |
|----|----------|--------------------------------------------------------------|

| | | |
|----|----------|-------------------------------------------|
| 13 | 91912911 | Holding screw M4x6mm fits AUT handle tube |
|----|----------|-------------------------------------------|

| | | |
|----|----------|----------------------------|
| 14 | 50191251 | Rubber cable-support RETRO |
|----|----------|----------------------------|

| | | |
|----|----------|----------------------------------------------------------|
| 15 | 91912701 | Spring socket pistol side fits handle without ball joint |
|----|----------|----------------------------------------------------------|

| | | |
|----|----------|-------------------------------------------------------|
| 16 | 91912704 | Spring socket pistol side fits handle with ball joint |
|----|----------|-------------------------------------------------------|

| | | |
|----|----------|-------------------|
| 17 | 91912711 | AUT spring socket |
|----|----------|-------------------|

| | | |
|----|----------|------------------------------------------------------------|
| 19 | 91912501 | Cable support spring pistol-side fits water-cooled torches |
|----|----------|------------------------------------------------------------|

| | | |
|------|----------|----------------------------------------|
| N.i. | 91912511 | AUT cable support spring (long design) |
|------|----------|----------------------------------------|

Welding-torch MIG-MAG water-cooled**900A at 100% duty cycle (CO2) - 800A at 100% duty cycle (mixed gas)**

| Art.-No. | | |
|----------------------------------------------------------------------------------------------------------------------------------|----------|-----------------------------------------------------------------------------------------|
| N.i. | 91912521 | AUT suspension spring |
| N.i. | 91912531 | AUT carabiner |
| N.i. | 10089001 | Single stroke button (rubber) |
| 22 | 91902811 | Cable-plug fits industry-handle |
| 23 | 91902901 | Male connector cable-plug for machine side EURO central adapter |
| 24 | 91903001 | Female connector cable-plug fits machine side EURO central adapter |
| 25 | 91902502 | Meter control line flat, 4x0,5mm ² (available on reels 200m) |
| Spare cable-assemblies complete with cable support spring and fittings. Standard or with ball joint - please specify! | | |
| 30 | 09200312 | Spare cable assembly 3m / without EURO central adapter |
| 30 | 09200412 | Spare cable assembly 4m / without EURO central adapter |
| 30 | 09200512 | Spare cable assembly 5m / without EURO central adapter |
| Supply lines and thermo-hoses, superflexible and highly heat resistant please see appendix "C" and "D" | | |
| 31 | 0950a311 | Wire conduit flexible MHS / 3m EURO central adapter (flexible) |
| 31 | 0950a411 | Wire conduit flexible MHS / 4m EURO central adapter (flexible) |
| 31 | 0950a511 | Wire conduit flexible MHS / 5m EURO central adapter (flexible) |
| 32 | 09400311 | ST 80 PVC-NIT power/water cable MHS / 3m EURO central adapter |
| 32 | 09400411 | ST 80 PVC-NIT power/water cable MHS / 4m EURO central adapter |
| 32 | 09400511 | ST 80 PVC-NIT power/water cable MHS / 5m EURO central adapter |
| Supply lines for AUTomatic torches. | | |
| 31 | 0950d311 | AUT wire conduit MHS / 3m EURO central adapter white (hard) |
| 32 | 09400313 | HT 110 rubber fabric hose power/water cable MHS / 3m EURO central adapter |
| Reel goods: Prices are per meter and only applicable if a complete reel is purchased. | | |
| 33 | 41500001 | Meter ST 70 PVC hose ID4,0-W1,5mm black for gas (100m) |
| 34 | 50150001 | Meter ST 80 PVC-NIT fabric hose ID5,0-W1,5mm blue for water (100m) |
| 35 | 50151001 | Meter ST 80 PVC-NIT fabric hose ID5,0-W1,5mm red for water (100m) |
| 36 | 91901001 | Cooling liquid plug nipples EURO |
| N.i. | 91901008 | Closing cap blue fits cooling liquid plug nipples EURO |
| N.i. | 91901009 | Closing cap red fits cooling liquid plug nipples EURO |
| 37 | 25151001 | Meter rubberized fabric protective hose ID25-W1,5mm (40m) |
| 37.1 | 25151311 | Rubberized fabric protective hose ID25-W1,5mm perforated fits 3m / EURO central adapter |
| 37.1 | 25151411 | Rubberized fabric protective hose ID25-W1,5mm perforated fits 4m / EURO central adapter |
| 37.1 | 25151511 | Rubberized fabric protective hose ID25-W1,5mm perforated fits 5m / EURO central adapter |
| 40 | 91900701 | Terminal nut insulated fits EURO central adapter |
| 41 | 91900201 | Central adapter fixed contact-pins EURO central adapter |
| 41 | 91900206 | Central adapter spring contact-pins EURO central adapter |
| 42 | 91900801 | O-ring ID4-W1mm fits gas-nipple EURO central adapter |
| 43 | 91900901 | Coupling nut IT-M10x1 (rounded edges) fits EURO central adapter |
| 48 | 91901011 | Rubber-hose-fence fits cable support |
| 49 | 91900561 | Cable support machine side (screws included) EURO central adapter |

Welding-torch MIG-MAG water-cooled

900A at 100% duty cycle (CO2) - 800A at 100% duty cycle (mixed gas)

| Art.-No. | | |
|---------------------------------------------------------------------|----------|-----------------------------------------------------------------------|
| N.i. | 91920702 | Screw M3x11,5mm fits Ratio/Industry/RAUCH handle and cable support |
| N.i. | 91920703 | M3 mounting socket fits Ratio/Industry/RAUCH handle and cable support |
| N.i. | 91900601 | Attachment screw M4x6mm fits cable support EURO central adapter |
| 50 | 91912801 | Spring-socket EURO central adapter |
| 51 | 91912601 | Cable support spring fits EURO / ESAB central adapter |
| 60 | yeti9121 | Laminated fabric-tension insulator |
| 64 | 99999901 | Set of O-rings (large + small) material: hepthon951 |
| 64.1 | 99999901 | Set of O-rings (large + small) material: hepthon951 |
| 73 | 83610401 | HD-contact tip M8-L36-AD10 CuCrZr 1,0 |
| 73 | 83612401 | HD-contact tip M8-L36-AD10 CuCrZr 1,2 |
| 73 | 83614401 | HD-contact tip M8-L36-AD10 CuCrZr 1,4 |
| 73 | 83616401 | HD-contact tip M8-L36-AD10 CuCrZr 1,6 |
| 73 | 83620401 | HD-contact tip M8-L36-AD10 CuCrZr 2,0 |
| 73 | 83624401 | HD-contact tip M8-L36-AD10 CuCrZr 2,4 |
| 73 | 83628401 | HD-contact tip M8-L36-AD10 CuCrZr 2,8 |
| 73 | 83608a41 | HD-contact tip M8-L36-D10 CuCrZr 0,8-A for aluminium wire |
| 73 | 83610a41 | HD-contact tip M8-L36-D10 CuCrZr 1,0-A for aluminium wire |
| 73 | 83612a41 | HD-contact tip M8-L36-D10 CuCrZr 1,2-A for aluminium wire |
| 73 | 83618301 | HD-contact tip M8-L36-D10 1,6A nickel-plated for aluminium wire |
| 78 | yeti9122 | Swivel nut for gas nozzle |
| 81 | yeti9311 | Gas nozzle conical-ID18mm complete with insulating + sealing ring |
| 86 | yeti9123 | insulating for gas nozzle with sealing ring |
| Spirals and liners also available in other sizes on inquiry! | | |
| 90 | 20450311 | Guide spiral-line ID2,0-AD4,5 fits 3m / EURO central adapter |
| 90 | 20450411 | Guide spiral-line ID2,0-AD4,5 fits 4m / EURO central adapter |
| 90 | 20450511 | Guide spiral-line ID2,0-AD4,5 fits 5m / EURO central adapter |
| 90 | 25450311 | Guide spiral-line ID2,5-AD4,5 fits 3m / EURO central adapter |
| 90 | 25450411 | Guide spiral-line ID2,5-AD4,5 fits 4m / EURO central adapter |
| 90 | 25450511 | Guide spiral-line ID2,5-AD4,5 fits 5m / EURO central adapter |
| 90 | 30450311 | Flatwire spiral-line ID3,0-AD4,5 fits 3m / EURO central adapter |
| 90 | 30450411 | Flatwire spiral-line ID3,0-AD4,5 fits 4m / EURO central adapter |
| 90 | 30450511 | Flatwire spiral-line ID3,0-AD4,5 fits 5m / EURO central adapter |
| 90 | 35490311 | Flatwire spiral-line ID3,5-AD4,9 fits 3m / EURO central adapter |
| 90 | 35490411 | Flatwire spiral-line ID3,5-AD4,9 fits 4m / EURO central adapter |
| 90 | 35490511 | Flatwire spiral-line ID3,5-AD4,9 fits 5m / EURO central adapter |
| 92 | 20393311 | PTFE-carbon core liner ID2,0-AD3,9 fits 3m / EURO central adapter |
| 92 | 20393411 | PTFE-carbon core liner ID2,0-AD3,9 fits 4m / EURO central adapter |
| 92 | 20393511 | PTFE-carbon core liner ID2,0-AD3,9 fits 5m / EURO central adapter |
| 92 | 27473311 | PTFE-carbon core liner ID2,7-AD4,7 fits 3m / EURO central adapter |
| 92 | 27473411 | PTFE-carbon core liner ID2,7-AD4,7 fits 4m / EURO central adapter |
| 92 | 27473511 | PTFE-carbon core liner ID2,7-AD4,7 fits 5m / EURO central adapter |

Welding-torch MIG-MAG water-cooled**900A at 100% duty cycle (CO2) - 800A at 100% duty cycle (mixed gas)**

| Art.-No. | | |
|-----------------|----------|----------------------------------------------------------------|
| 92 | 20406311 | PA-core liner black ID2,0-AD4,0 fits 3m / EURO central adapter |
| 92 | 20406411 | PA-core liner black ID2,0-AD4,0 fits 4m / EURO central adapter |
| 92 | 20406511 | PA-core liner black ID2,0-AD4,0 fits 5m / EURO central adapter |
| 92 | 23476311 | PA-core liner black ID2,3-AD4,7 fits 3m / EURO central adapter |
| 92 | 23476411 | PA-core liner black ID2,3-AD4,7 fits 4m / EURO central adapter |
| 92 | 23476511 | PA-core liner black ID2,3-AD4,7 fits 5m / EURO central adapter |
| 92 | 29476311 | PA-core liner black ID2,9-AD4,7 fits 3m / EURO central adapter |
| 92 | 29476411 | PA-core liner black ID2,9-AD4,7 fits 4m / EURO central adapter |
| 92 | 29476511 | PA-core liner black ID2,9-AD4,7 fits 5m / EURO central adapter |
| N.i. | 20405002 | Brass spiral liner blue L300mm IG fits AD3,9/4,0mm |
| N.i. | 20405001 | Brass spiral liner green L300mm IG fits AD4,7mm |
| 95 | 91905721 | Nipple fits spiral liner EURO central adapter AD 4,5mm |
| 96 | 91906111 | Nipple fits core liner EURO central adapter AD3,9/4,0mm |
| 96 | 91906121 | Nipple fits core liner EURO central adapter AD 4,7mm |
| 97 | 91906131 | O-ring ID3,5-W1,5 fits core liners |
| N.i. | 91906112 | Support tube, brass ID4,4 - AD5,0 - L200mm |

Torch

MHS FRX-5000ws water-cooled (short)

MHS FRX-5000w water-cooled (long)

The factory standard gear is marked in red.



Holch Schweißbrenner GmbH
Bühlstraße 14
D-57080 Siegen

Phone: +49(0)271 387860-11
Telefax: +49(0)271 387860-29
E-Mail: info@holch-siegen.de
Web: www.holch-siegen.de

Welding-torch MIG-MAG water-cooled**500A at 100% duty cycle (CO2) - 450A at 100% duty cycle (mixed gas)**

| Art.-No. | |
|------------------------------------------------------------------------------------------------------------------------------------------------------------------------------------------------------------------------------------------------|-----------------------------------------------------------------------------|
| 50002311 | Torch MHS FRX-5000ws / 3m EURO central adapter (Torch body short) |
| 50002411 | Torch MHS FRX-5000ws / 4m EURO central adapter (Torch body short) |
| 50002511 | Torch MHS FRX-5000ws / 5m EURO central adapter (Torch body short) |
| 50052311 | AUTomatic-torch MHS FRX-5000ws / 3m EURO central adapter (Torch body short) |
| 50001311 | Torch MHS FRX-5000w / 3m EURO central adapter |
| 50001411 | Torch MHS FRX-5000w / 4m EURO central adapter |
| 50001511 | Torch MHS FRX-5000w / 5m EURO central adapter |
| 50051311 | AUTomatic-torch MHS FRX-5000w / 3m EURO central adapter |
| For torches without EURO central-adapter the following prices apply. Please note that for some special machine side connections surcharges may arise, which you will find in the appendix "A" custom made products. | |
| 50002301 | Torch MHS FRX-5000ws / 3m (Torch body short) |
| 50002401 | Torch MHS FRX-5000ws / 4m (Torch body short) |
| 50002501 | Torch MHS FRX-5000ws / 5m (Torch body short) |
| 50052301 | AUTomatic-torch MHS FRX-5000ws / 3m (Torch body short) |
| 50001301 | Torch MHS FRX-5000w / 3m |
| 50001401 | Torch MHS FRX-5000w / 4m |
| 50001501 | Torch MHS FRX-5000w / 5m |
| 50051301 | AUTomatic-torch MHS FRX-5000w / 3m |
| Special lengths for hand- and AUTomatic-torches please notice appendix "B". | |
| Torches with flexible and highly heat resistant cable assemblies available for small surcharges! Please see appendix "B" | |
| pg000001 | Surcharge: Pistol-shape-handle / stabilizer |
| N.i. 91912453 | Heat protection shield for pistol handle, screws included |
| 29004602 | Surcharge: Torch body with custom bending |
| 91900102 | Adapter EURO central adapter fits power source with Dinse central adapter |
| All torch bodies and AUTomatic torch bodies with teflon insulation, nickel coated brazen outer tube with cooling ribs,max. cooling water conduits, very massive power conduit, complete with contact tip holder M8 and fixation sleeve. | |
| 1 | 50002911 Torch body MHS FRX-5000ws (short) |
| 2 | 50001911 Torch body MHS FRX-5000w |
| N.i. | 30405001 Surcharge: with brazen inner tube ID3-AD4mm for aluminium wire |
| N.i. | 50052911 AUTomatic-torch body MHS FRX-5000ws (short) |
| 5 | 50051911 AUTomatic-torch body MHS FRX-5000w |
| Handles complete with switch, screws and ball joint | |
| 10 | 91912535 Ratio-handle 18mm with ball joint |
| 10 | 91912435 Ratio-handle 18mm standard (without ball joint) |
| N.i. | 91912438 Ratio microswitch DC2 also fits RAUCH handle |
| N.i. | 91912439 Push button red for Ratio handle also fits RAUCH handle |
| N.i. | 91912441 Ratio spring fits button Ratio grip handle |
| 11 | 91912102 Industry-handle 18mm with ball joint |
| 11 | 91912331 Industry-handle 18mm standard (without ball joint) |
| N.i. | 91920411 Switch-set fits industry-handle for 16/18/20mm (11 parts) |

Welding-torch MIG-MAG water-cooled**500A at 100% duty cycle (CO2) - 450A at 100% duty cycle (mixed gas)**

| Art.-No. | | |
|----------------------------------------------------------------------------------------------------------------------------------|----------|-----------------------------------------------------------------------------------------|
| N.i. | 91920702 | Screw M3x11,5mm fits Ratio/Industry/RAUCH handle and cable support |
| N.i. | 91920703 | M3 mounting socket fits Ratio/Industry/RAUCH handle and cable support |
| 12 | 91912921 | AUT handle tube, brass-cladded AD38mm for AUT-torch standard |
| 13 | 91912911 | Holding screw M4x6mm fits AUT handle tube |
| 14 | 50191251 | Rubber cable-support RETRO |
| 15 | 91912701 | Spring socket pistol side fits handle without ball joint |
| 16 | 91912704 | Spring socket pistol side fits handle with ball joint |
| 17 | 91912711 | AUT spring socket |
| 19 | 91912501 | Cable support spring pistol-side fits water-cooled torches |
| N.i. | 91912511 | AUT cable support spring (long design) |
| N.i. | 91912521 | AUT suspension spring |
| N.i. | 91912531 | AUT carabiner |
| N.i. | 10089001 | Single stroke button (rubber) |
| 22 | 91902811 | Cable-plug fits industry-handle |
| 23 | 91902901 | Male connector cable-plug for machine side EURO central adapter |
| 24 | 91903001 | Female connector cable-plug fits machine side EURO central adapter |
| 25 | 91902502 | Meter control line flat, 4x0,5mm ² (available on reels 200m) |
| Spare cable-assemblies complete with cable support spring and fittings. Standard or with ball joint - please specify! | | |
| 30 | 09200312 | Spare cable assembly 3m / without EURO central adapter |
| 30 | 09200412 | Spare cable assembly 4m / without EURO central adapter |
| 30 | 09200512 | Spare cable assembly 5m / without EURO central adapter |
| Supply lines and thermo-hoses, superflexible and highly heat resistant please see appendix "C" and "D" | | |
| 31 | 0950a311 | Wire conduit flexible MHS / 3m EURO central adapter (flexible) |
| 31 | 0950a411 | Wire conduit flexible MHS / 4m EURO central adapter (flexible) |
| 31 | 0950a511 | Wire conduit flexible MHS / 5m EURO central adapter (flexible) |
| 32 | 09400311 | ST 80 PVC-NIT power/water cable MHS / 3m EURO central adapter |
| 32 | 09400411 | ST 80 PVC-NIT power/water cable MHS / 4m EURO central adapter |
| 32 | 09400511 | ST 80 PVC-NIT power/water cable MHS / 5m EURO central adapter |
| Supply lines for AUTomatic torches. | | |
| 31 | 0950d311 | AUT wire conduit MHS / 3m EURO central adapter white (hard) |
| 32 | 09400313 | HT 110 rubber fabric hose power/water cable MHS / 3m EURO central adapter |
| Reel goods: Prices are per meter and only applicable if a complete reel is purchased. | | |
| 33 | 41500001 | Meter ST 70 PVC hose ID4,0-W1,5mm black for gas (100m) |
| 34 | 50150001 | Meter ST 80 PVC-NIT fabric hose ID5,0-W1,5mm blue for water (100m) |
| 35 | 50151001 | Meter ST 80 PVC-NIT fabric hose ID5,0-W1,5mm red for water (100m) |
| 36 | 91901001 | Cooling liquid plug nipples EURO |
| N.i. | 91901008 | Closing cap blue fits cooling liquid plug nipples EURO |
| N.i. | 91901009 | Closing cap red fits cooling liquid plug nipples EURO |
| 37 | 25151001 | Meter rubberized fabric protective hose ID25-W1,5mm (40m) |
| 37.1 | 25151311 | Rubberized fabric protective hose ID25-W1,5mm perforated fits 3m / EURO central adapter |

Welding-torch MIG-MAG water-cooled

500A at 100% duty cycle (CO₂) - 450A at 100% duty cycle (mixed gas)

| Art.-No. | | |
|---------------------------------------------------------------------|----------|-----------------------------------------------------------------------------------------|
| 37.1 | 25151411 | Rubberized fabric protective hose ID25-W1,5mm perforated fits 4m / EURO central adapter |
| 37.1 | 25151511 | Rubberized fabric protective hose ID25-W1,5mm perforated fits 5m / EURO central adapter |
| 40 | 91900701 | Terminal nut insulated fits EURO central adapter |
| 41 | 91900201 | Central adapter fixed contact-pins EURO central adapter |
| 41 | 91900206 | Central adapter spring contact-pins EURO central adapter |
| 42 | 91900801 | O-ring ID4-W1mm fits gas-nipple EURO central adapter |
| 43 | 91900901 | Coupling nut IT-M10x1 (rounded edges) fits EURO central adapter |
| 48 | 91901011 | Rubber-hose-fence fits cable support |
| 49 | 91900561 | Cable support machine side (screws included) EURO central adapter |
| N.i. | 91920702 | Screw M3x11,5mm fits Ratio/Industry/RAUCH handle and cable support |
| N.i. | 91920703 | M3 mounting socket fits Ratio/Industry/RAUCH handle and cable support |
| N.i. | 91900601 | Attachment screw M4x6mm fits cable support EURO central adapter |
| 50 | 91912801 | Spring-socket EURO central adapter |
| 51 | 91912601 | Cable support spring fits EURO / ESAB central adapter |
| 62 | fr980301 | Contact tip holder CuCrZr |
| 63 | fr912303 | Gas diffusor |
| 64 | fr912302 | Insulating ring |
| 65 | fr931301 | Fastening sleeve |
| 70 | 10391001 | Contact tip M10-L39mm 1,0 |
| 70 | 10391201 | Contact tip M10-L39mm 1,2 |
| 70 | 10391401 | Contact tip M10-L39mm 1,4 |
| 70 | 10391601 | Contact tip M10-L39mm 1,6 |
| 70 | 10391041 | Contact tip M10-L39mm 1,0 CuCrZr |
| 70 | 10391241 | Contact tip M10-L39mm 1,2 CuCrZr |
| 70 | 10391441 | Contact tip M10-L39mm 1,4 CuCrZr |
| 70 | 10391641 | Contact tip M10-L39mm 1,6 CuCrZr |
| 70 | 103908a1 | Contact tip M10-L39-D10 0,8-A for aluminium wire |
| 70 | 103910a1 | Contact tip M10-L39-D10 1,0-A for aluminium wire |
| 70 | 103912a1 | Contact tip M10-L39-D10 1,2-A for aluminium wire |
| 70.1 | 10401241 | Contact tip M10-L40mm 1,2 CuCrZr |
| 70.1 | 10401441 | Contact tip M10-L40mm 1,4 CuCrZr |
| 70.1 | 10401641 | Contact tip M10-L40mm 1,6 CuCrZr |
| 70.1 | 10402041 | Contact tip M10-L40mm 2,0 CuCrZr |
| 71 | 10821241 | Narrow-gap contact tip M10-L82mm 1,2 CuCrZr |
| 80 | fr930301 | Gas nozzle conical-ID15mm |
| 81 | fr930302 | Gas nozzle conical-ID17,2mm |
| 82 | fr930303 | Gas nozzle cylindric-ID21mm |
| 84 | fr930305 | Narrow-gap gas nozzle AD16-ID13-L41mm |
| Spirals and liners also available in other sizes on inquiry! | | |
| 90 | 20450311 | Guide spiral-line ID2,0-AD4,5 fits 3m / EURO central adapter |
| 90 | 20450411 | Guide spiral-line ID2,0-AD4,5 fits 4m / EURO central adapter |
| 90 | 20450511 | Guide spiral-line ID2,0-AD4,5 fits 5m / EURO central adapter |

Welding-torch MIG-MAG water-cooled

500A at 100% duty cycle (CO₂) - 450A at 100% duty cycle (mixed gas)

| Art.-No. | | |
|----------|----------|-------------------------------------------------------------------|
| 90 | 25450311 | Guide spiral-line ID2,5-AD4,5 fits 3m / EURO central adapter |
| 90 | 25450411 | Guide spiral-line ID2,5-AD4,5 fits 4m / EURO central adapter |
| 90 | 25450511 | Guide spiral-line ID2,5-AD4,5 fits 5m / EURO central adapter |
| 92 | 20393311 | PTFE-carbon core liner ID2,0-AD3,9 fits 3m / EURO central adapter |
| 92 | 20393411 | PTFE-carbon core liner ID2,0-AD3,9 fits 4m / EURO central adapter |
| 92 | 20393511 | PTFE-carbon core liner ID2,0-AD3,9 fits 5m / EURO central adapter |
| 92 | 27473311 | PTFE-carbon core liner ID2,7-AD4,7 fits 3m / EURO central adapter |
| 92 | 27473411 | PTFE-carbon core liner ID2,7-AD4,7 fits 4m / EURO central adapter |
| 92 | 27473511 | PTFE-carbon core liner ID2,7-AD4,7 fits 5m / EURO central adapter |
| 92 | 20406311 | PA-core liner black ID2,0-AD4,0 fits 3m / EURO central adapter |
| 92 | 20406411 | PA-core liner black ID2,0-AD4,0 fits 4m / EURO central adapter |
| 92 | 20406511 | PA-core liner black ID2,0-AD4,0 fits 5m / EURO central adapter |
| 92 | 23476311 | PA-core liner black ID2,3-AD4,7 fits 3m / EURO central adapter |
| 92 | 23476411 | PA-core liner black ID2,3-AD4,7 fits 4m / EURO central adapter |
| 92 | 23476511 | PA-core liner black ID2,3-AD4,7 fits 5m / EURO central adapter |
| 92 | 29476311 | PA-core liner black ID2,9-AD4,7 fits 3m / EURO central adapter |
| 92 | 29476411 | PA-core liner black ID2,9-AD4,7 fits 4m / EURO central adapter |
| 92 | 29476511 | PA-core liner black ID2,9-AD4,7 fits 5m / EURO central adapter |
| N.i. | 20405002 | Brass spiral liner blue L300mm IG fits AD3,9/4,0mm |
| N.i. | 20405001 | Brass spiral liner green L300mm IG fits AD4,7mm |
| 95 | 91905721 | Nipple fits spiral liner EURO central adapter AD 4,5mm |
| 96 | 91906111 | Nipple fits core liner EURO central adapter AD3,9/4,0mm |
| 96 | 91906121 | Nipple fits core liner EURO central adapter AD 4,7mm |
| 97 | 91906131 | O-ring ID3,5-W1,5 fits core liners |
| N.i. | 91906112 | Support tube, brass ID4,4 - AD5,0 - L200mm |

A

**Custom made products
machine side connections**

Art.-No.**for gas-cooled torches**

| | |
|-----|---------------------------------------------------------------------------|
| cl2 | Surcharge: fits Cloos-central adapter gas-cooled |
| cl3 | Surcharge: fits Cloos with swivel nut IT-G3/8" tapered sealing gas-cooled |
| da2 | Surcharge: fits Dalex one on one connection gas-cooled |
| di2 | Surcharge: fits Dinse-central adapter gas-cooled |
| fr1 | Surcharge: fits Fronius-central adapter gas-cooled |
| mg2 | Surcharge: fits Messer central adapter (2) gas-cooled |
| mg5 | Surcharge: fits Messer one on one connection gas-cooled |

for water-cooled torches

| | |
|-----|--------------------------------------------------------------------------------------------------|
| cl4 | Surcharge: fits Cloos-central adapter (Z) coolant conduct through adapter |
| cl5 | Surcharge: fits Cloos central adapter (SZ) coolant conduct outside with snap closing |
| cl6 | Surcharge: fits Cloos one on one connection water-cooled |
| da3 | Surcharge: fits Dalex one on one connection water-cooled |
| fr2 | Surcharge: fits Fronius central adapter coolant conduct through adapter |
| fr3 | Surcharge: fits Fronius central adapter coolant conduct outside with snap closing nipples (EURO) |
| mg6 | Surcharge: fits Messer central adapter (2) water-cooled |
| mg7 | Surcharge: fits Messer one on one connection water-cooled |
| ni4 | Surcharge: fits Nimak one on one connection water-cooled |

Adapter for gas and water-cooled torches with EURO central adapter

| | |
|----------|---------------------------------------------------------------------------|
| 91900102 | Adapter EURO central adapter fits power source with Dinse central adapter |
|----------|---------------------------------------------------------------------------|

B

MIG-MAG

Custom made products

Art.-No.**Excess length welding torches****Hand and AUTomatic torches gas-cooled**

| | |
|----------|-----------------------------------------------------------------|
| 2950040g | Surcharge: Torch with coaxial-cable 16mm ² per meter |
| 2950041g | Surcharge: Torch with coaxial-cable 25mm ² per meter |
| 2950042g | Surcharge: Torch with coaxial-cable 35mm ² per meter |
| 2950043g | Surcharge: Torch with coaxial-cable 42mm ² per meter |
| 2950044g | Surcharge: Torch with coaxial-cable 50mm ² per meter |

Hand-Welding torches water-cooled

| | |
|----------|--------------------------------------------------------|
| 29000600 | Surcharge: water-cooled torches (all models) per meter |
|----------|--------------------------------------------------------|

AUTomatic welding torches water-cooled

| | |
|----------|--------------------------------------------------------------------------|
| 29500400 | Surcharge: AUTomatic-welding torches water-cooled (all models) per Meter |
|----------|--------------------------------------------------------------------------|

Highly heat resistant and flexible cable assemblies**HT 105 PVC-NIT fabric hose**

| | |
|----------|--------------------------------------|
| 29000061 | Surcharge: MIG-MAG water-cooled / 3m |
| 29000062 | Surcharge: MIG-MAG water-cooled / 4m |
| 29000063 | Surcharge: MIG-MAG water-cooled / 5m |

HT 110 rubber-fabric hose

| | |
|----------|--------------------------------------|
| 29000091 | Surcharge: MIG-MAG water-cooled / 3m |
| 29000092 | Surcharge: MIG-MAG water-cooled / 4m |
| 29000093 | Surcharge: MIG-MAG water-cooled / 5m |

HT 130 TPE fabric hose

| | |
|----------|--------------------------------------|
| 29000071 | Surcharge: MIG-MAG water-cooled / 3m |
| 29000072 | Surcharge: MIG-MAG water-cooled / 4m |
| 29000073 | Surcharge: MIG-MAG water-cooled / 5m |

AUTomatic welding torch with control line

| | |
|----------|------------------------------------------------------------------------------------------------|
| 29000052 | Surcharge: AUTomatic-torch additionally with switch & control line (without control line plug) |
|----------|------------------------------------------------------------------------------------------------|

Leather ID26mm high flexible black

| | |
|----------|---------------------------------------------------------------|
| 29004013 | Surcharge: MIG-MAG with leather protective hose (first meter) |
|----------|---------------------------------------------------------------|

Custom made torch-bodies

| | |
|----------|------------------------------------------------|
| 29004602 | Surcharge: Torch body with custom bending |
| 29003201 | Surcharge: Custom made torch bodies by inquiry |

Info:

For torches and cable assemblies HT105, HT110 and HT130 rubber fabric hoses are used for gas and water. The wire conduit hose is available in several designs. Please state the required design in your order:

| | | |
|-----------------------------------------|---------------|-------|
| 1A - Wire conduit (PE) ID6,5 - W1,75 mm | flexible | green |
| 1B - Wire conduit (PE) ID6,0 - W2,0 mm | flexible | white |
| 1C - Wire conduit (PE) ID6,0 - W1,5 mm | superflexible | white |
| 1D - Wire conduit (PA) ID6,0 - W2,0 mm | hard | white |
| 1E - Wire conduit (PA) ID6,0 - W1,0 mm | hard | black |
| 1F - Wire conduit (PU) ID6,0 - W1,0 mm | superflexible | grey |

C

Power/Water cables

Art.-No.**ST 80 PVC-NIT fabric hose ID9,0-W1,8mm**

| | |
|----------|-------------------------------------------------------------------------------|
| 09400311 | ST 80 PVC-NIT power/water cable MHS / 3m EURO central adapter |
| 09400411 | ST 80 PVC-NIT power/water cable MHS / 4m EURO central adapter |
| 09400511 | ST 80 PVC-NIT power/water cable MHS / 5m EURO central adapter |
| 09400301 | ST 80 PVC-NIT power/water cable MHS / 3m please state machine side connection |
| 09400401 | ST 80 PVC-NIT power/water cable MHS / 4m please state machine side connection |
| 09400501 | ST 80 PVC-NIT power/water cable MHS / 5m please state machine side connection |

HT 105 PVC-NIT fabric hose ID9,0-W1,8mm

| | |
|----------|--------------------------------------------------------------------------------|
| 09400314 | HT 105 power/water cable MHS / 3m EURO central adapter |
| 09400414 | HT 105 power/water cable MHS / 4m EURO central adapter |
| 09400514 | HT 105 power/water cable MHS / 5m EURO central adapter |
| 09400304 | HT 105 PVC-NIT power/water cable MHS / 3m please state machine side connection |
| 09400404 | HT 105 PVC-NIT power/water cable MHS / 4m please state machine side connection |
| 09400504 | HT 105 PVC-NIT power/water cable MHS / 5m please state machine side connection |

HT 110 rubber-fabric hose ID9,0-W1,8mm

| | |
|----------|-------------------------------------------------------------------------------------------|
| 09400313 | HT 110 rubber fabric hose power/water cable MHS / 3m EURO central adapter |
| 09400413 | HT 110 rubber fabric hose power/water cable MHS / 4m EURO central adapter |
| 09400513 | HT 110 rubber fabric hose power/water cable MHS / 5m EURO central adapter |
| 09400303 | HT 110 rubber fabric hose power/water cable MHS / 3m please state machine side connection |
| 09400403 | HT 110 rubber fabric hose power/water cable MHS / 4m please state machine side connection |
| 09400503 | HT 110 rubber fabric hose power/water cable MHS / 5m please state machine side connection |

HT 130 TPE fabric hose ID9,0-W2,0 mm

| | |
|----------|----------------------------------------------------------------------------|
| 09400315 | HT 130 TPE power/water cable MHS / 3m EURO central adapter |
| 09400415 | HT 130 TPE power/water cable MHS / 4m EURO central adapter |
| 09400515 | HT 130 TPE power/water cable MHS / 5m EURO central adapter |
| 09400305 | HT 130 TPE power/water cable MHS / 3m please state machine side connection |
| 09400405 | HT 130 TPE power/water cable MHS / 4m please state machine side connection |
| 09400505 | HT 130 TPE power/water cable MHS / 5m please state machine side connection |

ST 80 PVC-NIT:

- Fabric hose 80° Shore
- Inner hose black, fine tension knit nylon-fabric
- best adhesion between inner- und outer hose, good pressure stability

HT 105 PVC-NIT:

- fabric hose inside 70°/outside 85° Shore
- Innerhose red, highly heat resistant
- Inner hose black, fine tension knit nylon-fabric
- best adhesion between inner- und outer hose, good pressure stability
- extremely flexible at 20°C and more due to its PVC-NIT inner- and outer hose

HT 110 Rubberfabric hose:

- Rubber hose black 75° Shore
- Very robust outer fabric, 100% covering outer weaving
- good adhesion of fabric due to fixation on the inner hose
- flexible at all temperatures, highly heat resistant

HT 130 TPE:

- Fabric hose
- Inner hose red fine tension knit nylon-fabric
- good pressure stability
- flexible at all temperatures, highly heat resistant

D

Wire conduits

Art.-No.**ID6,5-W1,75 mm (PE) green (flexible)**

| | |
|----------|-----------------------------------------------------------------------------|
| 0950a311 | Wire conduit flexible MHS / 3m EURO central adapter (flexible) |
| 0950a411 | Wire conduit flexible MHS / 4m EURO central adapter (flexible) |
| 0950a511 | Wire conduit flexible MHS / 5m EURO central adapter (flexible) |
| 0950a301 | Wire conduit MHS / 3m please state machine side connection green (flexible) |
| 0950a401 | Wire conduit MHS / 4m please state machine side connection green (flexible) |
| 0950a501 | Wire conduit MHS / 5m please state machine side connection green (flexible) |

ID6,0-W2,0 mm (PE) white (flexible)

| | |
|----------|-----------------------------------------------------------------------------|
| 0950b311 | Wire conduit flexible MHS / 3m EURO central adapter (flexible) |
| 0950b411 | Wire conduit flexible MHS / 4m EURO central adapter (flexible) |
| 0950b511 | Wire conduit flexible MHS / 5m EURO central adapter (flexible) |
| 0950b301 | Wire conduit MHS / 3m please state machine side connection white (flexible) |
| 0950b401 | Wire conduit MHS / 4m please state machine side connection white (flexible) |
| 0950b501 | Wire conduit MHS / 5m please state machine side connection white (flexible) |

ID6,0-W1,5 mm (PE) white (super flexible)

| | |
|----------|-----------------------------------------------------------------------------------|
| 0950c311 | Wire conduit MHS / 3m EURO central adapter white (super flexible) |
| 0950c411 | Wire conduit MHS / 4m EURO central adapter white (super flexible) |
| 0950c511 | Wire conduit MHS / 5m EURO central adapter white (super flexible) |
| 0950c301 | Wire conduit MHS / 3m please state machine side connection white (super flexible) |
| 0950c401 | Wire conduit MHS / 4m please state machine side connection white (super flexible) |
| 0950c501 | Wire conduit MHS / 5m please state machine side connection white (super flexible) |

ID6,0-W2,0 mm (PA) white (hard)

| | |
|----------|-----------------------------------------------------------------------------|
| 0950d311 | AUT wire conduit MHS / 3m EURO central adapter white (hard) |
| 0950d411 | AUT wire conduit MHS / 4m EURO central adapter white (hard) |
| 0950d511 | AUT wire conduit MHS / 5m EURO central adapter white (hard) |
| 0950d301 | AUT wire conduit MHS / 3m please state machine side connection white (hard) |
| 0950d401 | AUT wire conduit MHS / 4m please state machine side connection white (hard) |
| 0950d501 | AUT wire conduit MHS / 5m please state machine side connection white (hard) |

ID6,0-W1,0 mm (PA) black (hard)

| | |
|----------|-------------------------------------------------------------------------|
| 0950e311 | Wire conduit hard MHS / 3m EURO central adapter (hard) |
| 0950e411 | Wire conduit hard MHS / 4m EURO central adapter (hard) |
| 0950e511 | Wire conduit hard MHS / 5m EURO central adapter (hard) |
| 0950e301 | Wire conduit MHS / 3m please state machine side connection black (hard) |
| 0950e401 | Wire conduit MHS / 4m please state machine side connection black (hard) |
| 0950e501 | Wire conduit MHS / 5m please state machine side connection black (hard) |

ID6,0-W1,0 mm (PU) grey (super flexible)

| | |
|----------|----------------------------------------------------------------------------------|
| 0950f311 | Wire conduit MHS / 3m EURO central adapter grey (super flexible) |
| 0950f411 | Wire conduit MHS / 4m EURO central adapter grey (super flexible) |
| 0950f511 | Wire conduit MHS / 5m EURO central adapter grey (super flexible) |
| 0950f301 | Wire conduit MHS / 3m please state machine side connection grey (super flexible) |
| 0950f401 | Wire conduit MHS / 4m please state machine side connection grey (super flexible) |
| 0950f501 | Wire conduit MHS / 5m please state machine side connection grey (super flexible) |

E

Reel Goods

Art.-No.**Reel goods:**

Prices are per meter and only applicable if a complete reel is purchased.

Reel goods for power/water cables - highly heat resistant and flexible

| | |
|----------|------------------------------------------------------|
| 91800001 | Meter ST 80 PVC-NIT fabric hose ID9,0-W1,8mm (100m) |
| 91800002 | Meter HT 105 PVC-NIT fabric hose ID9,0-W1,8mm (100m) |
| 85180001 | Meter HT 110 rubber fabric hose ID9,0-W1,8mm (100m) |
| 92002005 | Meter HT 130 TPE fabric hose ID9,0-W2,0mm (100m) |

Reel goods for wire conduits - hard, flexible and super flexible

| | |
|----------|------------------------------------------------------------------|
| 65175001 | Meter wire conduit (PE) ID6,5-W1,75mm / green flexible (100m) |
| 60200011 | Meter wire conduit (PE) ID6,0-W2,0mm / white flexible (100m) |
| 60150001 | Meter wire conduit (PE) ID6,0-W1,5 / white super flexible (100m) |
| 60200001 | Meter wire conduit (PA) ID6,0-W2,0mm / white hard (100m) |
| 61000001 | Meter wire conduit (PA) ID6,0-W1,0mm / black hard (100m) |
| 61000002 | Meter wire conduit (PU) ID6,0-W1,0 / grey super flexible (100m) |

Reel goods for gas und water - highly heat resistant and flexible

| | |
|----------|--------------------------------------------------------------------|
| 51700001 | Meter HT 110 rubber fabric hose ID5,0-W1,7mm black for gas (100m) |
| 51700002 | Meter HT 110 rubber fabric hose ID5,0-W1,7mm blue for water (100m) |
| 51700003 | Meter HT 110 rubber fabric hose ID5,0-W1,7mm red for water (100m) |

F

Sundries and tools

| Art.-No. | |
|-----------------|--------------------------------------------------------------|
| 75e00002 | Hose clip 7,5-E |
| 80e00001 | Hose clip 8,0-E |
| 87e00001 | Hose clip 8,7-E |
| 95e00001 | Hose clip 9,5-E |
| 100e0001 | Hose clip 10,0-E |
| 105e0001 | Hose clip 10,5-E |
| | |
| 9191730n | Instant glue VA-20 inviscid |
| 9191740n | Instant glue VA-1500 viscous |
| | |
| 9191720n | Contact tip wrench SW 8 massive, nickel plated with key ring |
| 9191721n | Contact tip wrench flat-steel SW 5,6,8,10,12 |
| 91917211 | Contact tip and contact tip holder wrench RAUCH SW8/SW11 |

Holch Schweißbrenner GmbH

Bühlstraße 14
57080 Siegen

Germany

Phone : + 49 (0) 271 387860 - 11 (sale)

Fax : + 49 (0) 271 387860 - 29

E - Mail : [info@holch - siegen.de](mailto:info@holch-siegen.de)

Web : [www. holch - siegen.de](http://www.holch-siegen.de)