

# OCTOPUS

## CTS



**ITW Mima**

Packaging Systems

# New economical solution to wrap pallets requiring top sheet

## OCTOPUS 1800 CTS

**Scissor action load stabilizer** is recommended for secure top sheet positioning. It also supports light products during wrapping. Integrated top sheet blowing unit guarantees splash/dust proof wrapping result.



**Top sheet device** is integrated inside into the wrapping unit of the Octopus

In the end of the wrapping cycle, the stretch film layers are seamed together.



Top sheet reel loading takes place on floor level.



The Power Pre Stretch film carriage feeds the film evenly with a pre-stretch factor up to 300 %. Stepless adjustable secondary stretching ensures optimum wrapping of a wide range of products.

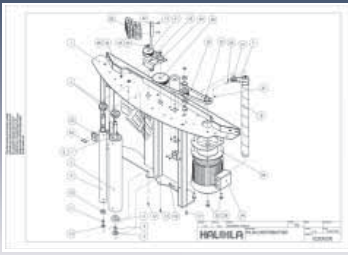


**The Octopus CTS** is a fully automatic wrapping machine incorporating the latest technology and the famous Octopus ring type method. With integrated top sheet device in Octopus CTS, you can make real splash proof wrapping. Octopus CTS offers more cost-effective solution than rotating arm or rotating table machine, when top sheet is required.

The wrapping film reel is suspended from a ring and it revolves around the pallet. The ring is raised and lowered according to the wrapping program. The pallet remains stationary, which makes the wrapping of unstable and "lightweight" products considerably easier.

There are no centrifugal forces to cause stress or strain on the load or on the equipment. As the ring can be accurately positioned in the vertical direction, wrapping can be started and finished at any height required. The Octopus wraps down to 7 cm of the floor or top of the conveyor to ensure that the finished package is tight, strong and secure.

# ON-LINE Documentation



Customer specified documentation including 3D drawings and part lists are now available on the internet.

Control cabinet is fixed to the machine frame.



HMI offers easy interface to operate the machine with up to four languages.



## Every product is specific... but our standard wrapping cycles cover all these specific needs



Banderole wrapping



Single wrapping



Dust / splash proof wrapping with top sheet



Double wrapping

1 Process study  
Test center



2 Films



3 Machines



4 After-sales  
Service



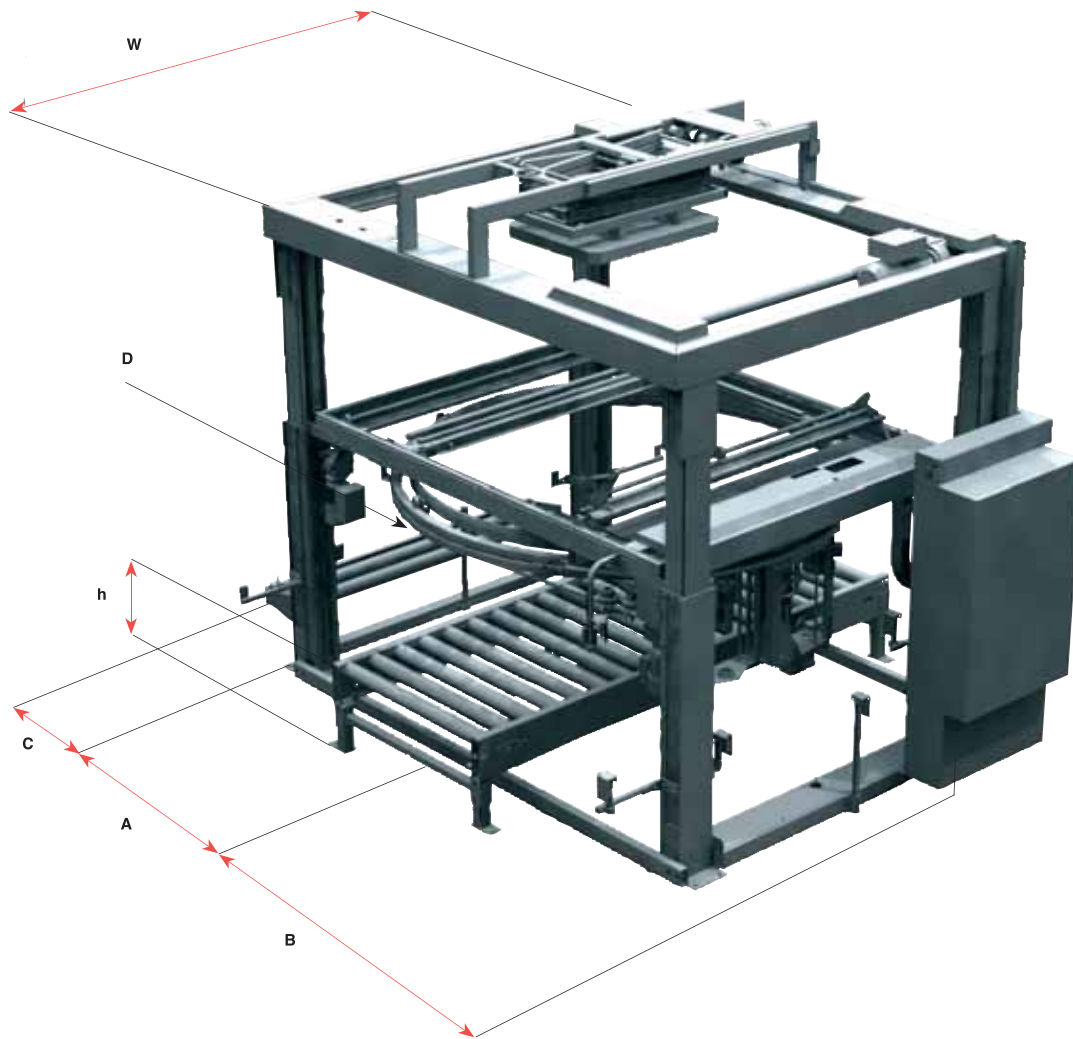
5 Process control



# 5

## The ITW Mima Packaging Systems' solution

The global solution offered by ITW Mima Packaging Systems is the result of a 5-phase process. Our Test center analyses the characteristics of the customer's pallet to determine the optimal solution, i.e. the most appropriate film and a machine integrating the most relevant parameters. ITW Mima Packaging Systems' engineering department then installs the equipment, trains the end-user and guarantees maintenance services. Follow-up monitoring of the customer process guarantees parameter maintenance over time.



## OCTOPUS 1800 CTS

### TECHNICAL SPECIFICATION

#### Capacity:

up to 70 pallets/hour  
depending on pallet height,  
wrapping program and conveyor  
speed

#### Load dimensions (mm):

**Max. pallet height:** 2400 (on 500 mm high conveyor)

**Max. pallet diagonal:** 1800

**Transport dimensions (mm):** 4100 x 2500 x 2860 (L x W x H)

1550 kg

**Stretch film reel width:** 500 mm

**Max. diameter:** 300 mm

**Core diameter:** 76 mm

**Stretch film thickness:** 17 – 30 µm

**Top sheet film reel max. width:** 1800 mm

**Top sheet film reel max diameter:** 300 mm

**Max. power requirement:** 5.0 kW

**Voltage:** 3x380 VAC/50 Hz,  
3x400 VAC/50 Hz,  
3x415 VAC/50 Hz

**Control Voltage:** 24 VDC

**Compressed air:** 0.6 Mpa, 9 l/cycle

**Noise level:** < 74 dB (A)

#### Machine dimensions/mm:

A	B	C	D	W	h
1430	2210	400	2470	2380	min.0