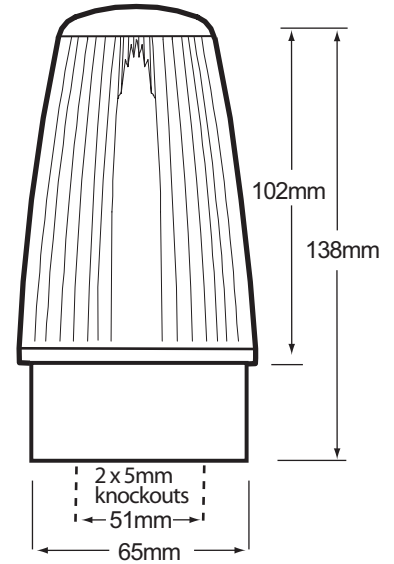




Visual Signals STATIC FILAMENT BEACONS



Industrial Static Filament Beacons > SF125 Series

Product overview

The SF125 series is suitable for security, process control & generally light industrial signalling applications.

These beacons are of the Static mode type (single stage alarm).

Once the beacon is energised the incandescent lamp will stay permanently on. An advantage of

this type of beacon is that it can be controlled via a remote source (ie control panel / plc etc) giving the beacon greater flexibility and offering a (flashing) second stage alarm.

The design allows for termination inside the enclosure through the base. The SF125 series is the most economical beacon in the Moflash range and is ideal for low cost, local signalling applications.

SF125 Series > Ordering Information

Code No:	Voltage:	Light Source:	Current:
SF125-80	12v Ac/Dc ~	Ba15d x 21w	1.75 A
SF125-81	24v Ac/Dc ~	Ba15d x 21w	0.88 A
SF125-82	115v Ac ~	Ba15d x 15w	0.13 A
SF125-83	230v Ac ~	Ba15d x 15w	0.07 A

ADD THE FOLLOWING LENS CODES TO THE PRODUCT WHEN ORDERING



Features

- Continuously rated
- Suitable for surface, conduit box or wall mounting
- Optional wall bracket & guard available - see accessories
- 2 point fix
- 360° light output around the vertical axis
- 180° light output above the horizontal axis
- Dustproof and Weatherproof

Material

UV Stable Polycarbonate Lens
UV Stable ABS Plastic Base

Kg 0.17

50/60 **Hz**

°C -25+55

IP 65



APPROVALS and
CONFORMITIES

