

BALTOGRAPH TSD160/3



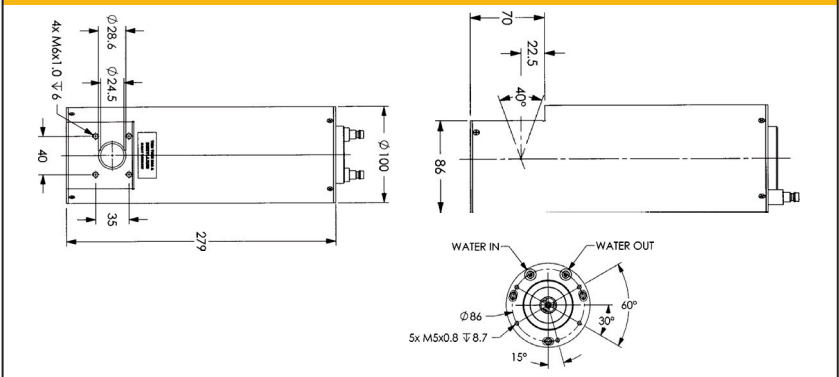
Max high voltage:	160 kV
Nominal power:	640 / 640
Focal spot size (EN12543):	1 - 1
Beam angle:	40°
Target angle:	20°
Inherent Filtration (mm):	0,8 Be
Anode cooling type:	Water
Cooling flow rate:	4l/min
Leakage:	2,5mSv/h@1m
Max current:	15 / 15 mA
Weight :	8 kg
Tubehead:	Metal Ceramic

The TSD160/3 is a Monopolar tube designed for radiology installations or for applications where working cycle is extremely important. Indeed, the tube is mounted with two identical small size filaments adapted to the radiography or radiology of light alloys, composites or small steel thicknesses. One filament can be considered as a spare of the other one and due to the fact that sizes are identical, can replace a broken filament without the need of re-qualification of the technique or a change in the parameters.

The outside diameter of the housing is barely 100 mm which will ensure that the tube can be inserted even in tiny spaces. The tube shielding is internal and reduces the radiation leakage to less than 1 R/h @ 1 m as required by International standards. In and out fluid inlets are mounted with universal connectors while the HV plug cone is a R24.

This tube can be used with all brands of generators provided that the load curve can be adapted. See our specialists if you intend to connect this tube to another unit than a BALTEAU.

MECHANICAL DRAWING



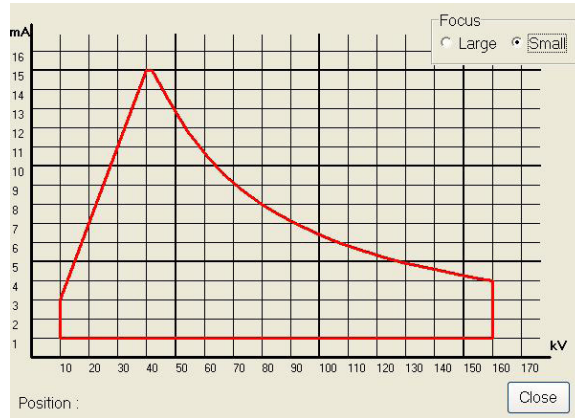
Specifications

Max. High voltage	kV	160	Nominal power	W	640/640
Tube type		Metal Ceramic	Inherent filtration	mm	0,8 Be
Beam angle		40°	Target angle		20°
Cooling mode		Water	Leakage *	mSv/h @1m	2,5
HV Connector		R24	Cooling flow rate	l/min	4
Part number		04840190	Weight	Kg	8

Small Focal			Large Focal		
Max. Current @ kV Max.	mA	4	Max. Current @ kV Max.	mA	4
Focal spot EN12543	d	1	Focal spot EN12543	d	1
Max. Current	mA	15	Max. Current	mA	15

* Leakage radiation max at 1m in mSv/h at nominal kV

Load curves



SMALL FOCAL



LARGE FOCAL

Load curves are indicative as they display the theoretical capacity of the target that may be modified by the HV generator connected and/or by user's settings. Please consult our engineers for up to date information and data related to your generator.

STANDARD EQUIPMENT

Part designation

Fittings for water hose connections d=8 and d=12 mm

OPTIONAL ACCESSORIES

Part designation

- Quick flanges with key
- Tube Accessories Support
- Lead shutter
- Four legs stand
- Tube collimator

Contact details

Balteau NDT

Rue Voie de Liège, 12
B-4681 Hermalle Sous Argenteau
Belgium

www.balteau.com
balteau@balteau.com
Tel. +32 (0) 4 374 75 75
Fax +32 (0) 4 374 75 85

Distributed by:

