

Geared potentiometer GP03/1



SIKO GmbH

Address
 Weihermattenweg 2
 79256 Buchenbach

Telephone
 +49 7661 394-0

Fax
 +49 7661 394-388

eMail
 info@siko.de
Internet
 www.siko-global.com

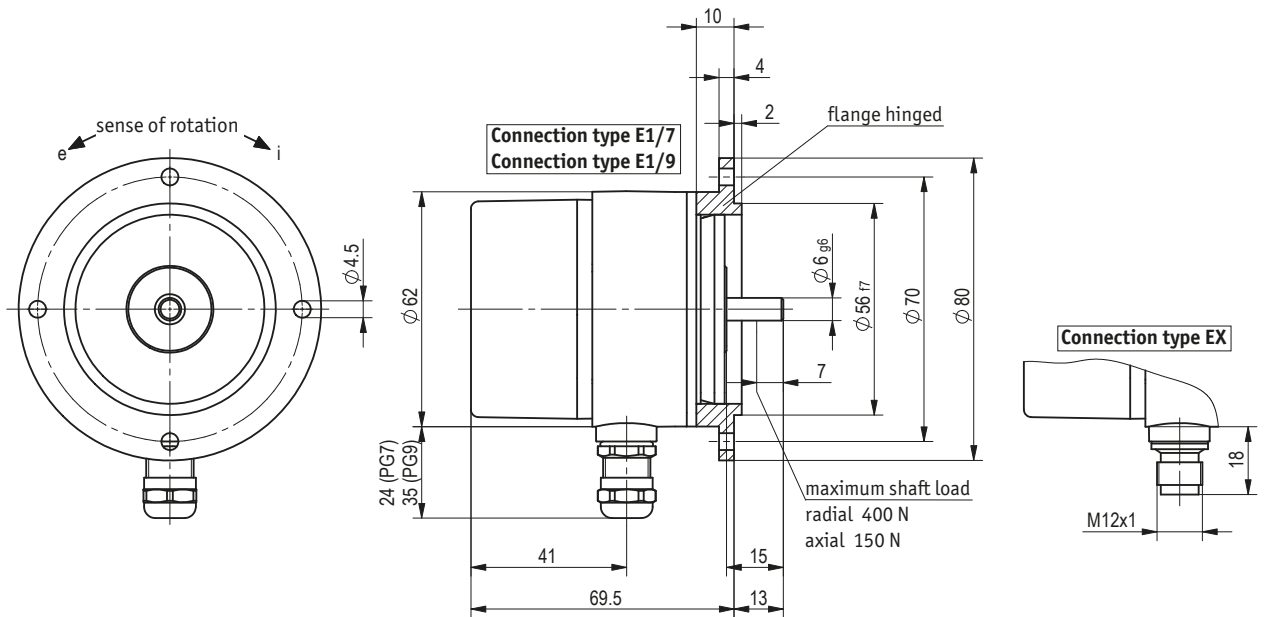
Features:

- solid shaft 6 mm
- adaptation to various measurement distances thanks to the broad range of available gear ratios
- compact design
- integrated slip clutch for potentiometer protection
- high protectiontype

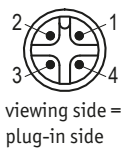
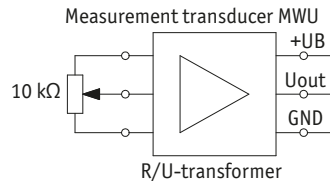
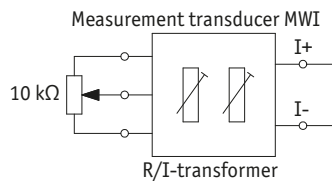
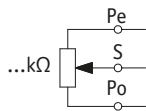
Feature	Order Text	Additional information
Gear ratio	0,2 ... 256 A	
Drive shaft	V/6 B Solid shaft ø	
Type of connection	E1/7 C Cable gland PG7 E1/9 Cable gland PG9 EX for connector M12	
Potentiometer type	01 D 1 filament (P05, P10) 02 10 filament/wire (P01, P05, P10) 03 10 filament (P01, P05, P10)	
Analog output	MWI E Measurement transducer 4 ... 20 mA MWU Measurement transducer 0 ... 10 V P01 Potentiometer 1 kOhm P05 Potentiometer 5 kOhm P10 Potentiometer 10 kOhm	
Counting direction	i F right rising (only with MWI or MWU) e left rising (only with MWI or MWU)	

Your ordering: GP03/1 - A - B - C - D - E - F

Geared Potentiometer GP03/1



without Measurement transducer



without Measurement transducer

Signal	Po	Pe	S	nc
E1 (terminal)	3	1	2	
EX (connector pin)	1	2	3	4

Measurement transducer MWI

Signal	I+	I-	nc	nc
E1 (terminal)	1	2	3	
EX (connector pin)	1	2	3	4

Measurement transducer MWU

Signal	+24 V DC	GND	Uout	nc
E1 (terminal)	1	2	3	
EX (connector pin)	1	2	3	4

Technical data

Mechanical data:	
Shaft	stainless steel
Housing	reinforced plastic / aluminum
Gear ratio	0.2 ... 256
Speed	≤500 rpm; depending on the transmission
Shaft load rating	≤400 N, radial ≤150 N, axial
Potentiometer service life	1 x 10 ⁶ revolution(s)
Electrical data:	
Supply:	
Operating voltage	24 V DC ±20 %, MWI, MWU
Encoder potentiometer:	
Power rating	1 W at 70 °C, potentiometer type 01 2 W at 70 °C, potentiometer types 02, 03
Resistance	1 kΩ, potentiometer types 02, 03 5 kΩ 10 kΩ
Resistance tolerance	±10 %, potentiometer type 01 ±5 %, potentiometer types 02, 03
Standard terminal resistance	0.5 Ω or 1 Ω (the higher value always applies)
Linearity tolerance	±1 %, potentiometer type 01 ±0.25 %, potentiometer types 02, 03
Design	conductive plastic, potentiometer type 01 wire, potentiometer types 02, 03

Technical data

Transducer, power output:	
Output current	4 ... 20 mA, at ≤500 Ω load
Transducer, voltage output:	
Output voltage	0 ... 10 V
System data:	
Measuring range	340° ±5° (mechanical full-length), potentiometer type 01 3600° +10°, potentiometer types 02, 03
Ambient conditions:	
Ambient temperature	-20 ... 80 °C
Relative humidity	condensation inadmissible
EMC	EN 61000-6-2; interference resistance / immision EN 61000-6-4; emitted interference / emission
Protection category	IP65; EN 60529
Accessory	83419 Mating connector 4 pins; circular cableconnector; M12