

## Manually controlled Valves

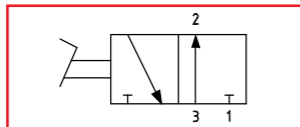
### 3/2-ways foot interruptor FUB

#### Description

3/2-ways valve with spring return as foot interruptor. As precaution against accidental operation the foot interruptor is equipped with a safety hood. In the initial position the valve is set on „suction“ and ventilates on actuation.

#### Application

- vacuum working stands
- stationary vacuum clamping devices



Switching diagram FUB



FUB-R1/4

#### Article number

Type		suitable ventilation filter	
FUB-1/4	1.51.1.0001	BFS-R1/4	1.53.1.0013

#### Technical data

Type	Pressure range (bar)	Nominal width (mm)	Flow rate		Temperature (°C)	Weight (kg)
			(m³/h)	(l/s)		
FUB-1/4	-1 ... 0	7	6	1,67	0 ... +60	2,5

# FEZER

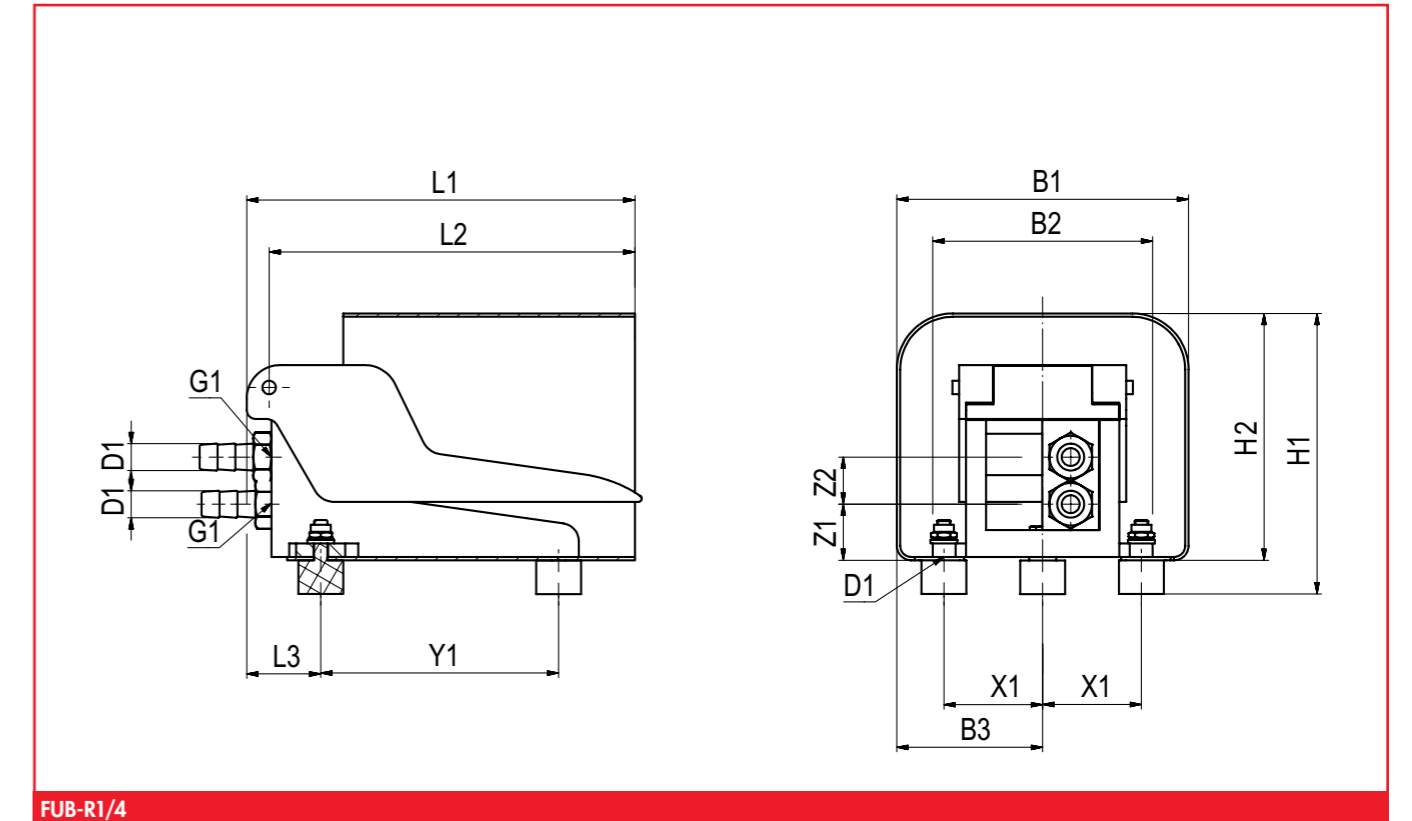
Simply move more.

## Manually controlled Valves

### 3/2-ways foot interruptor FUB

# FEZER

Simply move more.



FUB-R1/4

#### Dimensions

Type	L1	L2	L3	B1	B2	B3	H1	H2	D1	G1	X1	Y1	Z1	Z2
FUB-1/4	181	171	33	130	98	65	125	114	12	G1/4	44	106	23	21