

6100-6105

REACTION TORQUE METERS (HIGH CAPACITIES)

Universal non-rotating torque meters combining accuracy and sturdiness.



Model 6105 - 10 000 N·m



Features

- o Easy to install, compact design
- o Protection class: IP65
- o Material: stainless steel (6100), nickel-plated steel (6105)
- o Cable length: 3 m (other lengths available on request)
- o Also available as standard reference torque meters

Most popular options



Ex i



Application(s)

SENSY's torque meters 6100-6105 are perfectly designed for the following applications:

- Torque measurement on machines,
- Servo control or torque limitation industrial process,
- Torque wrench calibration,
- Torque measurement in laboratories.

Capacities

6100 - 6105: 300 - 500 - 1000 - 2000 - 5000 - 10 000 N·m

Higher capacity on request

Specifications	0.25 %	
Combined error (non-linearity + hysteresis)	<± 0.25	% F.S.*
Repeatability error	<± 0.1	% F.S.*
Creep error over 30 min.	<± 0.1	% F.S.*
Zero shift after loading	<± 0.025	% F.S.*
Reference temperature	23	°C
Compensated temperature range	-10...+45	°C
Service temperature range	-25...+70	°C
Storage temperature range	-50...+85	°C
Temperature coefficient of the sensitivity	<± 0.05	% F.S./10°C
Temperature coefficient of zero signal	<± 0.035	% F.S./10°C
Zero balance	± 0.02	mV/V
Nominal sensitivity	1.5	mV/V
Sensitivity tolerance	<± 0.3	%
Input resistance	350 ± 2	ohm(s)
Output resistance	350 ± 2	ohm(s)
Insulation resistance (50 V)	> 5000	Mohm(s)
Reference excitation voltage	10	VDC
Permissible nominal range of excitation voltage	3...12	VDC
Safe load limit	130	% F.S.*
Breaking load	>300	% F.S.*
Permissible dynamic loading	50	% F.S.*

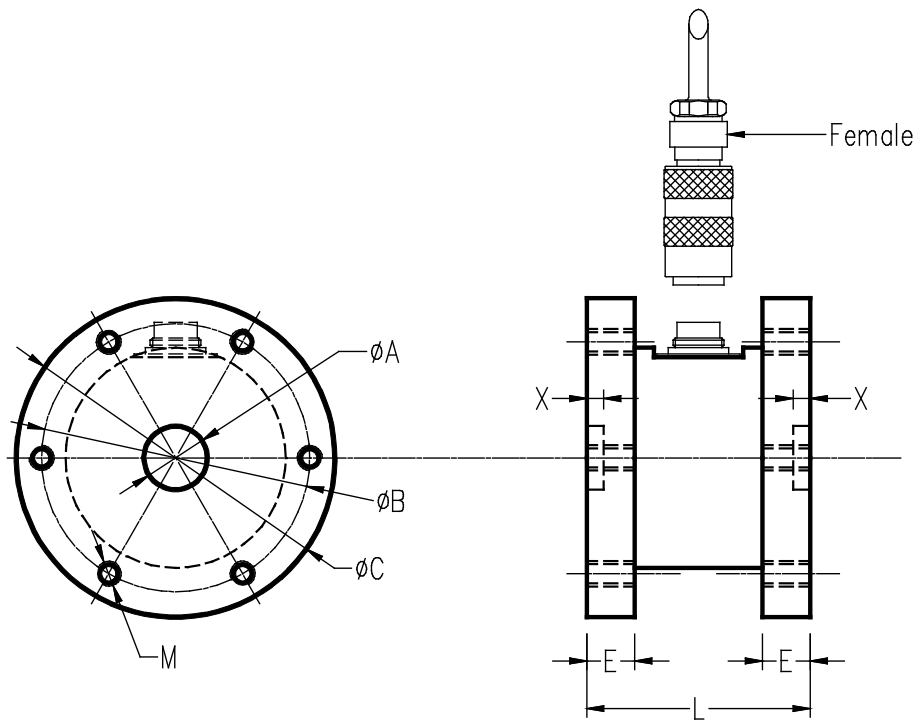
* F.S. : Full Scale.

Specifications subject to change without notice.



ISO 9001 certified

6100-6105 > STANDARD DIMENSIONS



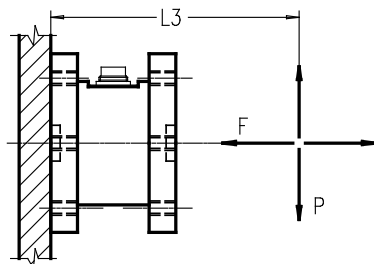
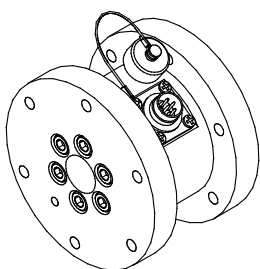
Ref. Item*	Capacities	$\varnothing A$	$\varnothing B$	$\varnothing C$	E	L	M	X	F max (kN)	L3xP max (N x m)	Torsional stiffness (kN·m/rad)	Weight (kg)
610x-A	300 - 500 N·m	20 H7	84	99	15	70	M8 (6x60°)	10	7 - 12	80 - 170	170 - 215	2.2
610x-B	1 - 2 - 5 kN·m	20 H7	127	149	18	100	M12 (8x45°)	15	18 - 35 - 55	330 - 700 - 1300	220 - 600 - 1300	7.5
610x-C	10 kN·m	20 H7	150	179	25	120	M16 (8x45°)	15	84	2000	3400	12.8

*x=Material: 6100 - stainless steel; 6105 - nickel-plated steel

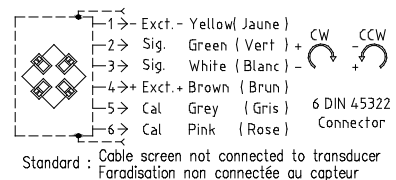
→ Other capacities and dimensions available on request

Dimensions in mm

Other views



Wiring



Load direction

