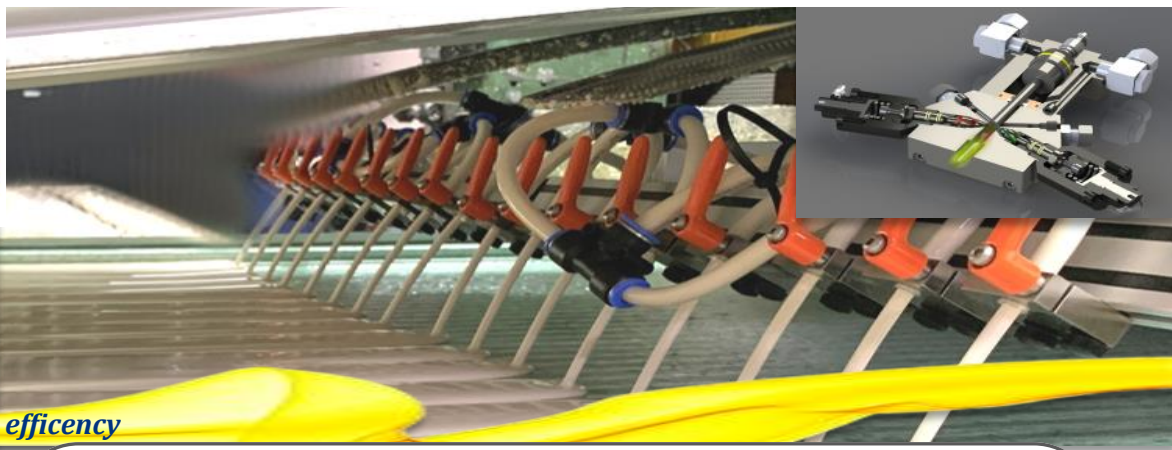


# POFi

ENGINEERING



Expert in Mixing and dosing efficiency



## HP MIXING HEAD

FOR CONTINUOUS SANDWICH PANELS LINES

### CONCEPT:

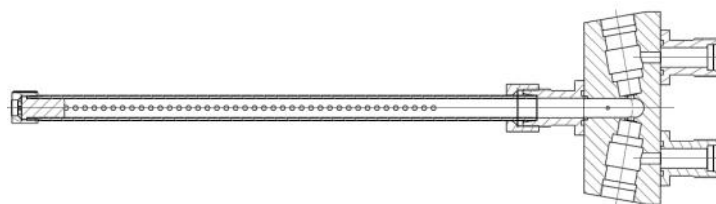
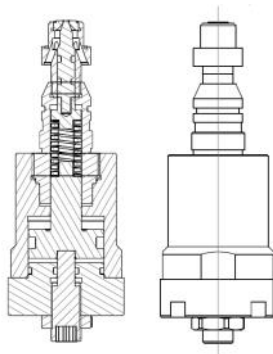
The mixing heads for solid lines are the result of many years of experience in the field of sandwich panel.

The injectors inclined rearwardly allow increases the turbulence and thus improve mixing.

The set is made of stainless steels and treated for long life.

Production costs are optimized to be able to offer this mixing head at a great price.

Produced in Korea, we have all parts in stock at our premises.



**Better mixing**  
**Better foam quality**  
**Better prices**

### USEFUL INFORMATION

Our offices are open Monday to Friday from 8am to 18pm. Outside these hours thank you for contacting us by e-mail, we will respond quickly.

### POFI-ENGINEERING SA

Société anonyme au capital de 111 300 €

### CONTACT

21 RUE DE LUXEMBOURG  
L-5752 FRISANGE  
Phone: +352 26 67 08 71  
Fax : +352 27 68 73 93

### LEGAL INFORMATION

R.C. Luxembourg B 118719  
Autorisation N° 136879/2  
VAT N° LU 22332726  
Banque :ING  
IBAN : LU02 0141 0443 4790 0000 / BIC  
CELLULL



MODEL	A1	A2	A3	A4	A5	A6	A7	A8	A9	A10	A11
DHS-06NA	286	104	130	263	431	40	Ø12 / Ø9	98	34.5	78	162
DHS-08VN	330	106	70.5	180	435.5	30	Ø16 / Ø12			18	220
DHS-10NA	364.5	104	130	267	508	40	Ø16 / Ø12	98	34.5	78	234
DHS-12NA	364.5	104	130	267	510	40	Ø16 / Ø12	108	34.5	78	234

**USEFUL INFORMATION**

Our offices are open Monday to Friday from 8am to 18pm. Outside these hours thank you for contacting us by e-mail, we will respond quickly.

**POFi-ENGINEERING SA**

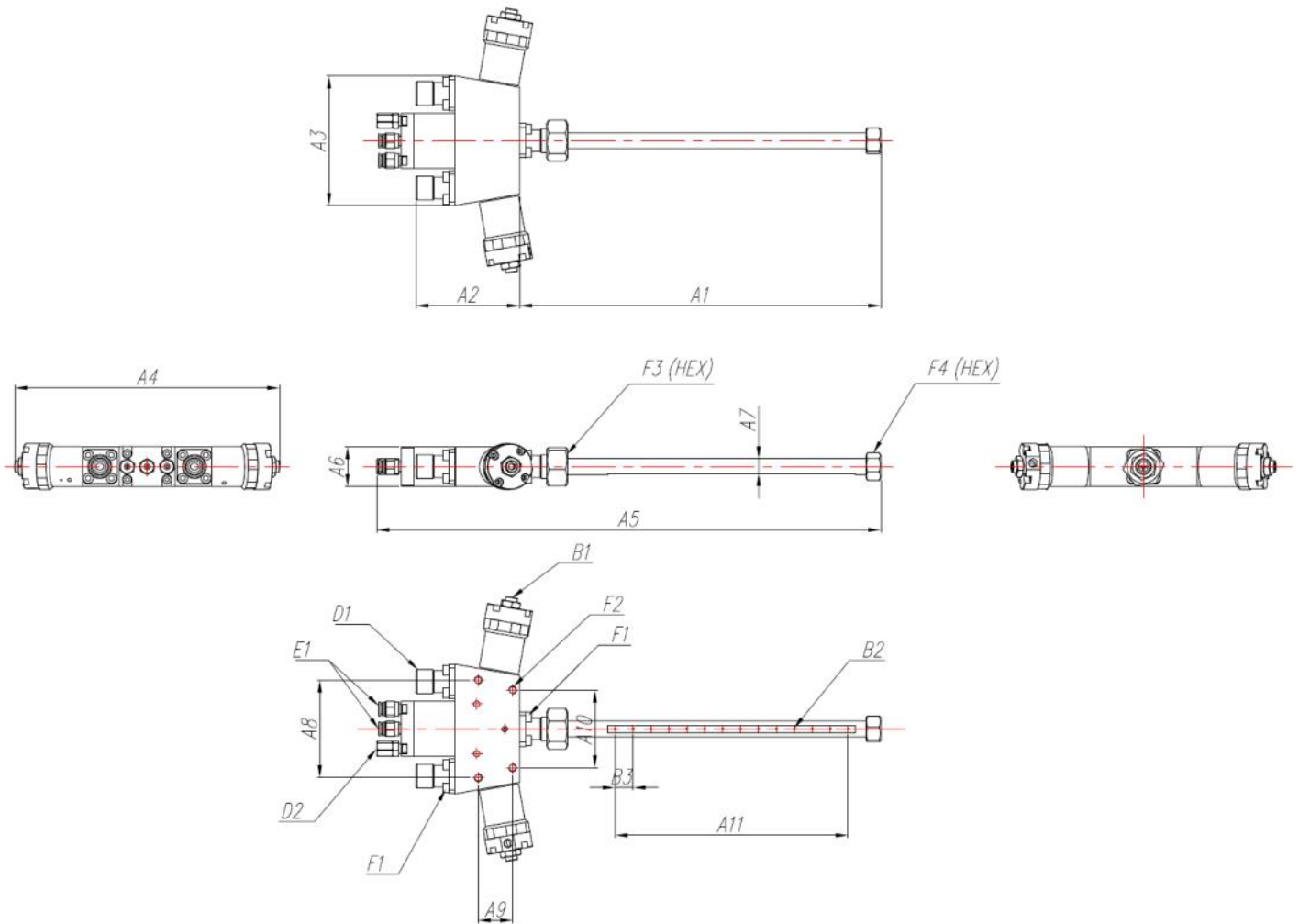
Société anonyme au capital de 111 300 €

**CONTACT**

21 RUE DE LUXEMBOURG  
L-5752 FRISANGE  
Phone: +352 26 67 08 71  
Fax : +352 27 68 73 93

**LEGAL INFORMATION**

R.C. Luxembourg B 118719  
Autorisation N° 136879/2  
VAT N° LU 22332726  
Banque :ING  
IBAN : LU02 0141 0443 4790 0000 / BIC  
CELLULL



B1	B2	B3	D1	D2	E1	F1	F2	F3	F4
PDNS-10	Ø2	18	Ø16	TC 08-01	PC 08-01	M6x16L/ M5x60L	M8	HEX 22	HEX 17
G2-PDSN-06	Ø2	15	Ø16			M5x12L/ M4x12L	M6	HEX 30	HEX 19
PDNS-10	Ø2	18	Ø16	TC 08-01	PC 08-01	M6x16L/ M5x60L	M8	HEX 30	HEX 19
PDNS-10	Ø2	18	Ø16	TC 08-01	PC 08-01	M6x16L/ M5x60L	M8	HEX 30	HEX 22