

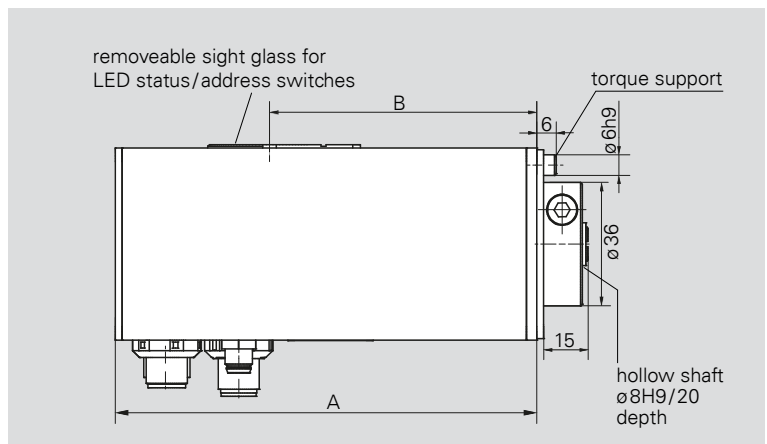


| Product | Nominal torque | Self-holding torque | Nominal rated speed |
|-----------|----------------|---------------------|---------------------|
| PSE 311-8 | 1 Nm | 0.5 Nm | 210 rpm |
| PSE 312-8 | 2 Nm | 1 Nm | 115 rpm |
| PSE 315-8 | 5 Nm | 2.5 Nm | 40 rpm |

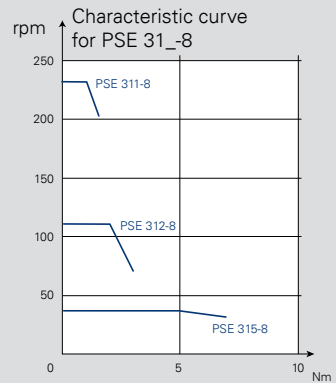
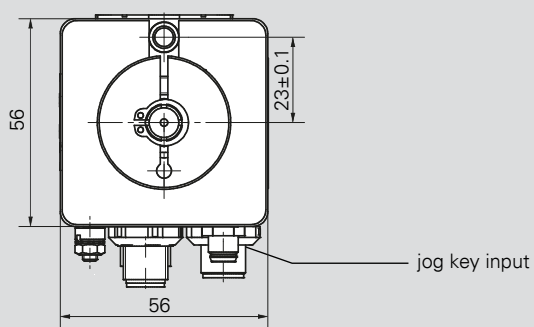
Data interfaces
 CANopen, PROFIBUS DP, DeviceNet, Modbus RTU, Sercos, EtherCAT, PROFINET, EtherNet/IP, POWERLINK, IO-Link

| | |
|---|---|
| Duty cycle | 30 % (basis time 300 s) |
| Mode of operation | S3 |
| Supply voltage | 24 VDC ± 10 % galvanically separated between control and motor and bus |
| Nominal current | 2.2 A |
| Power consumption (control unit) | 0.1 A |
| Positioning accuracy absolute measurement of position taken directly at the output shaft | 0.9° |
| Positioning range | 250 rotations not subject to mechanical limits |
| Shock resistance in accordance with IEC/DIN EN 60068-2-27 | 50g 11 ms |
| Vibration resistance in accordance with IEC/DIN EN 60068-2-6 | 10..55 Hz 1.5 mm / 55..1 000 Hz 10g / 10..2 000 Hz 5g |
| Output shaft | 8 mm hollow shaft with adjustable collar |
| Maximum axial force | 20 N |
| Maximum radial force | 40 N |
| Ambient temperature | 0..45 °C |
| Storage temperature | -10..70 °C |
| Protection class | IP 54 |
| Weight | 700g |
| Certificates | CE, optional: NRTL (UL, CSA, ANSI) |

The order key and accessories can be found on p. 18 / 19.



| | A | B |
|---------|-----|----|
| PSE 311 | 115 | 70 |
| PSE 312 | 123 | 78 |



All dimensions in mm.
 For details of the connections please see also p. 47 and the instruction manual.

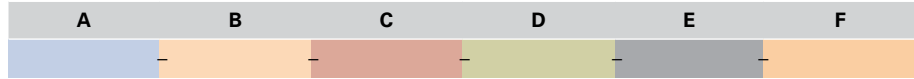
ORDER KEY PSE/PSS/PSW 3 SERIES

All the positioning systems in the PSE/PSS/PSW 3 series share the same order key.

To provide the best possible overview and to simplify customer documentation, the diverse range of options available for the PSE/PSS/PSW 3 series has been organised in a shared order key.

Order key

PSE/PSS/PSW:



| | Protection class | A Design | B Type | C Bus communication (see p. 7) | D Connections | E Brake (see p. 11) | F Certification |
|---|------------------|----------|--|---|---|-----------------------------------|---|
| Positioning System Efficient (see p. 20-25) ¹⁾ | IP 54 | PSE | | CA: CANopen DP: PROFIBUS DP DN: DeviceNet | 0: standard T: with jog keys ³⁾ | | 0: CE N: NRTL certification in accordance with UL, CSA, ANSI and CE |
| Positioning System Stainless (see p. 27-30) | IP 65 | PSS | 30x-8/-14 (V) ²⁾ 31x-8/-14 (V) ²⁾ 32x-14 (V) ²⁾ 33x-14 (V) ²⁾ | MB: Modbus RTU SE: Sercos EC: EtherCAT PN: PROFINET EI: EtherNet/IP PL: POWERLINK IO: IO-Link | Y: 1 connector, Y-encoded Z: 1 connector, Y-encoded, with jog keys ³⁾ | 0: without M ⁴⁾ : with | |
| Positioning System Washable (see p. 32-35) | IP 68 | PSW | | | | | |

¹⁾ You can find the order key for the PSE 34_-14 on page 26.

²⁾ (V) not for PSE

³⁾ not for PSW or IO-Link, always via an extra connector

⁴⁾ only with 14 mm output shafts

Standard equipment (connections)

- always provided with 3 plugs/sockets (not for IO-Link or Y-encoded connector)
- address switches always provided (also IE-buses, not for IO-Link)

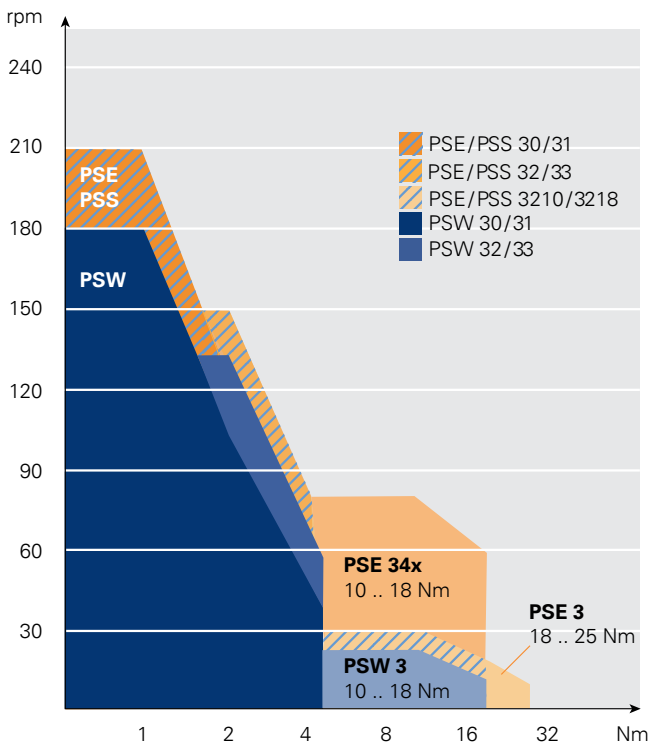
For further information on connections and address settings see also "Overview: bus communication" on p. 47.

| Form/Type | Torque | Output shaft |
|------------|--------|---------------------------------------|
| horizontal | 30 | 8 = 8 mm hollow shaft |
| vertical | 31 | 14 = 14 mm hollow shaft |
| horizontal | 32 | 8V = 8 mm solid shaft ⁶⁾ |
| vertical | 33 | 14V = 14 mm solid shaft ⁶⁾ |

⁵⁾ only for PSE

⁶⁾ only for PSS/PSW

Examples of orders provided below.



Nominal torque – nominal speed combinations

TORQUES AND SPEEDS

Example 1

You require the protection class IP54 and a maximum torque of 2 Nm. The speed should be greater than 100 rpm. An 8 mm hollow shaft and longitudinal construction meet the requirements of your application.

Your wish to use EtherNet/IP as the bus and connect the PSE to the control unit using a hybrid connector and hub. You do not require an additional holding brake in your application.

→ PSE 312-8-EI-Y-0-0

Example 2

IP68, max. 3 Nm, > 100 rpm, horizontal construction, 14 mm solid circular shaft, IO-Link via a connector, with brake.

→ PSW 325-14V-IO-0-M-0

ACCESSORIES PSE/PSS/PSW 3 SERIES

The connectors shown here can be used for all three types of device (PSE/PSS/PSW). This ensures that the PSE (IP54) and PSS (IP65) comply with the IP protection classes. We will also be pleased to help you find a suitable mating connector for the PSW (IP68) if necessary – just ask us!

| Bus communication | Power supply + databus connector (2x) (for option 0) ¹⁾ | Power supply + databus (2x) + jog key connector (for option T, not for PSW) ¹⁾ | Cable and connectors for 1-connector solution ²⁾ (for option Y or IO-Link) ¹⁾ |
|-----------------------|--|--|---|
| CANopen ³⁾ |  Connector set: Order no. 9601.0060 |  Connector set: Order no. 9601.0062 |  5 m: Order no. 9601.0245 10 m: Order no. 9601.0233 20 m: Order no. 9601.0234 |
| PROFIBUS DP | | | |
| Modbus RTU | | | |
| DeviceNet |  Connector set: Order no. 9601.0088 |  Connector set: Order no. 9601.0090 |  |
| Sercos |  Connector set: Order no. 9601.0112 |  Connector set: Order no. 9601.0317 | 5 m: Order no. 9601.0240 10 m: Order no. 9601.0244 |
| EtherCAT | | | Hub on request |
| PROFINET | | | |
| EtherNet/IP | | | |
| POWERLINK | | | |
| IO-Link ³⁾ | - | - |  Connector: Order no. 9601.0107 ²⁾ |

¹⁾ see under "D" in the order key ²⁾ power supply and bus via one cable, without second databus connector

⁴⁾ A- or B- coding of the connectors is possible

Further Accessories

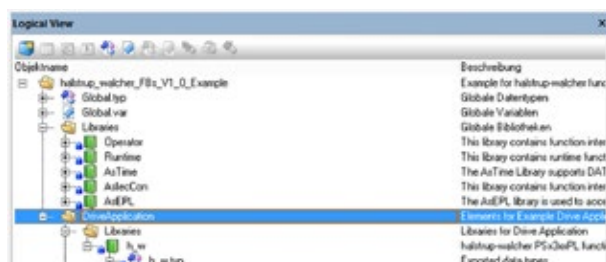


Jog key box (for option T, not for PSW)
Order no. 9601.0241



Screw cap to cover the second bus connection (for PSS/PSW) **Order no. 9601.0176**

MODULES AND DESCRIPTION FILES



Take advantage of our functional modules or description files for the various buses. You can download the files on our website:

www.halstrup-walcher.de/en/software