



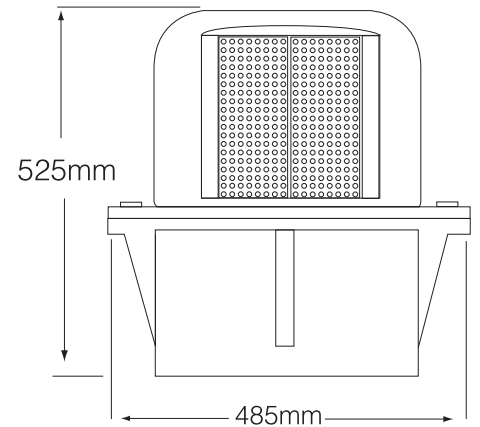
# Visual Signals OBSTACLE MARKING BEACONS

## Obstacle Marking: Medium Intensity Lights > 2000 Candela

### Product overview

The LED 2000 Series conforms to the requirements of the ICAO for aviation obstruction marking. Designed for use on tall buildings, masts and pylons making it ideal for remote or inaccessible locations. The LED pentagon

shaped tower incorporating 800 high power LEDs, allows for a perfect 360° beacon which can be visible over 15 miles in optimum weather conditions. 3 metres of 1.5 SY steel braided cable is supplied attached to the beacon assembly making entry to the beacon unnecessary.



## 2000 Candela > Ordering Information

Code No:	Voltage:	Light Source:	Effective:
LED-04-2000-02	230v Ac ~	LED output	2000

ADD THE FOLLOWING LENS CODES TO THE PRODUCT WHEN ORDERING **02**

### Features

- Conforms to ICAO regulation Annex 14 Volume 1 for steady, Medium intensity Type C beacons
- LED long life and extra bright
- Suitable for surface mounting
- 360° light output around vertical axis
- Dustproof and weatherproof

### Material

Cast Aluminium  
UV Stable Polycarbonate Lens

**Kg** 19

~ 50/60 **Hz**

°C -25+55

**IP** 66



APPROVALS and CONFORMITIES

