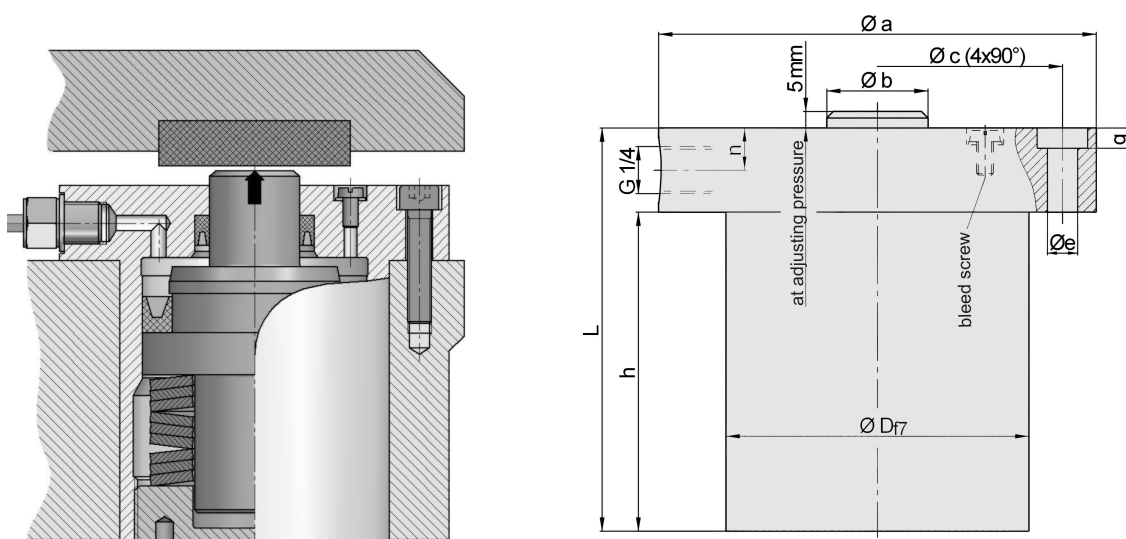


Spring Clamping Cylinder I Series ZDF-o

- /// mechanical clamping – hydraulic releasing
- /// high operational safety // leak-proof and robust
- /// temperature range: -30°C up to +100°C // mounting position discretionary

Technical data:

ZDF-o size	nominal clamping force [kN]	adjusting pressure [bar]	release pressure at 0,5 mm stroke [bar]	release pressure at 1,0 mm stroke [bar]	stroke volume at 1 mm stroke [cm ³]	mass approx. [kg]
2.500	25	130	160	195	2	3
4.000	40	200	240	280	3	4,4
6.300	63	180	200	225	4	6,0
10.000	100	240	270	300	5	12
16.000	160	205	235	265	8	23
25.000	250	200	220	245	14	35



Material:
heat treated steel, burnished or nitro carburized

Dimensions [mm]: length dimensions according to DIN ISO 2768 mH

ZDF-o	Ø D	Ø a	Ø b	Ø c	Ø e	g	h	L	n
2.500	70	95	20	82	6,5	7	75	100	12,5
4.000	80	120	30	100	9	9	85	110	12,5
6.300	90	130	30	110	9	9	95	120	12,5
10.000	115	160	30	140	11	10	120	145	12,5
16.000	150	198	40	175	13	12	130	160	15
25.000	180	230	50	205	13	12	140	170	15

Ordering example: ZDF-o 4.000