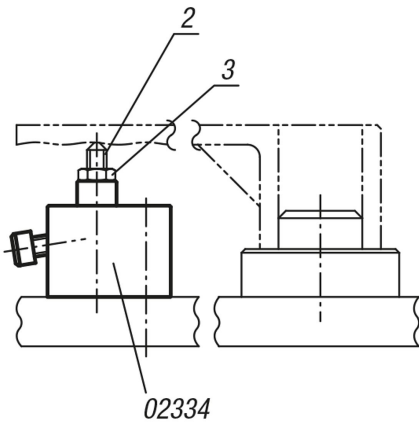


Item description/product images

**Description****Material:**

Carbon steel.

Version:

Body black oxidised.

Thrust pin tempered and black oxidised.

Drawing reference:

M = ball pressure screw

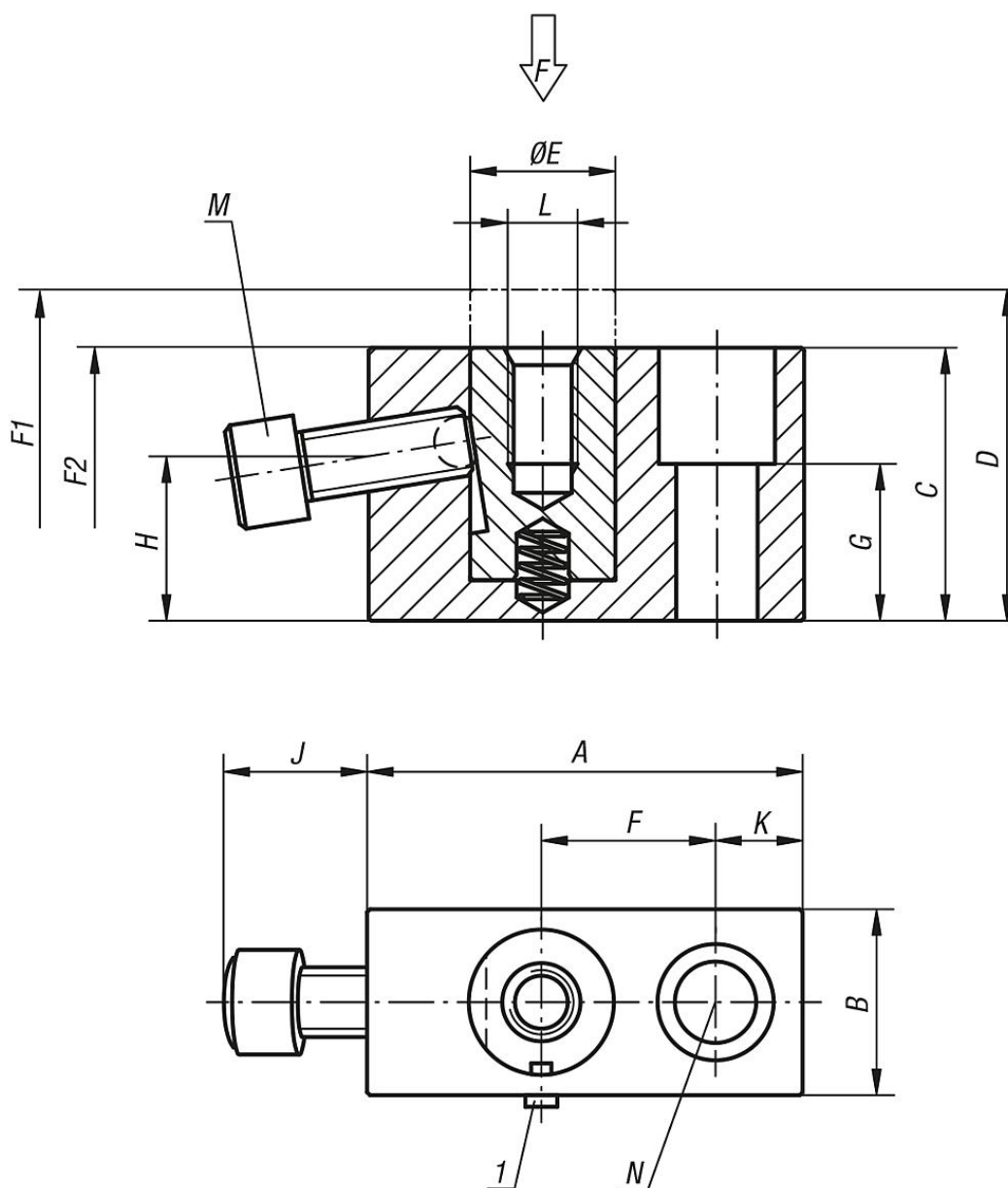
N = through hole for socket head screw DIN 912

1) rotation lock

2) screw rest

3) hexagonal nut

Drawings



Overview of items

Order No.	A	B	C	D	E	F	G	H	J	K	L	M	N	F N	Spring force initial pressure F1 approx. N	Spring force final pressure F2 approx. N
02334-06029	38	19	29	35	12	15	15	17,6	13	8	M6x10	M6x16	M6	4000	0	6
02334-08037	50	22	37	47	16	20	20	21,1	16	10	M8x15	M8x20	M8	6000	0	7
02334-12047	75	32	47	57	25	30	27	28,3	25	15	M12x20	M12x30	M12	9000	1	11