



Our *passion* is enclosures.



# polyDOOR

Enclosures with integrated covers made of glass fibre reinforced polyester

# Technical data

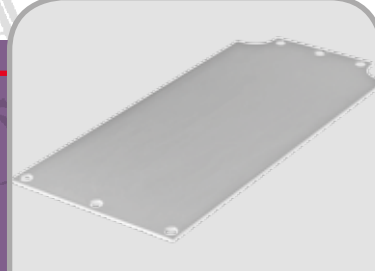
## polyDOOR



With integrated hinges



Version with window FE



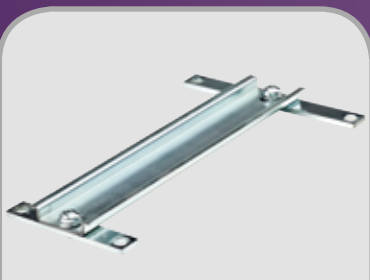
Mounting plate



Large selection of...



...locking screws



Cross rail



Mounting rail and terminals

**Enclosure:** Polyester glass fibre reinforced, halogen-free  
1° mould slope for casting ejection, internal measures diminishing  
circulatory towards enclosure bottom by 1°.

**Components:** Mounting socket with M6  
threaded bushing in the lower section.

**Fastening:** Space-saving single-channel technology

**Flammability:** UL 94 V-0, self-extinguishing

**Type of protection:** IP66 / EN 60529

**Gasket:** Chloroprene (CR) gasket (-30°C to +90°C)

**Lid screws:** Polyamide (PA), captive

**Surface:** RAL 7032, silky grey, surface resistance > 10<sup>9</sup> Ω

### Optionally available:

**External mounting feet:** Stainless steel 1.4301 (V2A)

**Mounting plates:** Sheet steel, galvanised

**Gasket:** Silicone gasket (-50°C to +140°C)

**Surface:** RAL 9005, deep black, surface resistance < 10<sup>9</sup> Ω

**Further options, see delivery overview.**

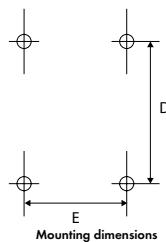
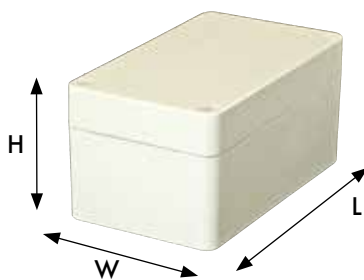
**Delivery overview polyDOOR**

Type	Mat. no.	L	W	H	D	E	g	S	V	W	X	H	M	A	T*	Q
PD 120	130.120.000	140	120	100	118	98	850	☐	☐	●	●	●	●	●	●	●
PD 122	130.122.000	200	120	100	178	98	1.060	☐	☐	●	●	●	●	●	●	●
PD 124	130.124.000	260	120	100	238	98	1.250	☐	☐	●	●	●	●	●	●	●
PD 160	130.160.000	180	160	100	158	138	1.180	☐	☐	●	●	●	●	●	●	●
PD 162	130.162.000	260	160	100	238	138	1.500	☐	☐	●	●	●	●	●	●	●
PD 164	130.164.000	340	160	100	318	138	1.790	☐	☐	●	●	●	●	●	●	●
PD 200	130.200.000	220	200	120	198	178	1.800	☐	☐	●	●	●	●	●	●	●
PD 202	130.202.000	320	200	120	298	178	2.280	☐	☐	●	●	●	●	●	●	●
PD 120 FE	131.120.000	140	120	100	118	98	850	☐	☐	●	●	●	●	●	●	●
PD 122 FE	131.122.000	200	120	100	178	98	1.060	☐	☐	●	●	●	●	●	●	●
PD 124 FE	131.124.000	260	120	100	238	98	1.250	☐	☐	●	●	●	●	●	●	●
PD 160 FE	131.160.000	180	160	100	158	138	1.180	☐	☐	●	●	●	●	●	●	●
PD 162 FE	131.162.000	260	160	100	238	138	1.500	☐	☐	●	●	●	●	●	●	●
PD 164 FE	131.164.000	340	160	100	318	138	1.790	☐	☐	●	●	●	●	●	●	●
PD 200 FE	131.200.000	220	200	120	198	178	1.800	☐	☐	●	●	●	●	●	●	●
PD 202 FE	131.202.000	320	200	120	298	178	2.280	☐	☐	●	●	●	●	●	●	●

\* T can only be mounted with Q

☐ Standard ● Available ○ Not available

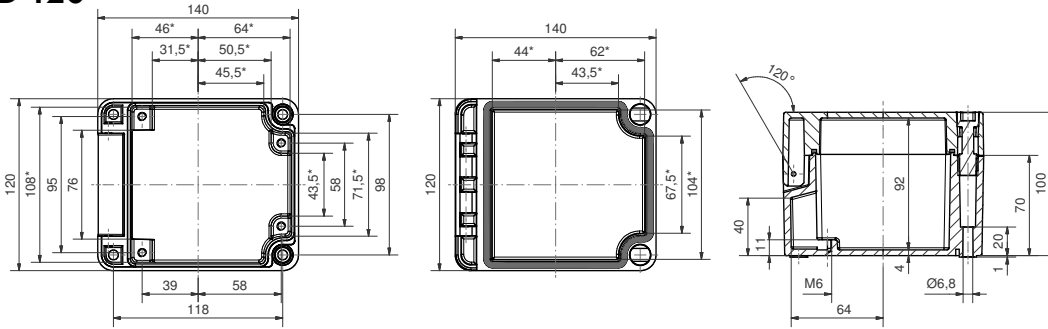
Approvals:



# ROLEC Attachment and mounting dimensions

## polyDOOR

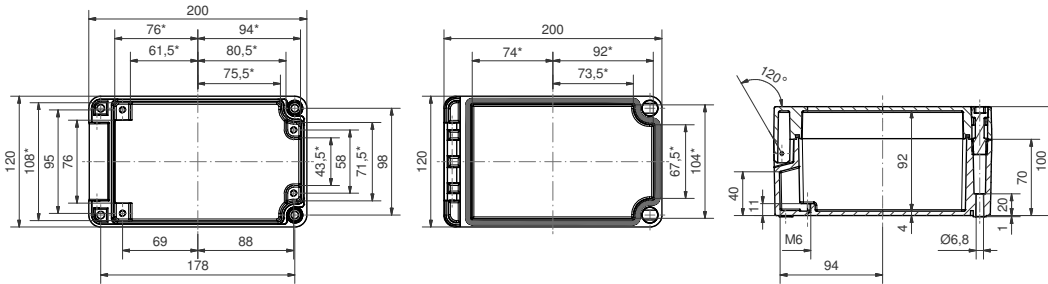
### PD 120



\* Please note: Mould slope for casting ejection, dimensions in the amount of the bottom!

Maximum number of cable glands per enclosure side			
A	B	A/B	D
C	D	PG 7	12 9
M 16	PG 9	8	6
	PG 11	8	5
M 20	PG 13,5	5	4
	PG 16	4	4
M 25	PG 21	3	
M 32	PG 29	1	
M 40	PG 36		
M 50	PG 42		
M 63	PG 48		

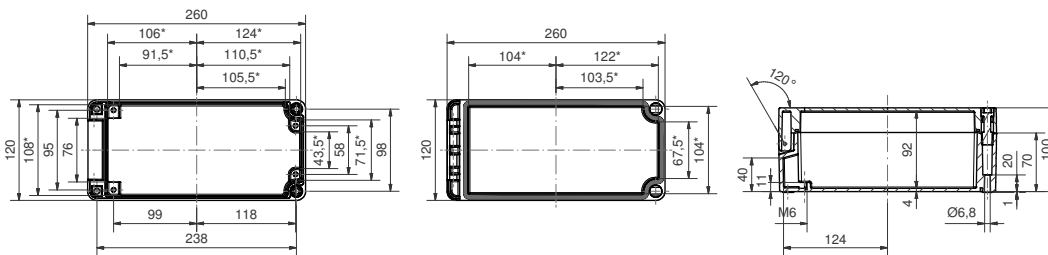
### PD 122



\* Please note: Mould slope for casting ejection, dimensions in the amount of the bottom!

Maximum number of cable glands per enclosure side			
A	B	A/B	D
C	D	PG 7	12 9
M 16	PG 9	11	6
	PG 11	11	5
M 20	PG 13,5	8	4
	PG 16	5	4
M 25	PG 21	3	
M 32	PG 29	3	
M 40	PG 36		
M 50	PG 42		
M 63	PG 48		

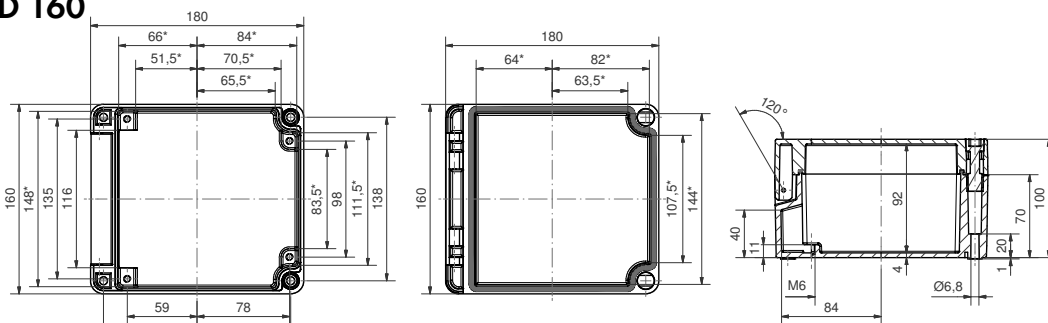
### PD 124



\* Please note: Mould slope for casting ejection, dimensions in the amount of the bottom!

Maximum number of cable glands per enclosure side			
A	B	A/B	D
C	D	PG 7	20 9
M 16	PG 9	17	6
	PG 11	14	5
M 20	PG 13,5	11	4
	PG 16	7	4
M 25	PG 21	4	
M 32	PG 29	3	
M 40	PG 36		
M 50	PG 42		
M 63	PG 48		

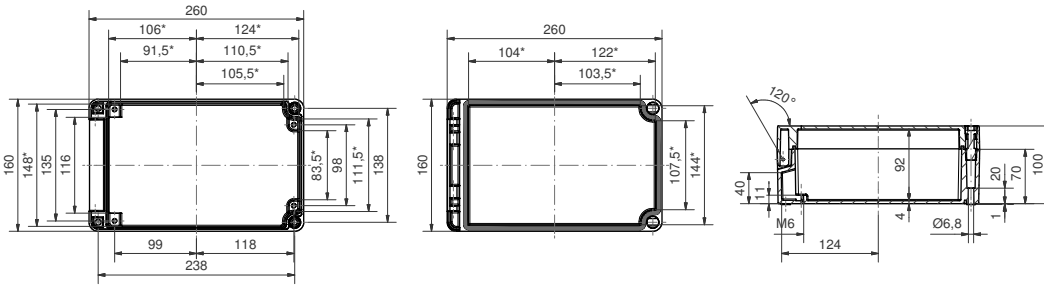
### PD 160



\* Please note: Mould slope for casting ejection, dimensions in the amount of the bottom!

Maximum number of cable glands per enclosure side			
A	B	A/B	D
C	D	PG 7	15 4
M 16	PG 9	14	3
	PG 11	9	2
M 20	PG 13,5	8	2
	PG 16	6	2
M 25	PG 21	2	
M 32	PG 29	2	
M 40	PG 36	1	
M 50	PG 42		
M 63	PG 48		

### PD 162

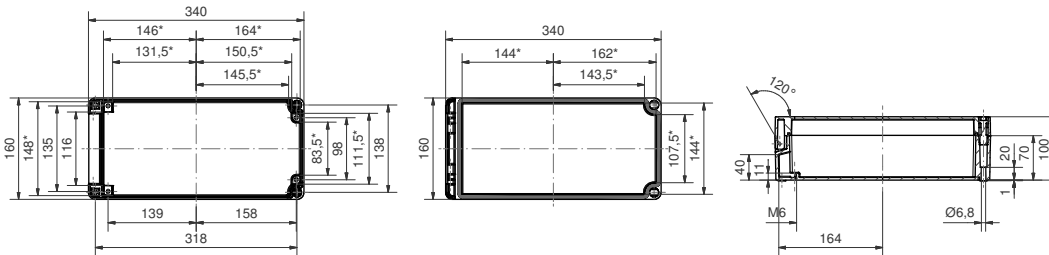


\* Please note: Mould slope for casting ejection, dimensions in the amount of the bottom!

Maximum number of cable glands per enclosure side

A		A/B	D
C	B		
	PG 7	24	4
M 16	PG 9	21	3
	PG 11	12	2
M 20	PG 13,5	10	2
	PG 16	4	
M 25	PG 21	3	
M 32	PG 29	3	
M 40	PG 36	2	
M 50	PG 42		
M 63	PG 48		

### PD 164

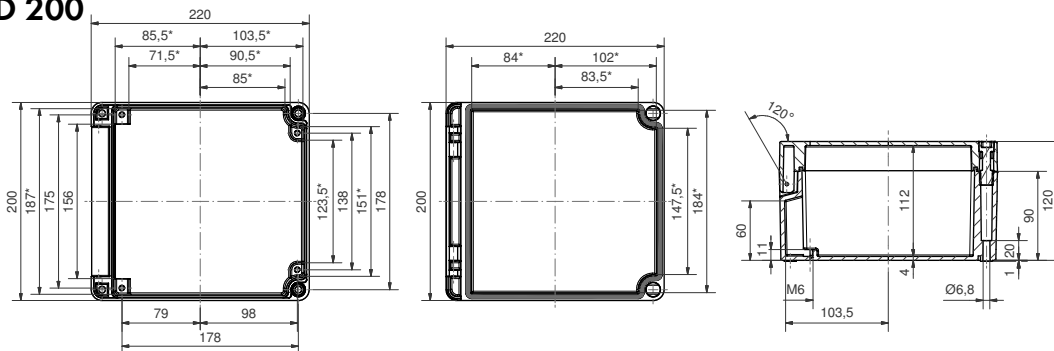


\* Please note: Mould slope for casting ejection, dimensions in the amount of the bottom!

Maximum number of cable glands per enclosure side

A		A/B	D
C	B		
	PG 7	36	4
M 16	PG 9	24	3
	PG 11	21	2
M 20	PG 13,5	13	2
	PG 16	6	
M 25	PG 21	4	
M 32	PG 29	3	
M 40	PG 36	3	
M 50	PG 42		
M 63	PG 48		

### PD 200

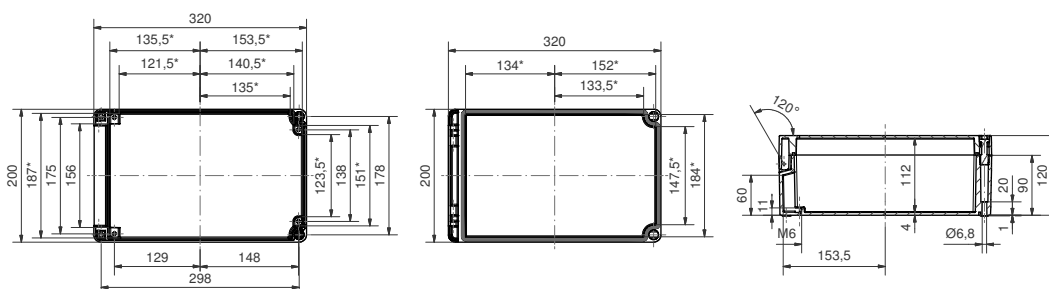


\* Please note: Mould slope for casting ejection, dimensions in the amount of the bottom!

Maximum number of cable glands per enclosure side

A		A/B	D
C	B		
	PG 7	30	30
M 16	PG 9	21	21
	PG 11	18	12
M 20	PG 13,5	14	11
	PG 16	9	9
M 25	PG 21	8	5
M 32	PG 29	4	3
M 40	PG 36	2	2
M 50	PG 42		
M 63	PG 48		

### PD 202



\* Please note: Mould slope for casting ejection, dimensions in the amount of the bottom!

Maximum number of cable glands per enclosure side

A		A/B	D
C	B		
	PG 7	50	30
M 16	PG 9	33	21
	PG 11	27	12
M 20	PG 13,5	21	11
	PG 16	15	9
M 25	PG 21	13	5
M 32	PG 29	6	3
M 40	PG 36	4	2
M 50	PG 42		
M 63	PG 48		

