



PLANETA RLPK

The aluminium gantry crane **RLPK** is up to **70% lighter** than the **RAPK** with the same dimensions and same adaptability. Thanks to its modular design and use of high-strength aluminium components, it can be used in a wide variety of applications in changing assembly areas. Different load capacities up to 2,000 kg with beam spans up to 7 m are available.

The use of an appropriate hoist from the extensive **PLANETA** range enables the crane to be optimally equipped for your lifting task. Assembly-friendly individual components enable the crane to be moved quickly to different locations. The standard slewing wheels allow the crane to be easily moved at the installation site, even under load.

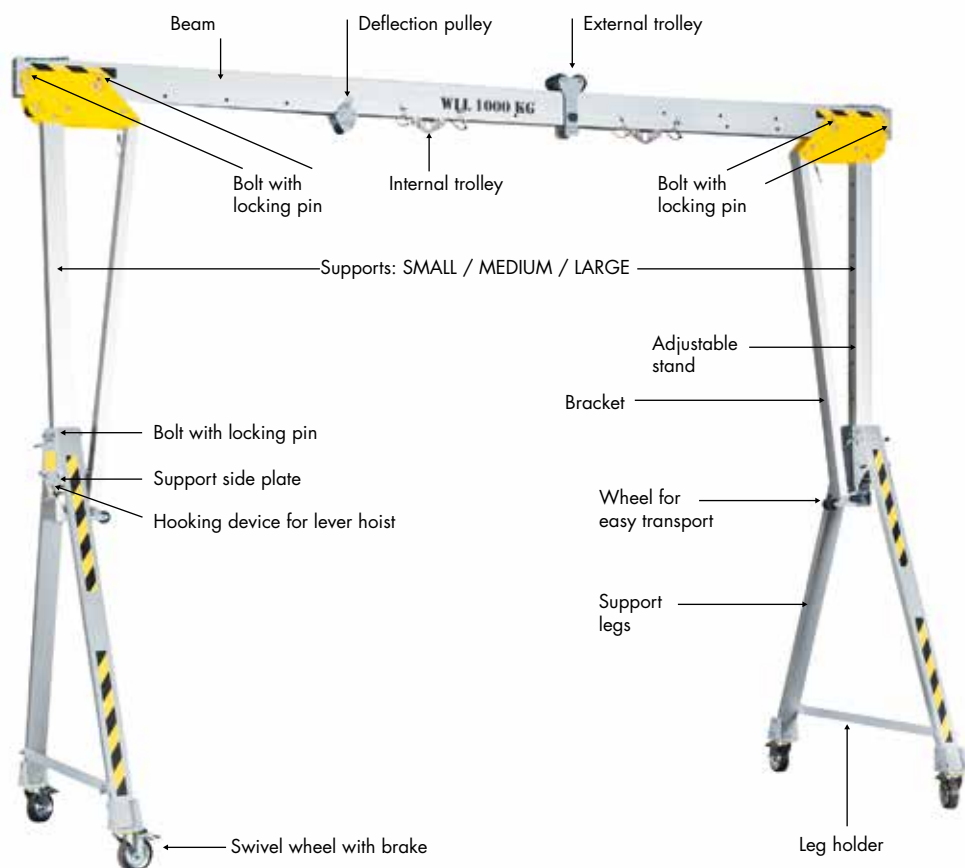
With approval according to EN 795/A:2012, the **RLPK** can be used as a height safety device for persons.

Features:

- Capacity: 500 – 2,000 kg
- Beam length: 2 – 7 m
- Support height: three standard types Small / Medium / Large.
- Wheel set with brakes, 160 mm solid tyres for general use
- Rope roller for beam
- Transport trolley for beam
- 2 x locking pin for manual trolley
- Incl. manual trolleys for material transport and passenger transport
- Safety factor for lifting material: 2.1:1
- Safety factor for use for people: 10:1
- Maximum number of persons: 3

Options:

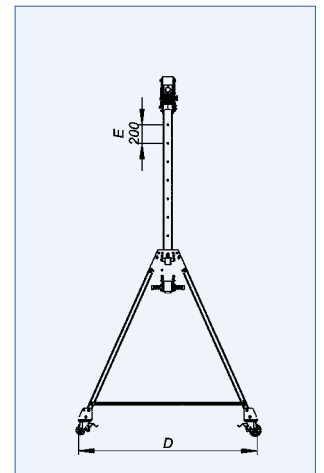
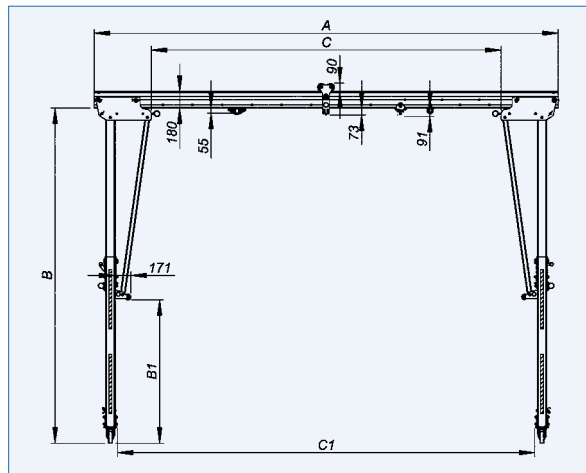
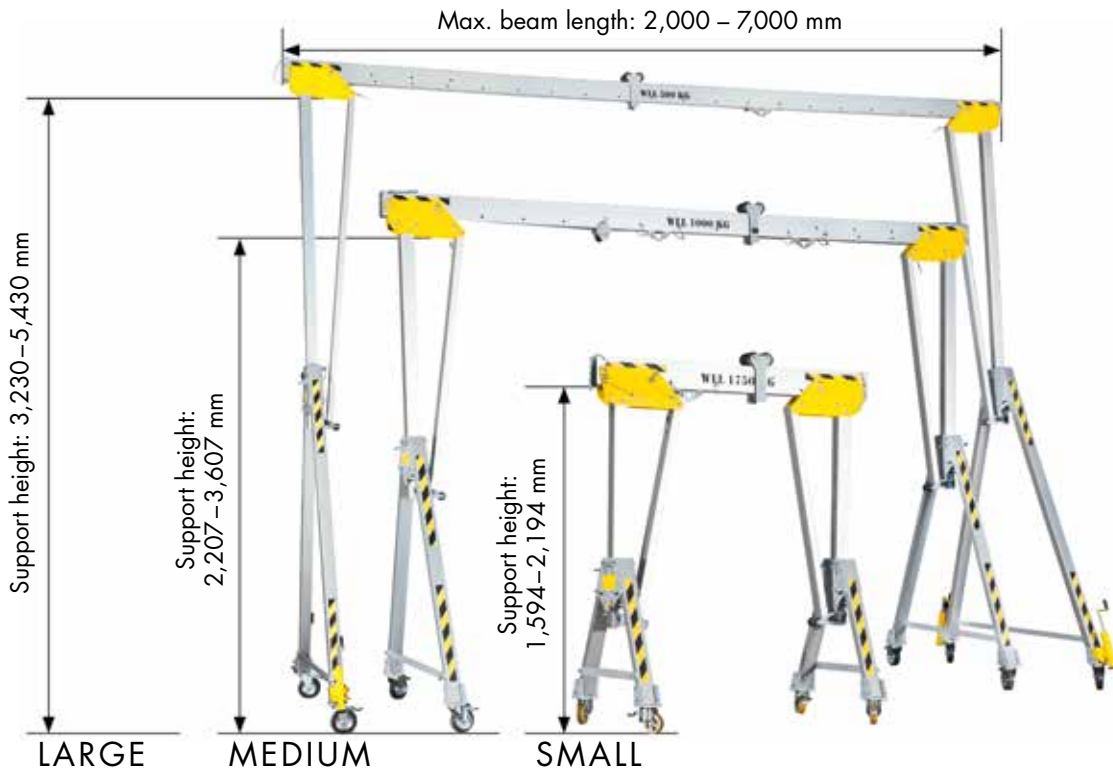
- Manual rope winch for material transport
- Manual rope winch for passenger transport
- Transport trolley for beams
- 2 x safety pins for manual trolley



MAX. 3 PERSONS



EN 795/A:2012
CEN/TS 16415/A:2013



TYPE RLPK-S- ... / RLPK-M- ... / RLPK-L- ...**		2	3	4	5	6	7
Capacity	S	2,000 *	1,500	1,250	1,000	750	500
	M	1,750	1,500	1,250	1,000	750	500
	L	1,750	1,500	1,250	1,000	750	500
Beam length(A)	mm	2,000	3,000	4,000	5,000	6,000	7,000
Working span (C)	mm	770	1,770	2,770	3,770	4,770	5,770
Span width floor (C1)	mm	1,496	2,496	3,496	4,496	5,496	6,496
Support height (min.-max.) (B)	S	1,594-2,194	1,594-2,194	1,594-2,194	1,594-2,194	1,594-2,194	1,594-2,194
	M	2,207-3,607	2,207-3,607	2,207-3,607	2,207-3,607	2,207-3,607	2,207-3,607
	L	3,230-5,430	3,230-5,430	3,230-5,430	3,230-5,430	3,230-5,430	3,230-5,430
Under roller height (min.-max.) (B1)	S	34-634	34-634	34-634	34-634	34-634	34-634
	M	141-1,541	141-1,541	141-1,541	141-1,541	141-1,541	141-1,541
	L	164-2,364	164-2,364	164-2,364	164-2,364	164-2,364	164-2,364
Leg spacing (D)	S	1,115	1,115	1,115	1,115	1,115	1,115
	M	1,928	1,928	1,928	1,928	1,928	1,928
	L	2,834	2,834	2,834	2,834	2,834	2,834
Grid steps (height) (E)	mm	200	200	200	200	200	200
Weight	S	81	88	94	100	107	114
	M	103	110	116	123	129	136
	L	137	144	150	157	163	170
Order No. Small		J00818	J00819	J00820	J00821	J00822	J00823
Order No. Medium		J00824	J00825	J00826	J00827	J00828	J00829
Order No. Large		J00830	J00831	J00832	J00833	J00834	J00835

* upon request ** Combinations with manual chain hoist, electric chain hoist and power supply possible on request.