

Item description/product images

**Description****Material:**

Worm screw steel.

Worm wheel CuZn37Mn3Al2PbSi-S40.

Version:

Worm screw with right-hand pitch, case-hardened HV 620 – 700, flanks and hole ground.

Note for ordering:

Wheels/screws can only be combined to form a worm gear if they have the same centre distance and transmission ratio.

Note:

A worm gear consists of a worm screw (shaft) and a worm wheel. Suitable for forming worm drives with a 90° shaft angle. A worm drive enables very large speed reduction ratios with a single stage.

The toothing has the flank shape K. The engagement angle is 15°. The worm gears are pre-bored.

The stated T2 output torques are the permissible output torques on the worm wheel. These apply for an input speed of 2800 rpm of the worm screw.

The worm gears are suitable for continuous operation at high speeds and high torques.

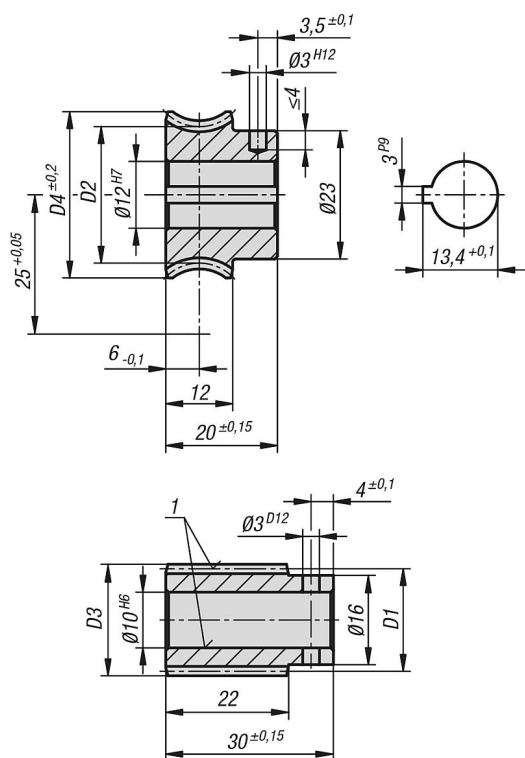
Drawing reference:

1) ground

Item description/product images



Drawings



Overview of items

Order No.	Image	Item	Transmission ratio	Pitch angle	Module	Z1	D1	D3	Z2	D2	D4	Output torque T2 (Nm) mineral grease	Output torque T2 (Nm) mineral oil	Output torque T2 (Nm) synthetic oil
22500-251004		worm	-	20° 29	1,4	5	20	22,8	-	-	-	5,1	6,1	7,6
22500-252004		worm wheel	4:1	20° 29	1,4	-	-	-	20	-	33,5	5,1	6,1	7,6
22500-251005		worm	-	19° 15	1,5	4	18,2	21,2	-	-	-	6,5	7,8	9,7
22500-252005		worm wheel	5:1	19° 15	1,5	-	-	-	20	-	34,8	6,5	7,8	9,7
22500-251006		worm	-	13° 52	1,15	4	19,2	21,5	-	-	-	6	7,2	9
22500-252006		worm wheel	6,5:1	13° 52	1,15	-	-	-	26	-	34,8	6	7,2	9
22500-251010		worm	-	8° 48	1,5	2	19,6	22,6	-	-	-	5,9	7,1	8,8

Overview of items

Order No.	Image	Item	Transmission ratio	Pitch angle	Module	Z1	D1	D3	Z2	D2	D4	Output torque T2 (Nm) mineral grease	Output torque T2 (Nm) mineral oil	Output torque T2 (Nm) synthetic oil
22500-252010		worm wheel	10:1	8° 48	1,5	-	-	-	20	-	34,8	5,9	7,1	8,8
22500-251015		worm	-	6° 29	1	2	17,7	19,7	-	-	-	5,7	6,8	8,5
22500-252015		worm wheel	15:1	6° 29	1	-	-	-	30	-	34,8	5,7	6,8	8,5
22500-251020		worm	-	4° 19	1,5	1	19,9	22,9	-	-	-	5,8	7	8,7
22500-252020		worm wheel	20:1	4° 19	1,5	-	-	-	20	-	34,8	5,8	7	8,7
22500-251025		worm	-	2° 18	1	1	24,96	26,96	-	-	-	4,1	4,9	6,1
22500-252025		worm wheel	25:1	2° 18	1	-	-	-	25	-	27,8	4,1	4,9	6,1
22500-251030		worm	-	2° 53	1	1	19,9	21,9	-	-	-	5,9	7,1	8,8
22500-252030		worm wheel	30:1	2° 53	1	-	-	-	30	-	33,5	5,9	7,1	8,8
22500-251040		worm	-	2° 33	0,8	1	17,96	19,56	-	-	-	6,2	7,4	9,3
22500-252040		worm wheel	40:1	2° 33	0,8	-	-	-	40	-	34,8	6,2	7,4	9,3
22500-251050		worm	-	1° 43	0,6	1	19,96	21,16	-	-	-	5,1	6,1	7,6
22500-252050		worm wheel	50:1	1° 43	0,6	-	-	-	50	-	33,5	5,1	6,1	7,6