



# Spider<sup>®</sup>-Valve

## Small, wear-free and fast as lightning

For an exact dosing of smallest amounts with extreme fast switching. Besides the very high speed, the long life and the accurate dosing, Spider-Valves also feature a small size and minimum weight.

## Spider-Valve: strong performances in every application





### Spider-Valves offer ...

#### ... more safety

Spider-Valves are especially recommended for applications with tight specifications regarding availability and reliability. This is possible due to the very long life time of these valves.

#### ... more comfort

Thanks to their very low moving weights, the Spider-Valves are extremely quiet and cause very low vibration. Because of their small size and low energy consumption, they are also ideal for transportable and mobile systems.

#### ... more accuracy

The Spider-Valves can be fully customized according to the customer requirements. In this way, Spider-Valves can offer very precise switch time with very high repeatability.

#### ... more efficiency

Compared to standard valves, Spider-Valves have lighter moving parts and smaller displacement. This results a lower energy consumption and very short switching time.

### Technical data

- sealing material: NBR
- electrical connection: wire 80 mm
- max. temperature: 50 °C
- voltage: 24 V (-15 % ... +10 %)
- duty cycle: up to 100 %
- media: neutral gas and liquid

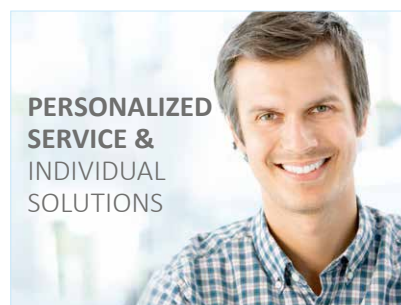
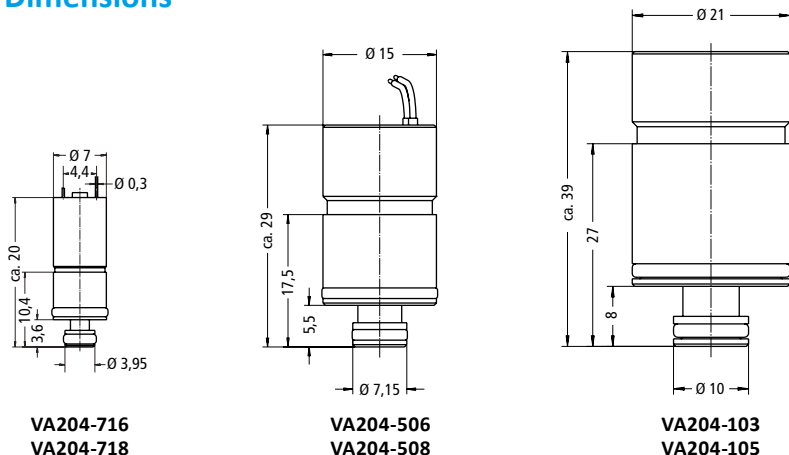
### Features

- 2/2 way valve
- normal closed (NC)
- flat plunger actor
- size 7 mm, 15 mm, 21 mm
- long expected lifetime: depending upon application up to 1 billion cycles
- switching time < 1 ms (depending upon application)
- extremely small dead volume
- low energy consumption
- low vibration
- low noise

### Standard Spider-Valves

| Designation                           | Orifice [mm] | Max. operating pressure difference [bar] | Flow rate (air) @ max. pressure difference [l/min] | Nominal power [W] | Coil resistance [Ω] | Weight [g] |
|---------------------------------------|--------------|--|--|-------------------|---------------------|------------|
| <b>VA204-716</b><br>P 07 SAL 80 24/00 | 0,5          | 8,0                                      | 14   | 0,85              | 700,0               | 4,0        |
| <b>VA204-718</b><br>P 07 SAL 80 24/00 | 1,0          | 3,0                                      | 13   | 0,85              | 700,0               | 4,0        |
| <b>VA204-506</b><br>P 15 SAL 80 24/00 | 1,0          | 8,0                                      | 55   | 1,6               | 361,0               | 22,0       |
| <b>VA204-508</b><br>P 15 SAL 80 24/00 | 2,0          | 1,5                                      | 44   | 1,6               | 361,0               | 22,0       |
| <b>VA204-103</b><br>P 21 SAL 80 24/00 | 2,0          | 8,0                                      | 140  | 2,5               | 235,0               | 60,0       |
| <b>VA204-105</b><br>P 21 SAL 80 24/00 | 4,0          | 2,0                                      | 101  | 2,5               | 235,0               | 60,0       |

### Dimensions



**PERSONALIZED  
SERVICE &  
INDIVIDUAL  
SOLUTIONS**

**Phone +49 (0) 7143 2707-0**

We gladly provide you with more information about special designs and customized products according to your demands and standards.

We look forward to receiving your request.

**E-Mail: [sales@staiger.de](mailto:sales@staiger.de)**