

Item description/product images



Description

Material:

Handle steel 1.0401.
 Thrust washer plastic PA 66 GF 35-X fibreglass reinforced.
 Hinge pin stainless steel 1.4305.
 Stud and washer steel, grade 5.8.

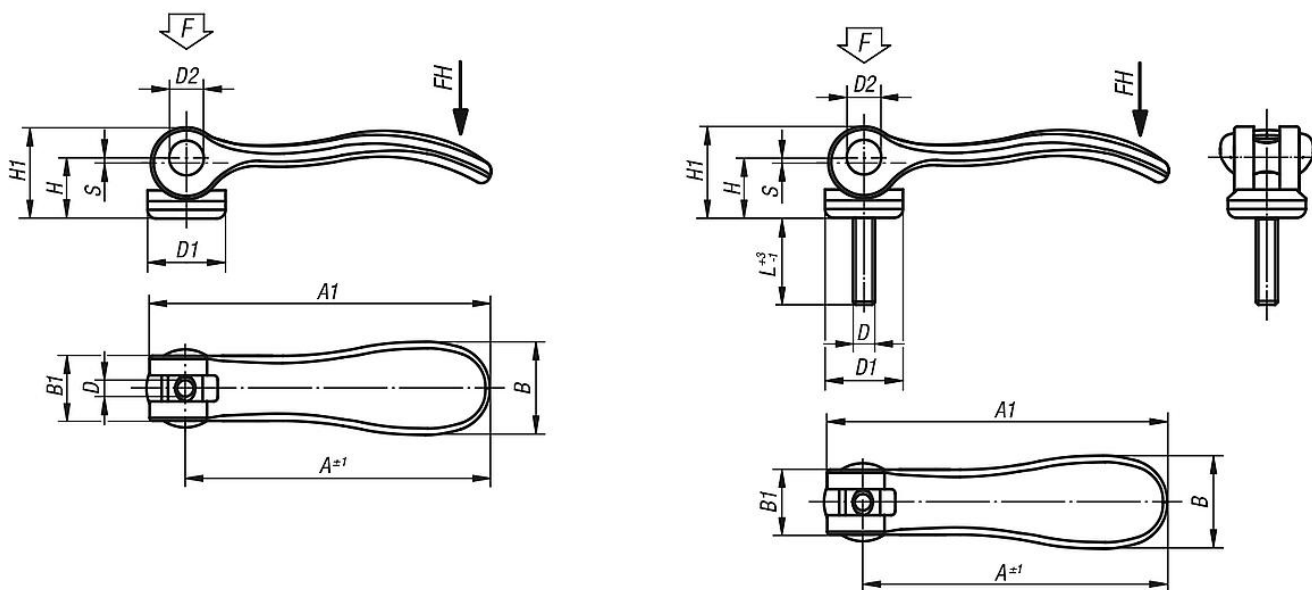
Version:

Handle, stud and washer trivalent blue passivated.
 Thrust washer black.
 Hinge pin bright.

Note:

Plastics are subject to creeping under load (retardation).

Drawings



Overview of items

Cam levers with internal thread, steel

Order No.	D	D1	D2	B	B1	H	H1	A	A1	Travel S	Clamping force F (kN)	Hand force FH N
04232-1502205	M5	18,1	9	21,5	15	14,5	22	70,4	79,2	1,2	4	120
04232-1502206	M6	18,1	9	21,5	15	14,5	22	70,4	79,2	1,2	4	120
04232-2502208	M8	27,1	11	33,2	24	18	28,5	96	108	1,5	8	350

Cam levers with external thread, steel

Order No.	D	D1	D2	B	B1	H	H1	A	A1	L	Travel S	Clamping force F (kN)	Hand force FH N
04232-1502205X	M5	18,1	9	21,5	15	14,5	22	70,4	79,2	20/30/40/50	1,2	4	120

Overview of items

Order No.	D	D1	D2	B	B1	H	H1	A	A1	L	Travel S	Clamping force F (kN)	Hand force FH N
04232-1502206X	M6	18,1	9	21,5	15	14,5	22	70,4	79,2	20/30/40/50	1,2	4	120
04232-2502208X	M8	27,1	11	33,2	24	18	28,5	96	108	25/30/40/50	1,5	8	350
04232-2502210X	M10	27,1	11	33,2	24	18	28,5	96	108	25/30/40/50	1,5	8	350