

## Item description/product images



## Description

**Material:**

Aluminium (400 N/mm<sup>2</sup> tensile strength).  
Spindle carbon steel.

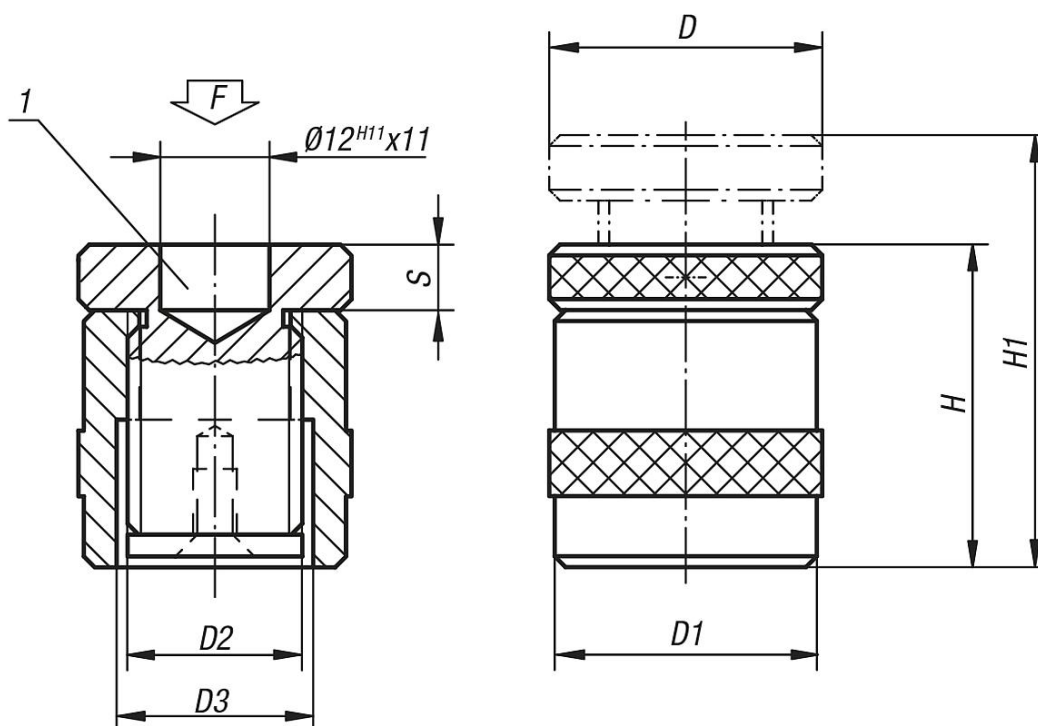
**Version:**

Self-locking trapezoidal thread, spindle has end lock.

**Drawing reference:**

1) centring hole for 02210

## Drawings



## Overview of items

Order No.	D	D1	D2	D3	H	H1	S	F max. kN
02180-01	50	50	Tr 30X4	36	42	52	12	30
02180-02	50	50	Tr 30X4	36	50	70	12	30
02180-03	50	50	Tr 30X4	36	70	100	12	30

