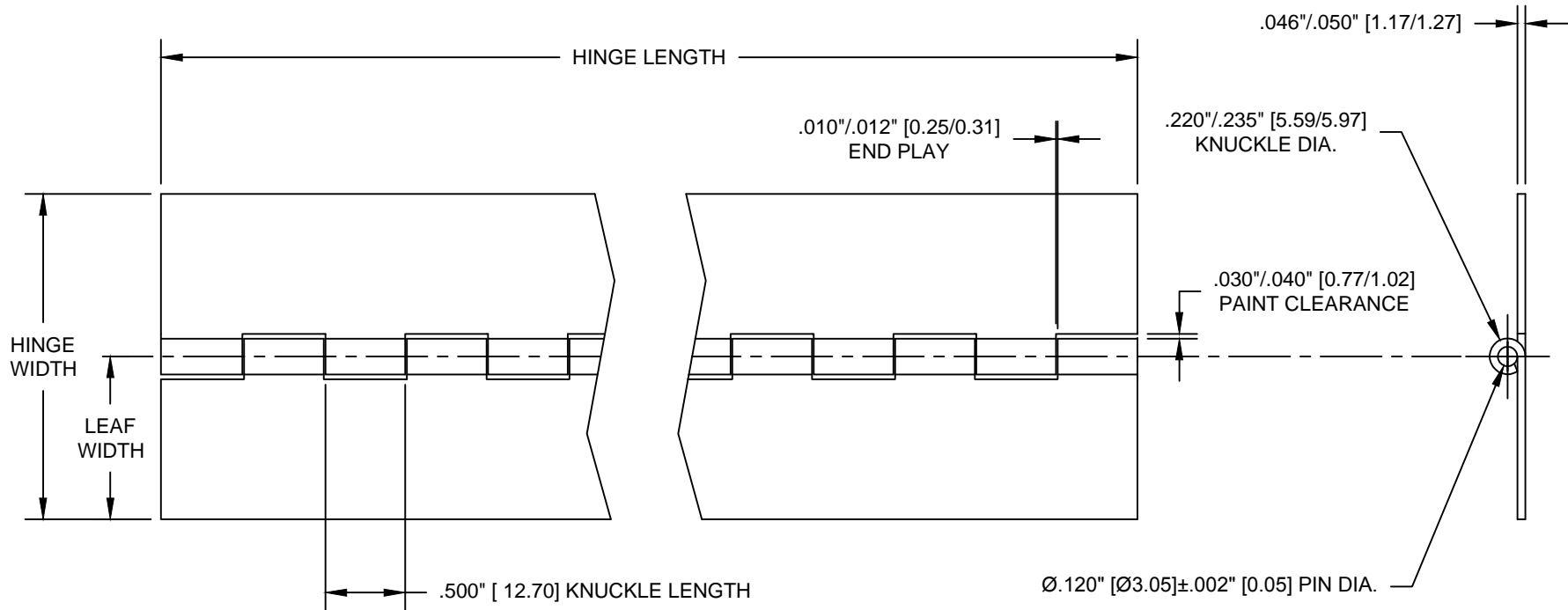


HINGE DRAWN BARREL UP



NOTES:

- 1] S&S Hinge series # 1100
- 2] Gauge/thickness - .046"/.050" [1.17 mm/1.27 mm].
- 3] Knuckle length - 1/2"/.500"/12.7 mm.
- 4] Pin diameter - .120"/Ø3.05 mm.
- 5] Hinge rotates 270°.
- 6] See chart to the right for standard open widths.
- 7] Standard metals: steel, stainless and aluminum.

| SERIES #: | HINGE WIDTH | LEAF WIDTH |
|-----------|----------------|----------------|
| 1101 | 1.06" [26.93] | .531" [13.50] |
| 1102 | 1.25" [31.75] | .625" [15.88] |
| 1103 | 1.50" [38.10] | .750" [19.05] |
| 1104 | 1.75" [44.45] | .875" [22.23] |
| 1105 | 2.00" [50.80] | 1.00" [25.40] |
| 1107 | 2.50" [63.50] | 1.250" [31.75] |
| 1109 | 3.00" [76.20] | 1.500" [38.10] |
| 1113 | 4.00" [101.60] | 2.000" [50.80] |



Continuous Hinge, Quality and Service Worldwide | Est. 1932

210 COVINGTON DRIVE
 BLOOMINGDALE, IL. 60108
 1-800-332-1227 TEL: (630) 582-9500 FAX: (630) 582-8844
www.SandSHinge.com

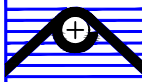
DRAWN BY: ENGINEERING DEPT.

DATE: CURRENT REVISION | SCALE: N-T-S

PART No: 1100 SERIES

| | | | |
|--|--------|---------|-------------|
| DIMENSIONS IN: INCHES <input checked="" type="checkbox"/> MILLIMETERS <input checked="" type="checkbox"/> | | | |
| S&S HINGE CO. STANDARD TOLERANCES | | | |
| DEC | INCH | MM | THIRD ANGLE |
| .XX | ± .030 | ± 0.750 | |
| .XXX | ± .015 | ± 0.380 | |
| HOLE DIA | ± .005 | ± 0.127 | |
| ANGLE | ± 3° | | |

THIS PRINT AND/OR SPECIFICATION ARE EXCLUSIVE PROPERTY OF S&S HINGE CO. AND ARE NOT TO BE REPRODUCED, COPIED, USED OR DISCLOSED TO ANYONE WITHOUT PERMISSION.



CUSTOMER:

| REV | DATE | DESCRIPTION |
|-----|------|-------------|
| | | |