

Manually controlled Valves

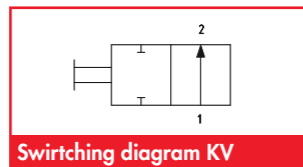
2/2-ways ball valve KV

Description

2/2-ways valve as ball valve in robust grey cast iron design with hand lever

Application

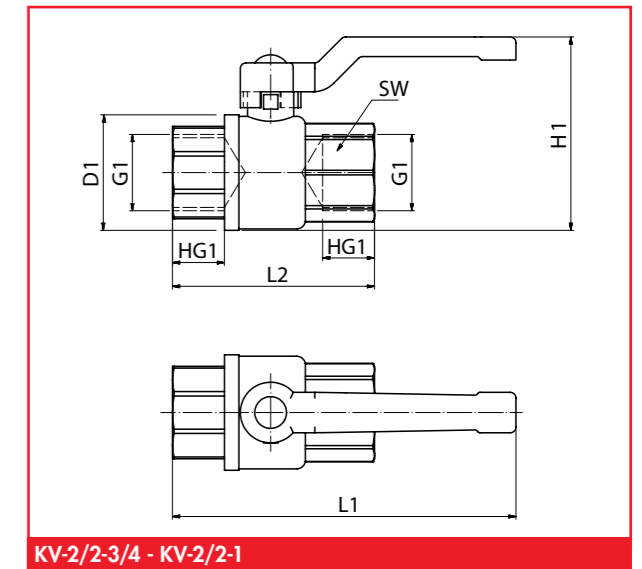
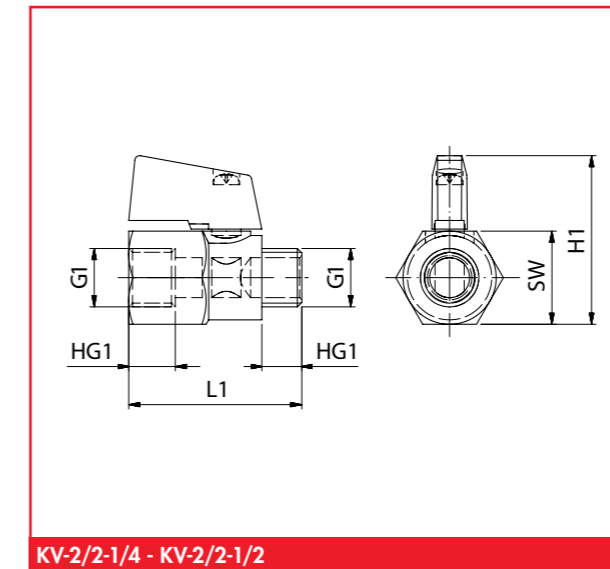
- manual switching on and off of single suction pads
- any mounting position



FEZER
Simply move more.

Manually controlled Valves

2/2-ways ball valve KV



Article number

Type	Article number	Replacement lever
KV-2/2-1/4	1.51.1.0011	2.51.1.0025
KV-2/2-3/8	1.51.1.0008	2.51.1.0025
KV-2/2-1/2	1.51.1.0009	2.51.1.0025
KV-2/2-3/4	1.51.1.0014	2.51.1.0026
KV-2/2-R1	1.51.1.0012	2.51.1.0026
KV-2/2-R11/4	1.51.1.0013	2.51.1.0026

Technical data

Type	Pressure range (bar)	Nominal width (mm)	Flow rate		Temperature (°C)	Weight (kg)
			(m³/h)	(l/s)		
KV-2/2-1/4	-1 ... 0	12	25	6,9	-10 ... +60	0,07
KV-2/2-3/8	-1 ... 0	14	26	7,2	-10 ... +60	0,07
KV-2/2-1/2	-1 ... 0	19	60	16,6	-10 ... +60	0,10
KV-2/2-3/4	-1 ... 0	24	110	30,6	-10 ... +60	0,34
KV-2/2-R1	-1 ... 0	30	150	41,7	-10 ... +60	0,60
KV-2/2-R11/4	-1 ... 0	36	180	50,0	-10 ... +60	0,80

Dimensions

Type	L1	L2	H1	D1	G1	HG1	SW
KV-2/2-1/4	39	---	37	---	G1/4	8	21
KV-2/2-3/8	41	---	37	---	G3/8	8	21
KV-2/2-1/2	45	---	42	---	G1/2	10	25
KV-2/2-3/4	120	72	67	38	G3/4	18	32
KV-2/2-R1	136	85	90	48	G1	21	40
KV-2/2-R11/4	158	97	98	59	G1 1/4	23	48