

Item description/product images

**Description****Material:**

Body carbon steel.

Ball rust and acid resistant steel.

Inserts:

Form C, F, M tool steel

Form K POM

Form E stainless steel.

Form O stainless steel diamond impregnated.

Form P stainless steel with polyurethane surface.

Version:

Body tempered, black oxidised.

Ball hardened, bright.

Inserts:

Form C, F hardened, black oxidised.

Form M with carbide serrations, black oxidised.

Form K white.

Form E hardened, bright.

Form O diamond impregnated surface comparable to 100 grade abrasive grit.

Form P polyurethane surface, hardness 60 Shore.

Note:

Self-aligning pads are used to support and clamp unmachined and machined workpieces.

They also serve as stops, supports and thrust pads in fixtures and toolmaking.

The ball can be removed from the housing by applying light pressure to the socket head screw.

Ball secured against rotation.

Advantages:

Highly cost-effective as inserts can be exchanged.

The built-in O-ring holds the ball in place and keeps dirt and foreign particles out, ensuring uniform movement.

Drawing reference:

Form C: flattened steel insert, smooth

Form E: flattened stainless steel insert, smooth

Form F: gripper face

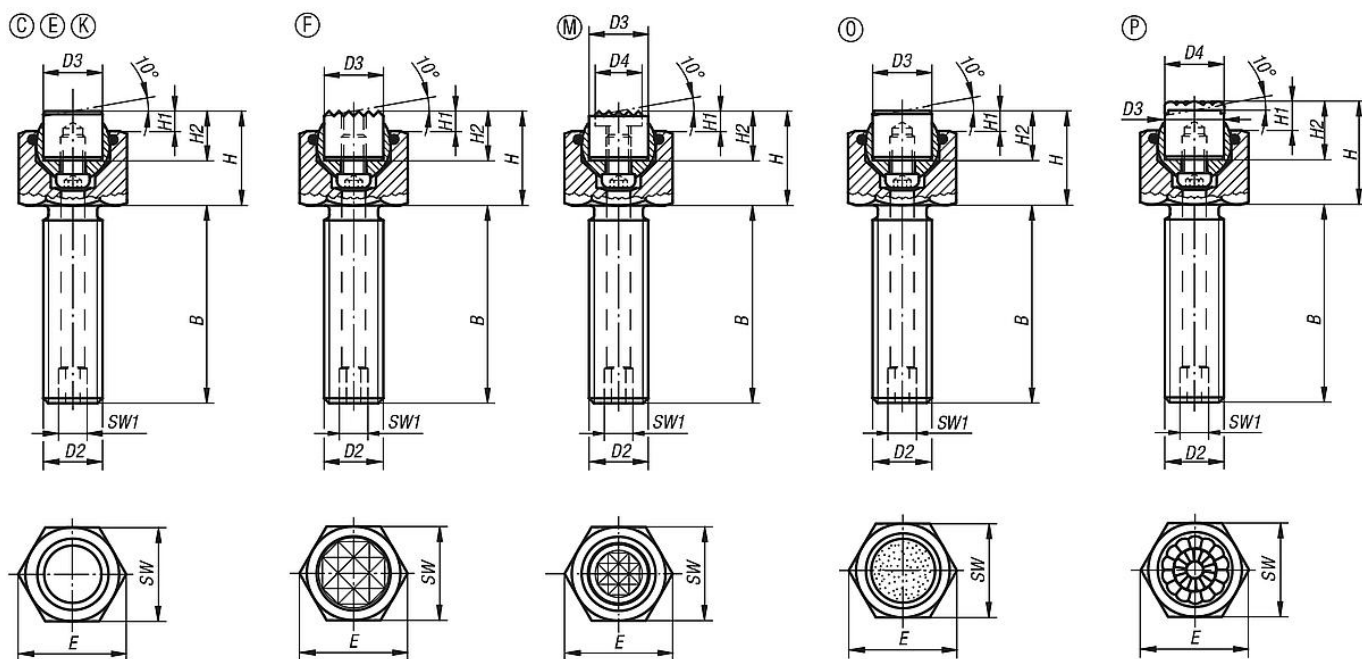
Form K: flattened POM insert, smooth

Form M: gripper, with carbide serrations

Form O: stainless steel insert diamond impregnated

Form P: stainless steel insert with polyurethane surface

Drawings



Overview of items

Order No.	Form	B	D2	D3	H	H1	H2	E	SW	SW1	Ball-Ø	Load rating max. kN (static load only)	Order No. steel insert
02007-110X015	C	15	M10	10	17	4	10	19,6	17	3	13	19	07113-10108
02007-110X030	C	30	M10	10	17	4	10	19,6	17	3	13	19	07113-10108
02007-110X050	C	50	M10	10	17	4	10	19,6	17	3	13	19	07113-10108
02007-112X020	C	20	M12	12	19	4	10	21,9	19	5	15	30	07113-12108
02007-112X040	C	40	M12	12	19	4	10	21,9	19	5	15	30	07113-12108
02007-112X060	C	60	M12	12	19	4	10	21,9	19	5	15	30	07113-12108
02007-116X025	C	25	M16	16	23	4	10	27,7	24	6	20	50	07113-16108
02007-116X050	C	50	M16	16	23	4	10	27,7	24	6	20	50	07113-16108
02007-116X080	C	80	M16	16	23	4	10	27,7	24	6	20	50	07113-16108
02007-120X030	C	30	M20	20	24	4	10	34,6	30	8	23	85	07113-20108
02007-120X060	C	60	M20	20	24	4	10	34,6	30	8	23	85	07113-20108
02007-120X100	C	100	M20	20	24	4	10	34,6	30	8	23	85	07113-20108
02007-124X040	C	40	M24	25	30	4	10	41,6	36	10	28	121	07113-25108
02007-124X100	C	100	M24	25	30	4	10	41,6	36	10	28	121	07113-25108