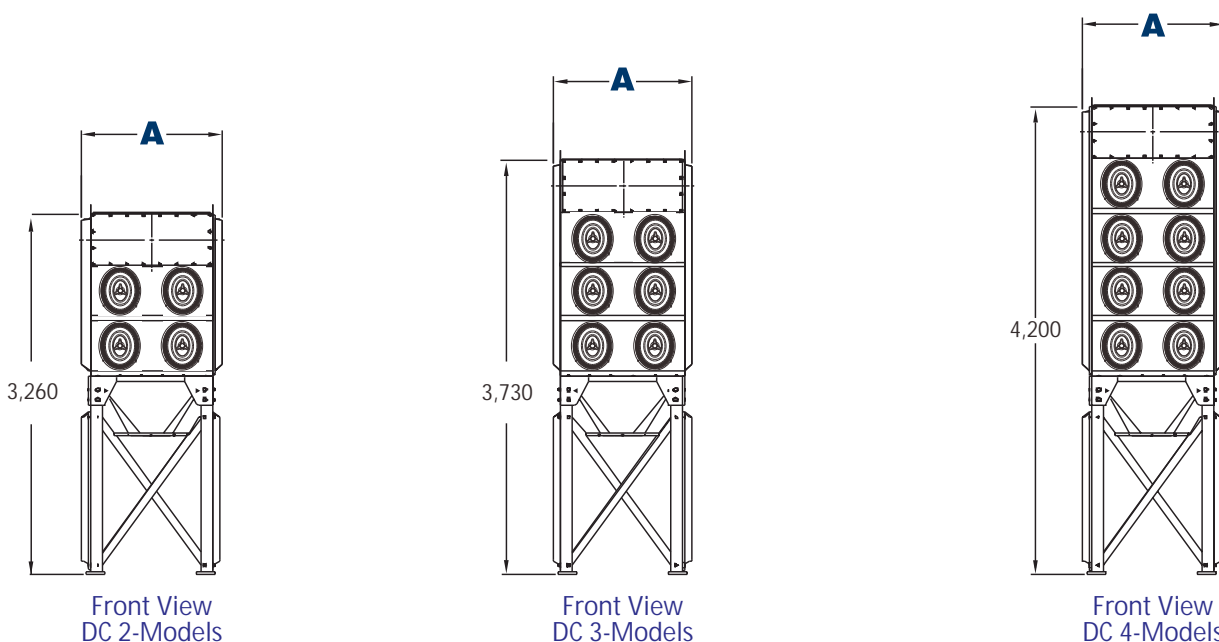


The ProArc Dust Collectors now set the standard for industrial dust and fume collection.

## Dimensions & Specifications

Model	Number of Filters	Number of Valves	Filter Area (m <sup>2</sup> )	Dimensions (mm)		
				A	B	C
DC 2-8	8	4	140	1,570	3,260	2,160
DC 3-12	12	6	210	1,570	3,730	2,160
DC 3-18	18	9	310	2,085	3,730	2,160
DC 3-24	24	12	420	2,600	3,730	2,160
DC 3-30	30	15	530	3,115	3,730	2,160
DC 3-36	36	18	630	3,630	3,730	2,160
DC 4-24	24	12	420	2,085	4,200	2,160
DC 4-32	32	16	560	2,600	4,200	2,160
DC 4-40	40	20	700	3,115	4,200	2,160

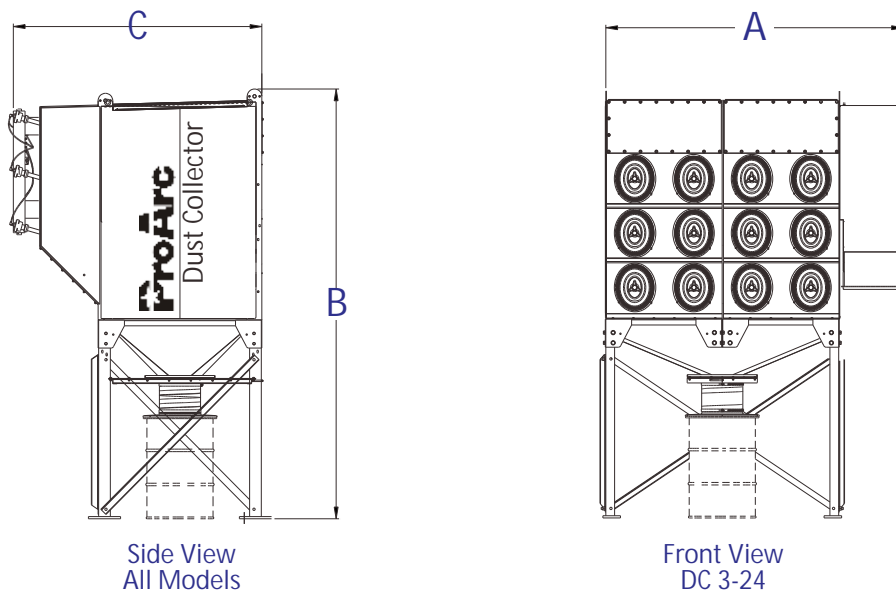
\*The first number indicates number of filter rows, and the second number indicates number of filter cartridges.



Front View  
DC 2-Models

Front View  
DC 3-Models

Front View  
DC 4-Models



Side View  
All Models

Front View  
DC 3-24