

## Item description/product images



## Description

**Material:**

Steel or stainless steel 1.4301.

**Version:**

Electro zinc-plated, thick-film passivated and top coat sealed.  
Stainless steel, bright.

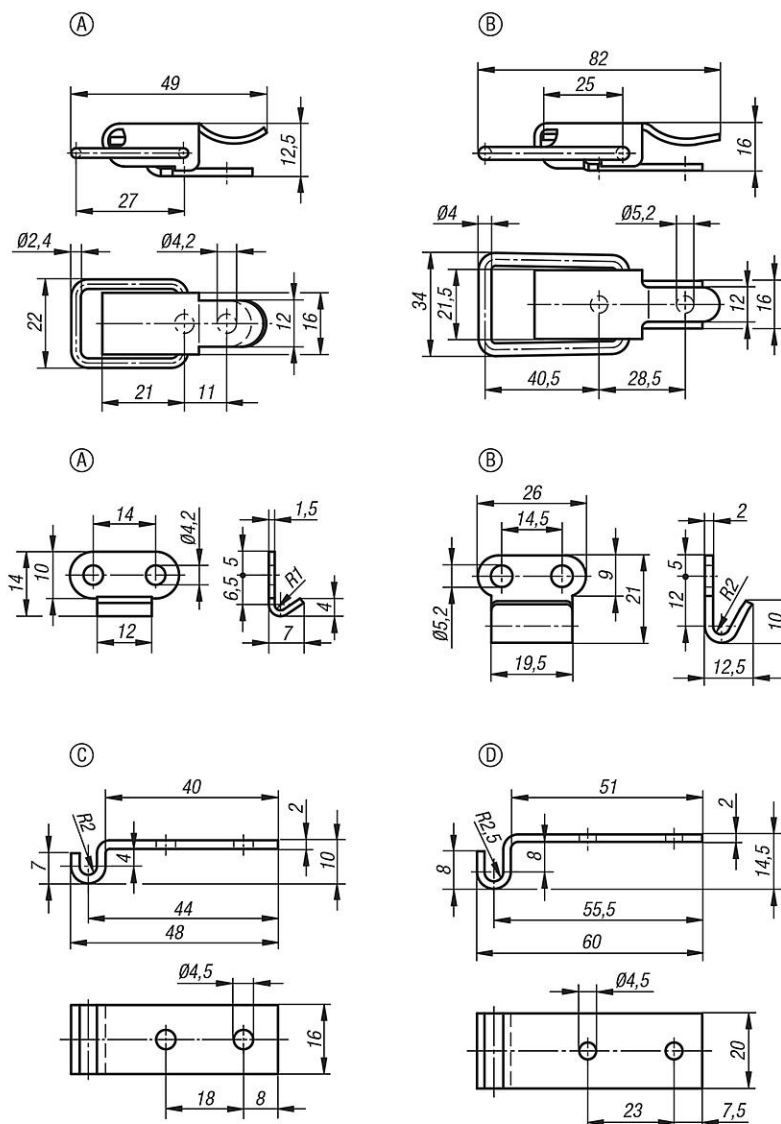
**Note:**

Latches with draw bail for securing and locking hatches, container lids, machine cladding etc. By exceeding the dead centre they resist vibration.  
The locking force is applied by drawing on the bail.

The latches can be screwed down or riveted. We recommend using countersunk screws for fastening the components.

Order catch plates separately.

## Drawings



## Overview of items

## Latches with draw bail

Order No. steel	Order No. stainless steel	Form	Retaining force F1 N
05531-1420491	05531-1420492	A	250
05531-2520821	05531-2520822	B	300

## Catch plate

Order No. steel	Order No. stainless steel	Form
05526-91420141	05526-91420142	A
05531-92520211	05531-92520212	B
05531-93450481	05531-93450482	C
05531-94450601	05531-94450602	D