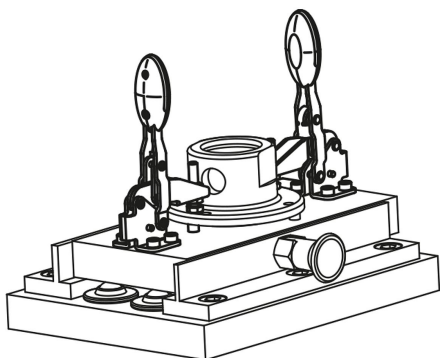


Vertical Toggle Clamps with flat foot and adjustable clamping spindle, stainless steel

Item description/product images



KIPPlöck



Description

Material:

Stainless steel.
Grip polyamide.

Version:

Natural finish.

Note:

Maintenance-free, high-quality swivel bushings. Consistently constant use of force when opening and closing. Optimum stability is achieved through the conical clamping arm with U-profile.

Accessory:

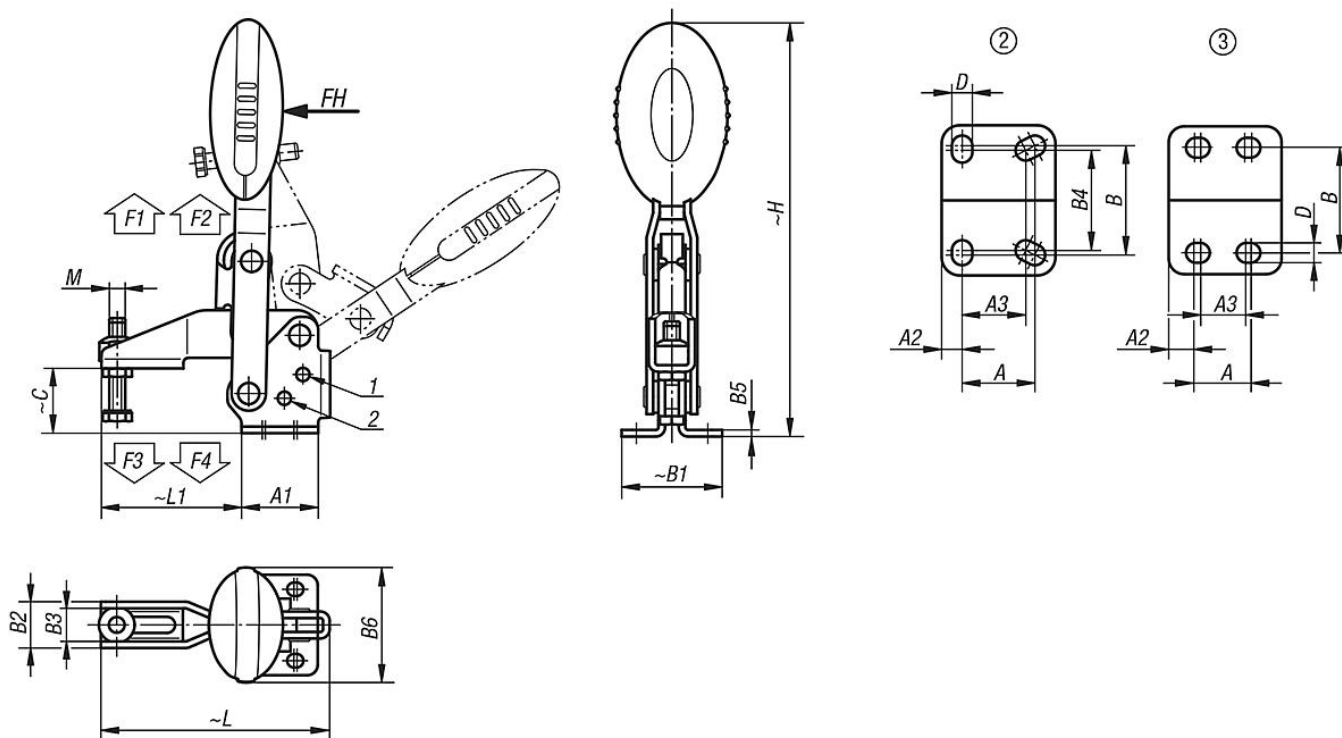
K0106
K0384
K0390
K0392
K0667

Drawing reference:

- 1) Stop pin Position 1
- 2) Stop pin Position 2

Vertical Toggle Clamps with flat foot and adjustable clamping spindle, stainless steel

Drawings



Vertical Toggle Clamps with flat foot and adjustable clamping spindle, stainless steel, metric

Item No.	Opening angle of holding arm position 1	Opening angle of holding arm position 2	Opening angle of holding arm stop pin removed	Opening angle of handle position 1	Opening angle of handle position 2	Opening angle of handle stop pin removed	Hand force FH N	Retaining force F1 N	Holding force F2 N	Clamping force F3 N	Clamping force F4 N
K0662.105001	100°	-	147°	64°	-	83°	100	750	1050	620	750
K0662.106001	56°	83°	152°	46°	56°	83°	160	1350	1650	920	1050
K0662.108001	13°	93°	158°	26°	61°	86°	190	2000	2800	940	1350

Item No.	hole arrangement	M	A	A1	A2	A3	B	B1	B2	B3	B4	B5	B6	C	D	H	L	L1
K0662.105001	2	M5x25	16	25	4,5	14	24	33	13,2	9,2	22	2	22,5	18	4,5	107,4	65,6	35
K0662.106001	3	M6x35	14	29	7	12	27	38	17,5	12,5	-	2,5	43,5	24,9	5,5	156,3	86,5	53
K0662.108001	3	M8x45	21	39	9	19	32	45	20,6	15,6	-	2,5	41,5	32,7	6,8	184,2	107	62