

WIND TENSIONERS

WD/WS

1500 bar
G 1/4"
FF



WDD



WSS & WSL



WSD



Tensioner Pumps pages 91-99

WIND TENSIONERS

Our tensioners have quality designed in with standard features that enhance durability and efficiency to get the job done faster and safer:

Quality Means Lower Life-Cycle Costs:

- Achieves 90% proof load requirement for ISO 898 Grade 10.9 bolts
- Fully enclosed load cell eliminates debris in piston retraction mechanism
- Auto-Engaging Geared Nut Rotator
- Self-energizing, long life seals

Enhanced Usability:

- Piston stroke limit indication
- High pressure swivel coupling (swivel is optional on WSS & WSL)
- 1,350 bar (19,580 psi maximum operating pressure)
- Automatic piston retraction mechanism

Designed with Safety in Mind:

- Overstroke prevention for safe operation
- Anti-slip grip surface
- Tool lifting-strap as standard



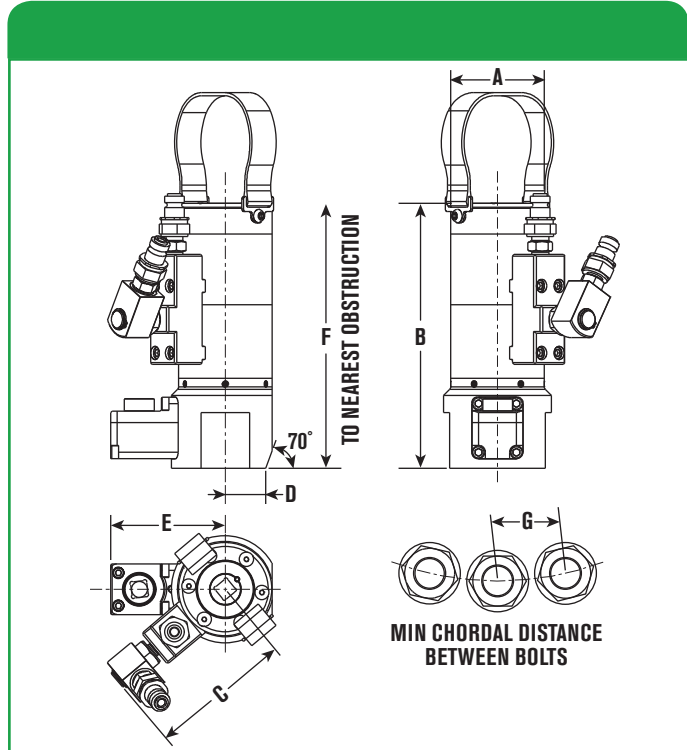
WIND TENSIONERS UP TOWER - WDD



Specifications and Dimensional Data

WDD UP TOWER WIND TENSIONERS

- Robust Gearbox Drive
- Auto-Engaging Geared Nut Rotator
- Small diameter, high load 2-Stage hydraulic load cell
- Fast application using 1/2" drive
- Cycle counter optional (Add "A" to end of part number)
- Max Pressure: 1,350 bar (19,580 psi)
- Twin coupling optional (Add "TC" to end of part number)



Tool Ref	A mm	B mm	C mm	D mm	E mm	F mm	G mm
WDD1-M30	74	210	112	37	91	290	64
WDD2-M33	79	214	115	39.5	93	298	70
WDD3-M36	85	239	117	42.5	96	332	76
WDD4-M39	92	249	121	46	99	348	79
WDD5-M42	98	255	124	49	102	360	90

Ordering Information

Order No.	Metric	Required Thread Protrusion mm	Stroke mm	Max Load kN	Hyd Area sq. mm	Wt kg
WDD1-M30	M30	63 - 70	7	467	3458	6.70
WDD2-M33	M33	67 - 74	7	569	4215	7.60
WDD3-M36	M36	71 - 80	10	671	4970	9.25
WDD4-M39	M39	72 - 86	10	801	5931	11.10
WDD5-M42	M42	80 - 92	10	926	6856	12.60

For twin hydraulic couplings (for multiple tool connection) add "TC" after part number. For cycle counter option, add "A" after code (eg. WDD1-M30A, WDD1-M30TCA)