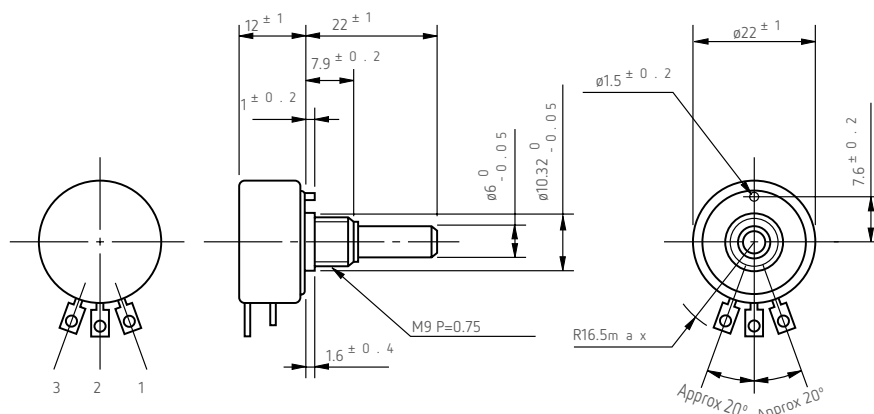




α FCP22E

Standard dimensions



**Model FCP22E
(Plastic Housing)**

- Note:**
- 1pc. Each inner teeth washer and hex nut are attached.
 - Please process the mounting hole on the panel to be mounted with this potentiometer by the diameter of $10.32\text{mm} \begin{smallmatrix} +0.05 \\ 0 \end{smallmatrix}$

General Specifications

Standard Resistance

Values: 1k, 2k, 5k, 10k (Ω)

Special Practical Resistance Values: 500, 20k, 50k, 100k (Ω)

Total Resistance Tolerance: Standard Class $\pm 15\%$ (L)
Precision Class $\pm 10\%$ (K)

Independent Linearity Tolerance: Standard Class $\pm 1.5\%$
Precision Class $\pm 1.0\%$

Resolution: Essentially infinite

Output Smoothness: Within 0.1% against input voltage

Contact Resistance

Variation: Within 2% C.R.V.

Power Rating: 1.0.W

Electrical Travel: $320^\circ \pm 5^\circ$

Mechanical Travel: 360° (Endless)

Insulation Resistance: Over 1,000M Ω at 500 V.D.C

Dielectric Strength: 1 minute at 500 V.A.C.

Starting Torque: Within 5mN·m (50gf·cm)

Resistance

Temperature Coefficient: $\pm 400\text{p.p.m./}^\circ\text{C}$

Mass: Approx. 20g

Special Specifications Available

Extra taps (available up to 1 tap). Rear shaft (6mm dia. and 20mm length), Multi-ganged (available up to 10 gangs), Stopper (rotating angle becomes 320° and stopper strength is $0.6\text{N}\cdot\text{m}$ [$6\text{kgf}\cdot\text{cm}$]), Special electrical travel, Inch dimensional shaft dia. ($\phi 6.35\text{mm}$) • Bushing with inch dimensions, Special machining on the shaft.