

Fact Sheet

CWL-L

BIZERBA

The dynamic in-motion scales of the CWL series are specifically designed for the requirements in the logistics industry. Even in case of high speeds or high loads the verifiable checkweighers or catchweighers provide accurate weighing results. Design your individual solution with the variety of models and options.

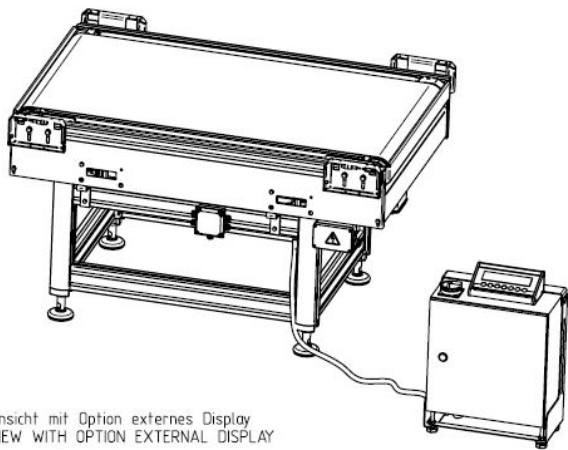


More information
High performance
with a wide range of
solutions and options.

Specifications	Facts	Details
Applications	<ul style="list-style-type: none"> – Automatic weighing instrument/ catchweigher for individual weighings (ACW) with Y(a)/Y(b), also postal; combinable with WM-3 Logistics Weighing Terminal, iS30 Logistics Weighing Terminal and iS50 Logistics Weighing Terminal – Automatic checkweigher (AChW) with XIII(1)/XIII(2); combinable with iS30 Logistics Weighing Terminal and iS50 Logistics Weighing Terminal – Combined application Y(a)/XIII(1) or Y(b)/XIII(2); combinable with iS50 Logistics Weighing Terminal (see graphics page 3) 	Metrologically approved version in accordance with MID up to 6,000e
Device version	Aluminum IP54 rating 4-cell technology Metrologically certified	Max. 20 degree tilt possible OIML, GUS, NTEP More upon request
Weighing terminal	WM-3 Logistics Weighing Terminal iS30 Logistics Weighing Terminal iS50 Logistics Weighing Terminal	Optionally with <ul style="list-style-type: none"> – Mini display or external display and operating keyboard as metrology display – Column – Column
Control cabinet	Remote	Control cabinet optional with fasteners
Network interfaces	RS422 RS232 Ethernet 10/100 MB USB master for keyboard, mouse, data export, scanner in keyboard loop Profibus-DP Profinet I/O Availability depending on weighing terminal (see graphics page 3)	
Static inputs/outputs	I/O (4/4) Optional I/O (8/8)	<ul style="list-style-type: none"> – Outputs: I_{max}=50 mA at 5-30 V DC – Inputs: I_{min}=1.3-11.3 mA at 5-30 V DC – Individual function assignment for all input and output signals – Flexible signal hold / delay times – Flexible signal levels: active high or active low

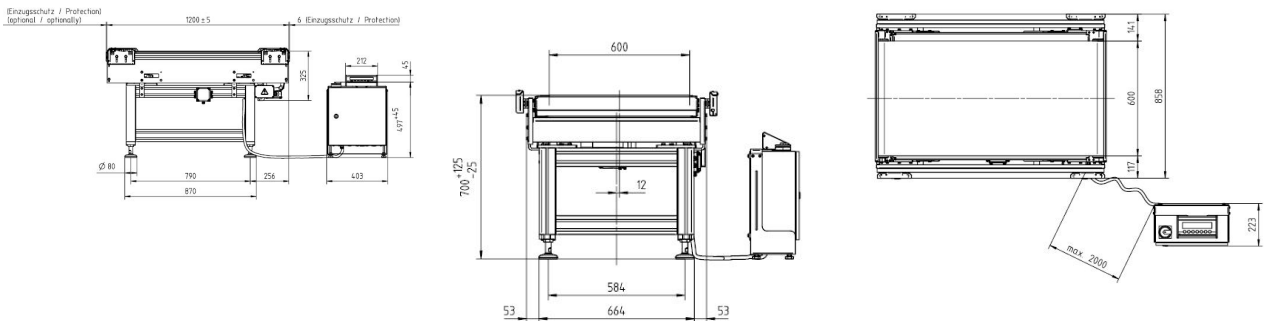
Analog output	Optional	16 bit 0/4-20 mA or 0-10 V
Mains voltage	230 V/50 Hz	Optional 24 V AC/DC
Operating temperature	0 °C to +40 °C +5 °C to +40 °C	CWL-L 6.000e
Humidity	20 - 90%, non-condensing	
Weighing ranges	15 kg/5 g 30 kg/5 g 30 kg/10 g 32 kg/10 g 60 kg/20 g	Minimum load Y(a/b): 100 g/Y(a/b), for postal services: 25 g XIII(1)/XIII(2): 2,000 g Y(a/b): 200 g/Y(a/b), for postal services: 50 g XIII(1)/XIII(2): 2,000 g Y(a/b): 400 g/Y(a/b), for postal services: 100 g XIII(1)/XIII(2): 2,000 g
Hand guard	On the sides and on the drive roller	Optional protective guard on deflection roller
Options	Facts	Details
Conveyor dimensions	Conveyor dimensions flexibly combinable Conveyor length: max. 3,000 mm Conveyor width: max. 1,200 mm	Special dimensions possible
Conveying heights	420-525 mm 475-625 mm 575-725 mm 675-825 mm 775-925 mm	Special heights possible
Conveyor speeds	0.20-0.60 m/s 0.50-1.30 m/s 1.20-3.10 m/s	Max. conveying speed at CWL-L 6,000e 2.0 m/s
Motor mounting position	In conveying direction right or left	
Conveying direction	Right to left Left to right	With regard to the motor mounting
Light sensors	Sensors and reflectors not included in scope of delivery	Optional – Sensors and reflectors are part of scope of delivery (standard light sensor from 20 mm package height) – Universal bracket for light sensors and reflectors – Additional light sensors – Light curtain at a package height < 20 mm – Additional light curtain
Frequency converters	In control cabinet	Frequency converter can be supplied by Bizerba or provided by customer

Info graphics



Ansicht mit Option externes Display
VIEW WITH OPTION EXTERNAL DISPLAY

Dimensional drawings



See also

📄 [CWL-L_Anhang.pdf](#) [▶ 4]

	Accuracy class						Interfaces						Digital inputs/outputs				Analog Outputs			Programmable logic controller (PLC)	Max. numbers of load receptors							
	Y(a)	Y(b)	Y(a) for postal service	Y(b) for postal service	XIII(1)	XIII(2)	Y(a) + XIV(1)	Y(b) + XIV(2)	RS232 galvanically isolated	RS232 not galvanically isolated	RS232 galvanically isolated	Ethernet 10/100MB	Profibus	Profinet I/O	USB service	USB Master	first interface card, 4x4	first interface card, 8x8	second interface card, 4x4			second interface card, 8x8	third interface card, 4x4	third interface card, 8x8	first output	second output	third output	
Weighing module																												
WM-L	•	•	•	•	-	-	-	•	-	○	○	○	○	•	-	•	○	-	-	-	-	○	-	-	-	-	-	-
Weighing terminal																												
iS30-L	•	•	•	•	•	•	-	○	•	○	○	○	○	○	○	•	○	○	○	○	○	○	○	○	○	○	○	○
iS50-L	•	•	•	•	•	•	•	○	-	○	○	○	○	○	○	•	○	○	○	○	○	○	○	○	○	○	○	○
	Minimum load						Prepack regulations																					
CWL-L																												
15 kg / 5 g	100 g	50 g	25 g	2000 g	3,330 kg																							
30 kg / 5 g	100 g	50 g	25 g	2000 g	3,330 kg																							
30 kg / 10 g	200 g	100 g	50 g	2000 g	6,670 kg																							
32 kg / 10 g	200 g	100 g	50 g	2000 g	6,670 kg																							
60 kg / 20 g	400 g	200 g	100 g	2000 g	10,02 kg																							

• Default
 ○ Option
 - not available

WM-L WM-3 Logistic Weighing Terminal
 iS30-L iS30 Logistic Weighing Terminal
 iS50-L iS50 Logistic Weighing Terminal

Dialog

	serial			Ethernet TCP/IP UDP/TCP server			Ethernet TCP/IP UDP/TCP client			Field bus Profibus DP			Field bus Profinet		
	WM-L	iS30-L	iS50-L	WM-L	iS30-L	iS50-L	WM-L	iS30-L	iS50-L	WM-L	iS30-L	iS50-L	WM-L	iS30-L	iS50-L
IX (default)	•	•	•	•	•	•	•	•	•	-	-	-	-	-	-
IX (fixed data length)	•	•	•	•	•	•	•	•	•	-	-	-	-	-	-
Sick MSC 800	•	•	•	•	•	•	•	•	•	-	-	-	-	-	-
Sick MSC 800 / 2	•	•	•	•	•	•	•	•	•	-	-	-	-	-	-
Protocol type 'Weight&C'	•	•	•	•	•	•	•	•	•	-	-	-	-	-	-
Protocol type 'SD'	•	•	•	•	•	•	•	•	•	-	-	-	•	-	•
Protocol type 'ST'	-	•	•	-	•	•	-	-	-	-	-	-	-	-	-
DWRL_V1	-	-	•	-	-	-	-	-	•	-	-	-	-	-	-
PESA	•	-	-	-	-	-	-	-	-	-	-	-	-	-	-
FSC7	-	-	-	•	-	-	-	-	-	-	-	-	-	-	-
WM-Scale	-	-	-	-	-	-	-	-	-	•	•	•	•	•	•

Licenses

	WM-L	iS30-L	iS50-L
Data input devices			
Scanner	•	•	•
Volume measuring device	•	•	•
Data output devices			
Printer: GLP58; Epson Printer; GLP80/160	•	•	•
Siebert Display	•	•	•
Weight 8C	•	•	•
MSC 800	•	•	•
MSC 800/2	•	•	•
SD Dialog	•	•	•
Vitronic Dialog	•	-	-
FSC 7 Dialog	•	-	-
Extended ES on SD card	•	•	•
Recording Database	-	•	•
Field bus	•	•	•
Analog Output Codesys	-	-	•
In-motion weighing			
License In-motion weighing	•	•	•
Dynamic calibration	•	•	•
Tolerance control	•	•	•
Statistics	-	•	•
Counting	-	•	•

Bizerba SE & Co. KG

Wilhelm-Kraut-Straße 65
72336 Balingen

T +49 7433 12-0
fax: +49 7433 12-2696
marketing@bizerba.com

www.bizerba.com