

Air Booster Nozzles

42 mm wide

- ▶ Uniform distribution resulting from the unique flat design.
- ▶ 42 mm wide standard flat air nozzle with $\phi 1.0$ mm orifice.

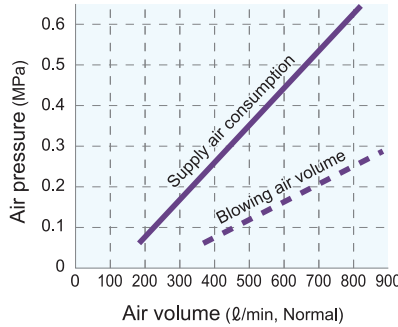
Flat Type



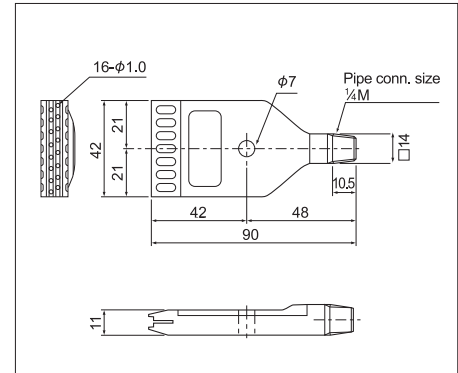
【Spray pattern】



Material: PPS
 Mass: 30 g
 Max. air pressure: 0.7 MPa (100 psi)
 Max. allowable temperature: 120°C (240°F)



■ Dimensions



24 mm wide
 Compact type

- ▶ Ultra-compact air nozzle (24 mm wide, 30 mm long) with equal high spray impact and minimal noise level.
- ▶ Compact enough to install in a narrow space, such as for blow-off drying in corners.

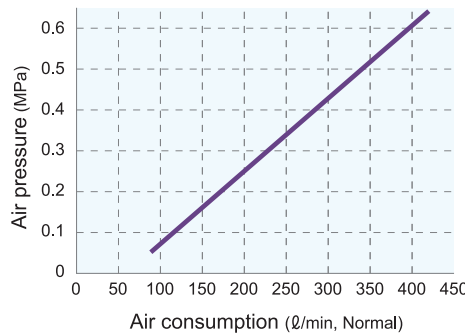
Flat Type



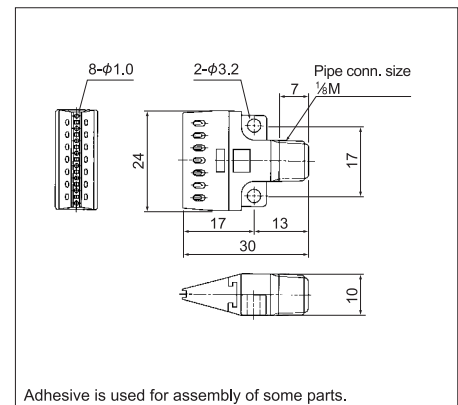
【Spray pattern】



Material: PPS
 Mass: 4 g
 Max. air pressure: 0.7 MPa (100 psi)
 Max. allowable temperature: 120°C (240°F)



■ Dimensions



How to order

Please inquire or order for a specific nozzle using this coding system.

① 42 mm wide type

1/4M (PT) TF-F 42-16-010 PPS

Thread type

■ (PT)

■ (NPT)

② 24 mm wide, compact type

1/8M TF-F 24-8-010 PPS-IN

For compressors

Flat Type
Stainless Steel

FEATURES

- Powerful air nozzle dramatically multiplies the supplied air volume.
- Uniform distribution resulting from the unique flat design.

Flat Type



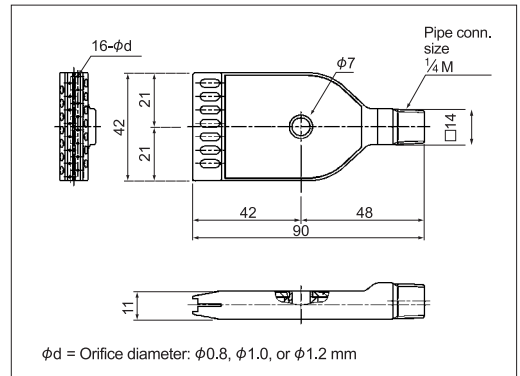
42 mm wide

- ▶ 42 mm wide standard flat air nozzle, available in three orifice diameters: $\phi 0.8$, $\phi 1.0$, or $\phi 1.2$ mm.
- ▶ Made of stainless steel with high resistance to shock and heat.

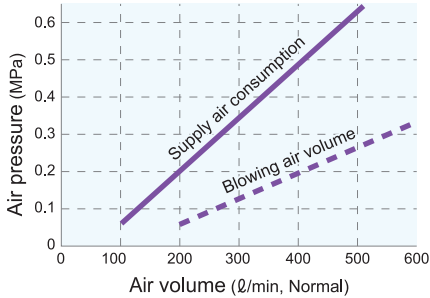


Material: S316L equivalent
Mass: 144 g
Max. air pressure: 1.0 MPa (140 psi)
Max. allowable temperature: 400°C (750°F)

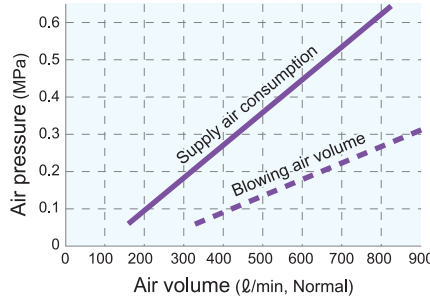
■ Dimensions



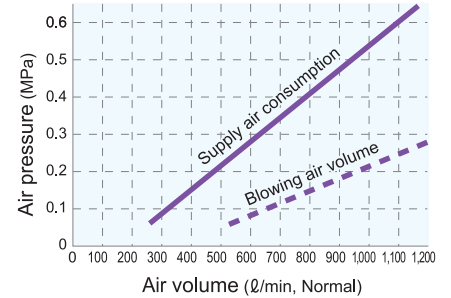
【Orifice diameter $\phi 0.8$ 】



【Orifice diameter $\phi 1.0$ 】



【Orifice diameter $\phi 1.2$ 】



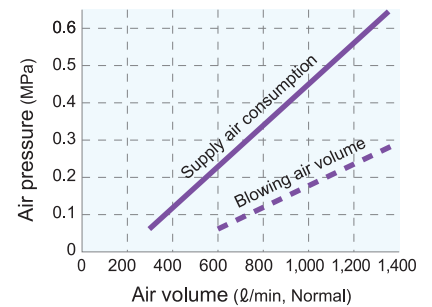
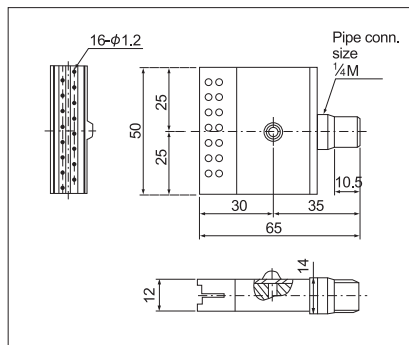
50 mm wide

- ▶ Compact and wider flat air nozzle, 50 mm wide and 65 mm long.



Material: S304
Mass: 140 g
Max. air pressure: 1.0 MPa (140 psi)
Max. allowable temperature: 400°C (750°F)

■ Dimensions



How to order

Please inquire or order for a specific nozzle using this coding system.

① 42 mm wide type <Example> 1/4M (PT) TF-F 42-16-010 S316L-IN

1/4M (PT) TF-F 42-16-010 S316L-IN

Thread type
■ (PT)
■ (NPT)

Orifice diameter code
■ 008 ($\phi 0.8$)
■ 010 ($\phi 1.0$)
■ 012 ($\phi 1.2$)

② 50 mm wide type

1/4M TF-F 50-16-012 S304