

Horizontal Toggle Clamps with flat foot and adjustable clamping spindle

Item description/product images

METRIC
Parts



KIPPIlock



Angle bracket for front face mounting (see accessories)

Description

Material:

Steel;
Grip polyamide.

Version:

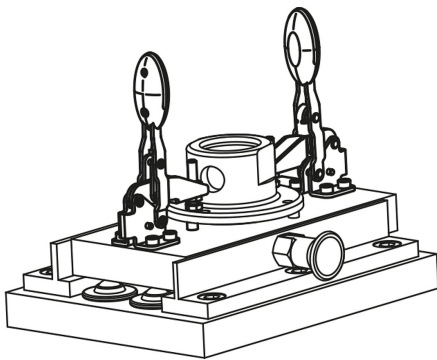
Nitro-carburized and black oxidized

Note:

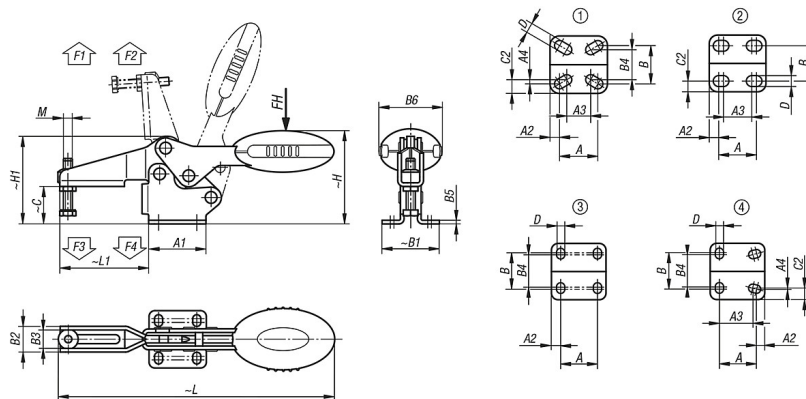
Maintenance-free, high-quality swivel bushings. Consistently constant use of force when opening and closing. Optimum stability is achieved through the conical clamping arm with U-profile.

Accessory:

- K0106
- K0098
- K0383
- K0388
- K0390
- K0391
- K0392
- K0393



Drawings



Horizontal Toggle Clamps with flat foot and adjustable clamping spindle

Horizontal Toggle Clamps with flat foot and adjustable clamping spindle, metric

Item No.	hole arrangement	Opening angle of holding arm		Opening angle of handle		Hand force FH N	Retaining force F1 N	Holding force F2 N	Clamping force F3 N	Clamping force F4 N	Item No. Angle Bracket
K0660.004001	1	87°		69°		80	400	500	250	300	K0098.02
K0660.005001	2	86°		67°		100	650	900	550	620	K0098.02
K0660.006001	3	86°		67°		160	1350	1900	720	1200	K0098.04
K0660.008001	3	86°		67°		200	2000	2800	830	1400	K0098.04
K0660.010001	3	90°		71°		250	2200	4500	1200	2800	K0098.06
K0660.012001	4	88°		68°		280	2400	5500	1000	2800	K0098.06

Item No.	M	A	A1	A2	A3	A4	B	B1	B2	B3	B4	B5	B6	C	C2	D	H	H1	L	L1
K0660.004001	M4x16	16	24	4	12,8	0,95	16	24	10,2	7,2	14,1	1,5	20	11,7	4,95	4,2	28,7	26,3	91,8	23,7
K0660.005001	M5x25	18	27	4,5	13,5	-	16,8	27,3	13,2	9,2	-	2	22,5	17,2	5,25	5,5	43,4	38,9	125,7	41,8
K0660.006001	M6x35	26	39	6,5	-	-	28	39	17,5	12,5	23	2,5	43,5	25,4	-	5,5	63,7	59,6	186,6	60,5
K0660.008001	M8x45	26	44	9	-	-	31	45	21	16	24	2,5	41,5	32,2	-	6,2	73,9	70,1	223,1	74,9
K0660.010001	M10x55	41,5	59	9	-	-	43	59	26	19	39	3,5	47	40	-	8,8	94,8	88	279,4	103,9
K0660.012001	M12x70	44	65	10	40	1	42	67	28	21	40	3,5	47	52,3	13,5	8,5	104,8	101,6	314,7	122