

Item description/product images



Description

Material:
Metal parts stainless steel.

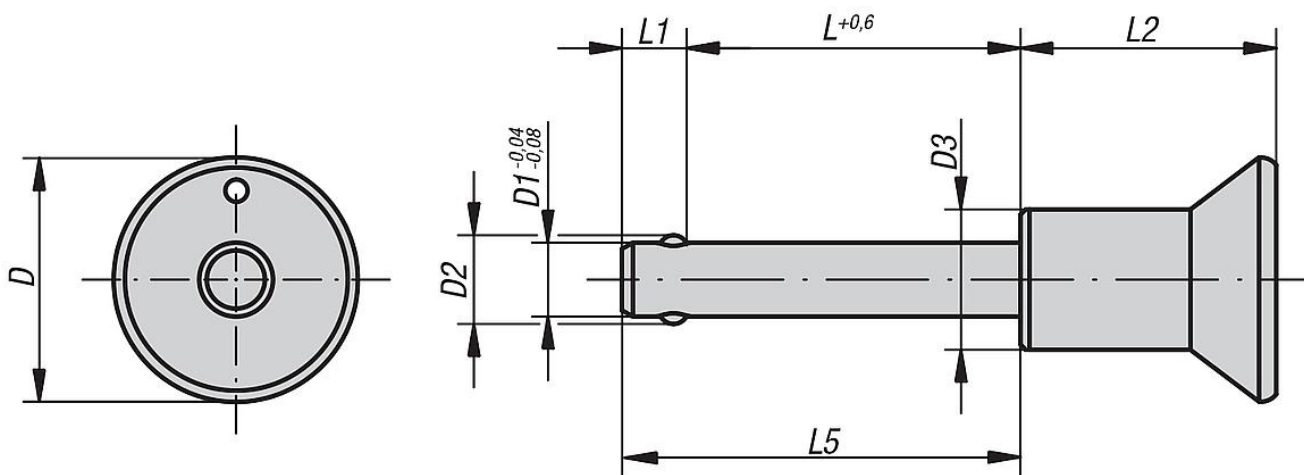
Version:
Bright.

Note:
Ball lock pins are used for quick and easy fastening and joining of parts and workpieces.
The two balls are disengaged by pressing the push button and the pin can be slipped into holes in the workpieces. Release the button to lock the balls and secure the connection.
Corrosion resistant.
Option for connecting retaining cable.

Shear force double-shear (F) = S · τ aB max.

Accessory:
Safety spiral cable: 03199-10200
Retaining cable with loop: 03199-...
Key Ring 03199-15/19/23
Bushing for ball lock pins 03197....

Drawings



Overview of items

Order No.	D	D1	D2	D3	L	L1	L2	L5	Receiving hole H11	Shearing force double shear max.kN
03194-2305***	25	5	5,5	14	10/15/20/25/30	6	26,5	16/21/26/31/36	5	15
03194-2306***	25	6	6,85	14	10/15/20/25/30/35/40/45/50	7	26,5	17/22/27/32/37/42/47/52/57	6	22
03194-2308***	25	8	9,5	14	20/25/30/35/40/45/50	8	26,5	28/33/38/43/48/53/58	8	38
03194-3110***	33	10	12	19	20/25/30/35/40/45/50/60	9	34,6	29/34/39/44/49/54/59/69	10	60
03194-3112***	33	12	14,5	19	25/30/35/40/45/50/60/70/80	10	34,6	35/40/45/50/55/60/70/80/90	12	86
03194-3116***	33	16	19	20	30/35/40/45/50/60/70/80	13,3	34,6	43,3/48,3/53,3/58,3/63,3/73,3/83,3/93,3	16	153

