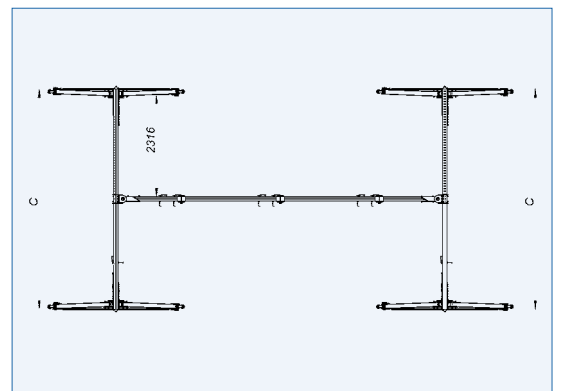
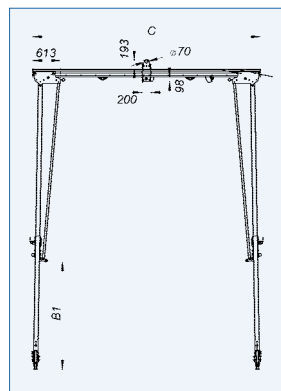
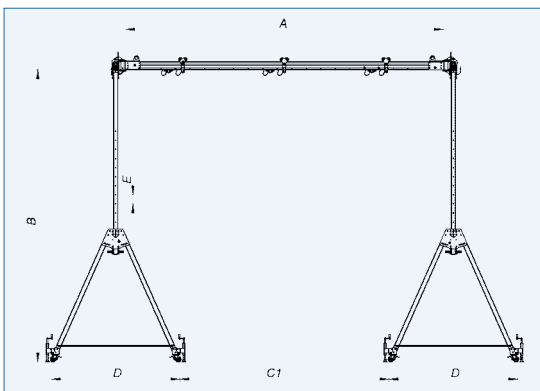
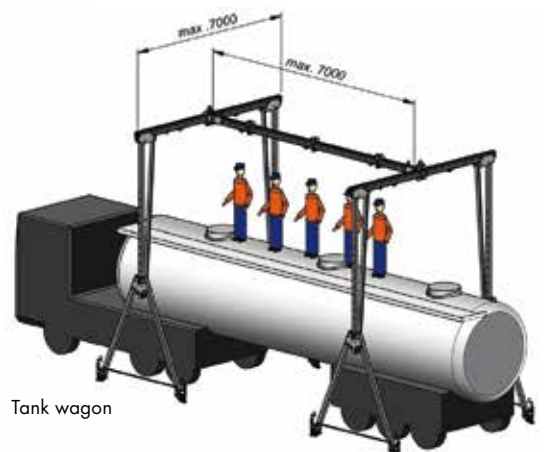
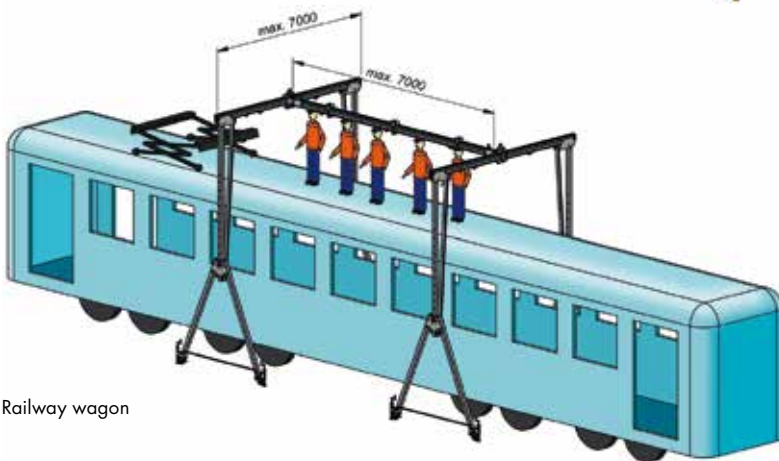
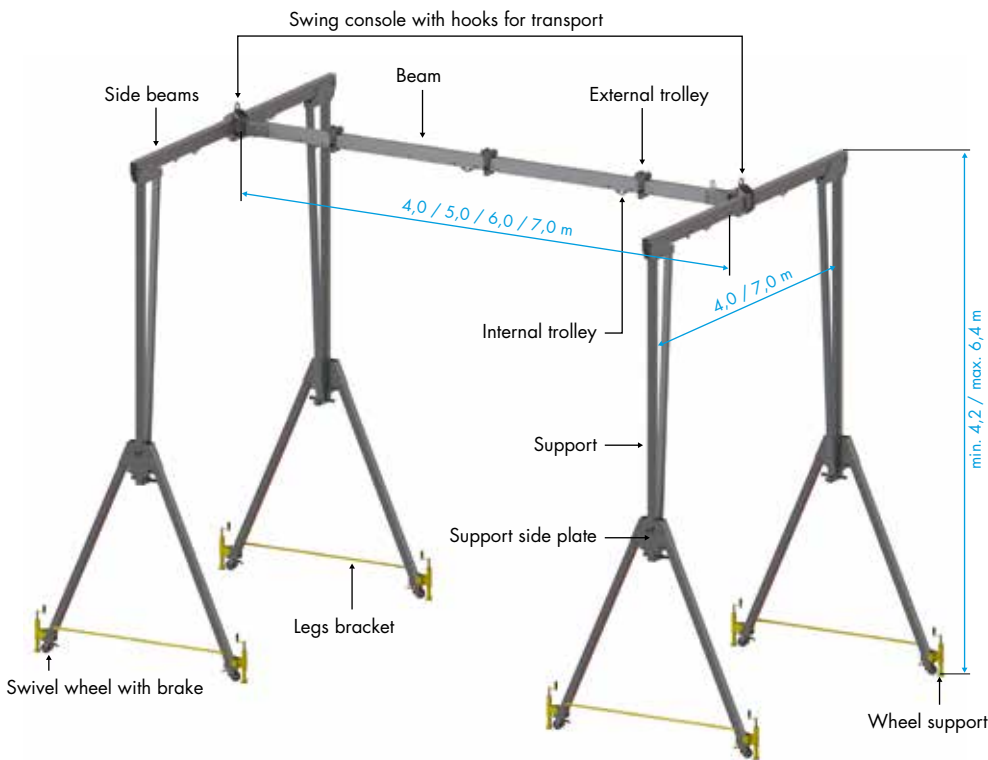


PLANETA RHPK

Features:

- Capacity: 1,000 kg
- Beam length centre: max. 7 m
- Beam length side: max. 7 m
- Swivel connection between side beam and centre beam.
- Swivel console equipped with hooks to hang the entire gantry crane.
- Maximum number of persons: 5



TYPE RHPK ...		4	5	6	7
Capacity	kg	1,000	1,000	1,000	1,000
Beam length (A)	mm	4,000	5,000	6,000	7,000
Working span (C)	mm	4,000	5,000	6,000	7,000
Span width floor (C1)	mm	1,384	2,384	3,384	4,384
Support height (min. – max.) (B)	mm	4,200 – 6,400	4,200 – 6,400	4,200 – 6,400	4,200 – 6,400
Under roller height (min.–max.) (B1)		164 – 2 364	164 – 2 364	164 – 2 364	164 – 2 364
Leg spacing (D)	mm	2,834	2,834	2,834	2,834
Grid steps (height) (E)	mm	200	200	200	200
Order No.		J00839	J00840	J00841	J00842

