



**I.T.E.**  
ITALIAN TECHNICAL EQUIPMENT

**V41**  
DATASHEET



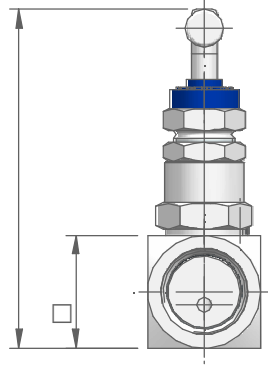
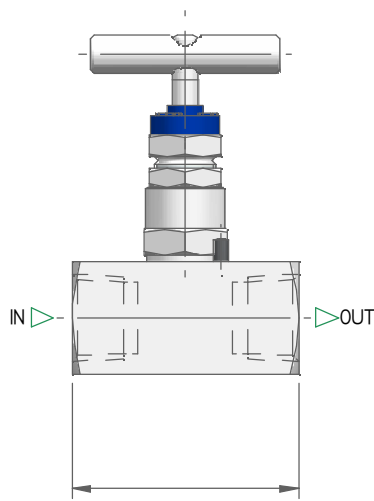




# MODEL: V41

## BAR STOCK HAND NEEDLE VALVE

Bar stock needle valve designed for operation with any fluid.



### MODEL SELECTION

MODEL	MATERIAL	PACKING	IN	OUT	CODE	WEIGHT	NOTE
V41	AISI 316L	PTFE	1/2" NPT-F	1/2" NPT-F	V41-06ST8N8N	0,5 Kg	Packing material PTFE as standard max temperature 180°C.  The dimensions shown apply only to the illustrated valve – if you need the dimensions for your individual type or should you still not find your options at all please contact the factory.
	ASTM A105				V41-06AT8N8N		
	F51				V41-06DT8N8N		
	F55				V41-06ET8N8N		
	ALLOY 400				V41-06FT8N8N		
	C276				V41-06GT8N8N		
	6MO				V41-06HT8N8N		
	I625				V41-06IT8N8N		
	AISI 316L				V41-10ST8N8N		
	ASTM A105				V41-10AT8N8N		
	F51				V41-10DT8N8N		
	F55				V41-10ET8N8N		
	ALLOY 400				V41-10FT8N8N		
	C276				V41-10GT8N8N		
	6MO				V41-10HT8N8N		
	I625				V41-10IT8N8N		

I.T.E. s.r.l. COMMITS ITSELF TO CONSTANTLY IMPROVE ITS PRODUCTS AND THEREFORE IT RESERVES THE RIGHT TO MODIFY DATA, FEATURES WITHOUT NOTICE.

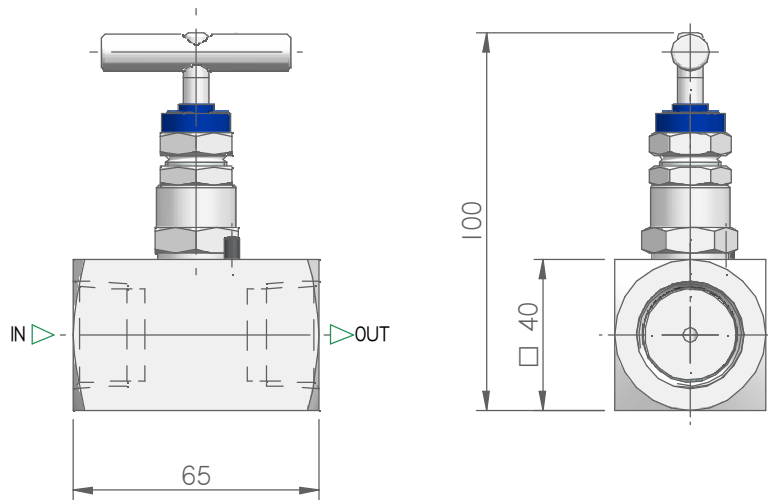
[www.ite-srl.com](http://www.ite-srl.com)

# MODEL: V41

BAR STOCK HAND NEEDLE VALVE



Bar stock needle valve designed for operation with any fluid.



## MODEL SELECTION

MODEL	MATERIAL	PACKING	IN	OUT	CODE	WEIGHT	NOTE
V41	AISI 316L	PTFE	3/4" NPT-F	3/4" NPT-F	V41-06ST12N12N	0,8 Kg	Packing material PTFE as standard max temperature 180°C.  The dimensions shown apply only to the illustrated valve – if you need the dimensions for your individual type or should you still not find your options at all please contact the factory.
	ASTM A105				V41-06AT12N12N		
	F51				V41-06DT12N12N		
	F55				V41-06ET12N12N		
	ALLOY 400				V41-06FT12N12N		
	C276				V41-06GT12N12N		
	6MO				V41-06HT12N12N		
	I625				V41-06IT12N12N		
	AISI 316L				V41-10ST12N12N		
	ASTM A105				V41-10AT12N12N		
	F51				V41-10DT12N12N		
	F55				V41-10ET12N12N		
	ALLOY 400				V41-10FT12N12N		
	C276				V41-10GT12N12N		
	6MO				V41-10HT12N12N		
	I625				V41-10IT12N12N		

I.T.E. s.r.l. COMMITS ITSELF TO CONSTANTLY IMPROVE ITS PRODUCTS AND THEREFORE IT RESERVES THE RIGHT TO MODIFY DATA, FEATURES WITHOUT NOTICE.

[www.ite-srl.com](http://www.ite-srl.com)

# NEEDLE VALVES

1 2 3 4 5 6 7 8 9 10 11 12 14 15

EX.: V 4 1 - 0 6 S T 8 I 8 I P M

## MODEL

V41 Needle vlv F/F

## RATING

06 6000 PSI  
10 10000 PSI

## MATERIAL

S Aisi 316L  
A A105  
D F51  
E F55  
F Monel 400  
G C276 Hastelloy  
H 6 Mo/F44  
I Inconel 625

## PACKING

T Teflon  
G Graphoil

## IN

4 1/4"  
6 3/8"  
8 1/2"  
12 3/4"  
20 M20 x 1,5

## THREAD

N NPT  
I BSPP GAS (ISO 1179)  
R BSPP GAS (EN 837-1) - Gauge connection  
K BSPT R/RC (ISO 7)  
S Socket Weld  
M ISO

## OUT (Same as "IN" standard)

4 1/4"  
6 3/8"  
8 1/2"  
12 3/4"  
20 M20 x 1,5

## THREAD (Same as "IN" standard)

N NPT  
R GAS EN 837-1 (Gauge connections)  
I BSPP GAS (ISO 1179)  
K BSPT R/RC (ISO 7)  
S Socket Weld  
M ISO

## OPTIONS

/  
B All component 316L  
C Special testing  
D Custom marking  
L Lox cleaning  
TI Isolate Anti-tamper  
K Padlock for all anti tamper bonnet  
PM Panel mounting  
EX Up to 130mm extended lenght  
T Mounted plug drain  
KT Padlock for all T-bar bonnet  
CR Criogenic Version  
P8 Internal bore 8mm