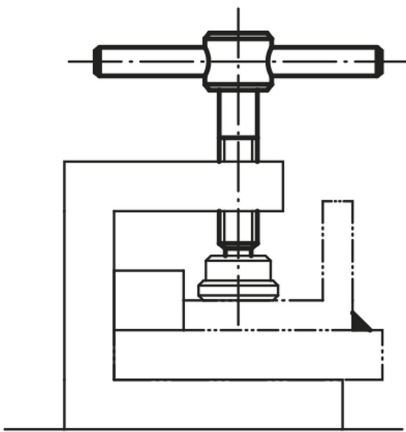


Item description/product images

**Description****Material:**

Steel.

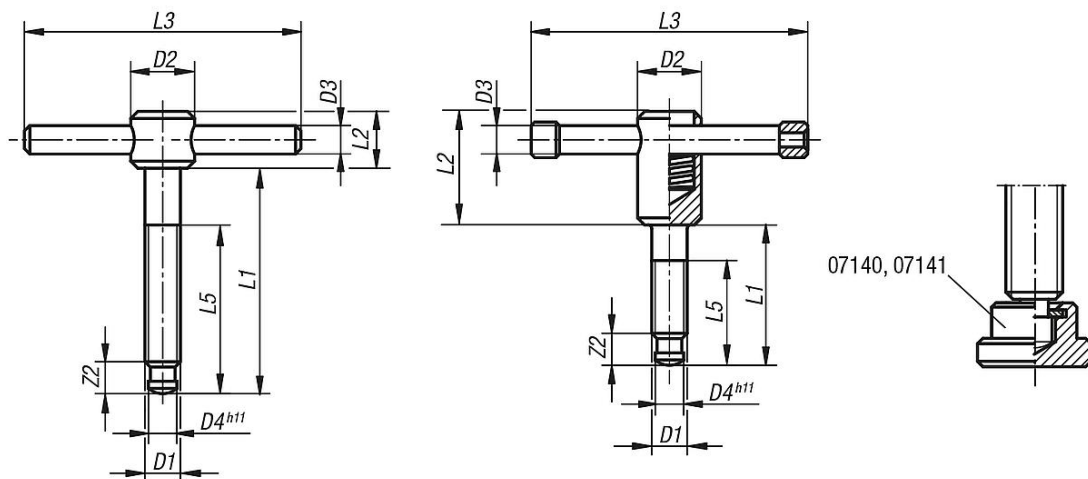
Version:

Black oxidised. Thrust pin hardened.

Note:

By the thrust screws with sliding T-bar the bar is held in any desired position by a spring in the body. End stops prevent the bar falling out. By the fixed handles the T-bar is pressed in.

Drawings



Overview of items

| Order No. | Version 1 | D1 | D2 | D3 | D4 | L1 | L2 | L3 | L5 | Z2 |
|---------------|---------------|-----|----|----|------|-----|----|-----|----|-----|
| 06150-106X40 | fixed t-bar | M6 | 12 | 5 | 4,5 | 40 | 10 | 50 | 30 | 6 |
| 06150-106X50 | fixed t-bar | M6 | 12 | 5 | 4,5 | 50 | 10 | 50 | 40 | 6 |
| 06150-108X50 | fixed t-bar | M8 | 14 | 6 | 6 | 50 | 12 | 60 | 35 | 7,5 |
| 06150-108X60 | fixed t-bar | M8 | 14 | 6 | 6 | 60 | 12 | 60 | 45 | 7,5 |
| 06150-110X60 | fixed t-bar | M10 | 18 | 8 | 8 | 60 | 14 | 80 | 40 | 9 |
| 06150-110X70 | fixed t-bar | M10 | 18 | 8 | 8 | 70 | 14 | 80 | 50 | 9 |
| 06150-112X70 | fixed t-bar | M12 | 20 | 10 | 8 | 70 | 18 | 100 | 50 | 10 |
| 06150-112X80 | fixed t-bar | M12 | 20 | 10 | 8 | 80 | 18 | 100 | 60 | 10 |
| 06150-116X75 | fixed t-bar | M16 | 24 | 12 | 12 | 75 | 20 | 120 | 55 | 12 |
| 06150-116X90 | fixed t-bar | M16 | 24 | 12 | 12 | 90 | 20 | 120 | 70 | 12 |
| 06150-116X110 | fixed t-bar | M16 | 24 | 12 | 12 | 110 | 20 | 120 | 90 | 12 |
| 06150-120X75 | fixed t-bar | M20 | 30 | 16 | 15,5 | 75 | 28 | 140 | 55 | 14 |
| 06150-120X90 | fixed t-bar | M20 | 30 | 16 | 15,5 | 90 | 28 | 140 | 70 | 14 |
| 06150-120X110 | fixed t-bar | M20 | 30 | 16 | 15,5 | 110 | 28 | 140 | 90 | 14 |
| 06150-210X40 | sliding t-bar | M10 | 18 | 8 | 8 | 40 | 32 | 80 | 30 | 9 |
| 06150-210X50 | sliding t-bar | M10 | 18 | 8 | 8 | 50 | 32 | 80 | 40 | 9 |
| 06150-212X50 | sliding t-bar | M12 | 20 | 10 | 8 | 50 | 35 | 100 | 40 | 10 |
| 06150-212X60 | sliding t-bar | M12 | 20 | 10 | 8 | 60 | 35 | 100 | 50 | 10 |
| 06150-216X55 | sliding t-bar | M16 | 24 | 13 | 12 | 55 | 40 | 120 | 45 | 12 |
| 06150-216X70 | sliding t-bar | M16 | 24 | 13 | 12 | 70 | 40 | 120 | 60 | 12 |
| 06150-216X90 | sliding t-bar | M16 | 24 | 13 | 12 | 90 | 40 | 120 | 80 | 12 |
| 06150-220X55 | sliding t-bar | M20 | 30 | 16 | 15,5 | 55 | 45 | 140 | 45 | 14 |
| 06150-220X70 | sliding t-bar | M20 | 30 | 16 | 15,5 | 70 | 45 | 140 | 60 | 14 |
| 06150-220X90 | sliding t-bar | M20 | 30 | 16 | 15,5 | 90 | 45 | 140 | 80 | 14 |