



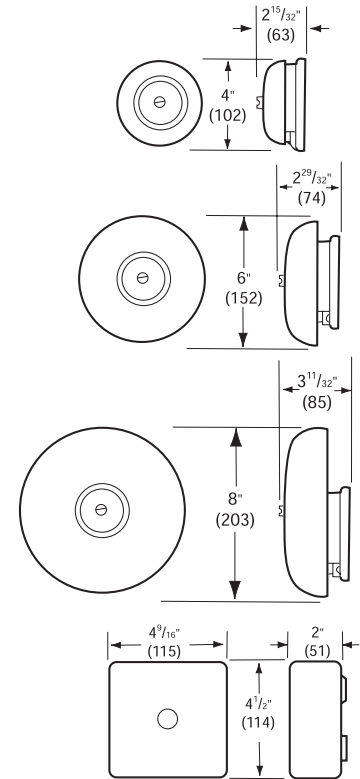
Acoustic Signals **Industrial BELLS**

Acoustic Signals Industrial Bells > Adaptabel Series

Product overview

The Adaptabel range is a high quality solenoid driven bell designed for use in commercial, industrial and transportation applications. With a choice of three gong sizes, this unit delivers a clear, loud ring which is free from

mechanical clatter. The bigger the gong, the deeper, louder and more penetrating the sound. When fitted with the optional back box, the units are weatherproof and suitable for mounting in exposed locations. Red version available in 6" 24v Dc.



Adaptabel Series > Ordering Information

Code No:	Voltage:	Size:	Db:	Current:
A4B-K-12DC	12v Dc ---	101mm/4"	99dB	125 mA
A4B-K-24AC	24v Ac ~	101mm/4"	99dB	-
A4B-K-24DC	24v Dc ---	101mm/4"	99dB	62 mA
A4B-K-115AC	115v Ac ~	101mm/4"	99dB	34 mA
A6B-K-24AC	24v Ac ~	152mm/6"	101dB	-
A6B-K-24DC	24v Dc ---	152mm/6"	101dB	125 mA
A6B-K-24DCR	24v Dc ---	152mm/6"	101dB	-
A6B-K-115AC	115v Ac ~	152mm/6"	101dB	34 mA
A6B-K-230AC	230v Ac ~	152mm/6"	101dB	22 mA
A8B-K-24DC	24v Dc ---	203mm/8"	102dB	62 mA
A8B-K-230AC	230v Ac ~	203mm/8"	102dB	22 mA
ABK-WPBB	Weatherproof backbox*		50180 Cage guard	

Note: These bells are available until stocks are exhausted.
(This information is correct as of December 2012).

Features

- Supplied with a universal mounting plate for all installation options
- Rugged die-cast construction
- Robust and reliable
- Wide range of voltages available
- Cabling entries x 3 (3/4" NPT or M20)
- Optional IP65 weatherproof back box

Material

Steel Gong

Kg 1.0/1.4/2.3

°C -35+66

IP 44/65 •

dB 99-102

CONTINUOUS

INDUSTRIAL

APPROVALS and CONFORMITIES

