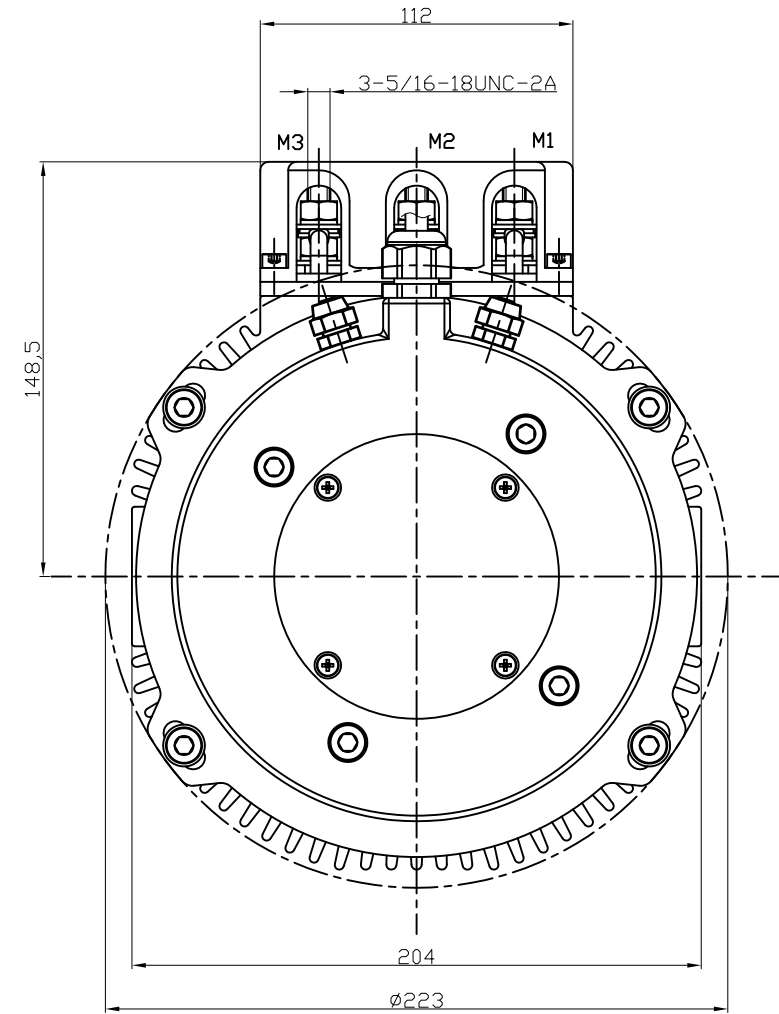
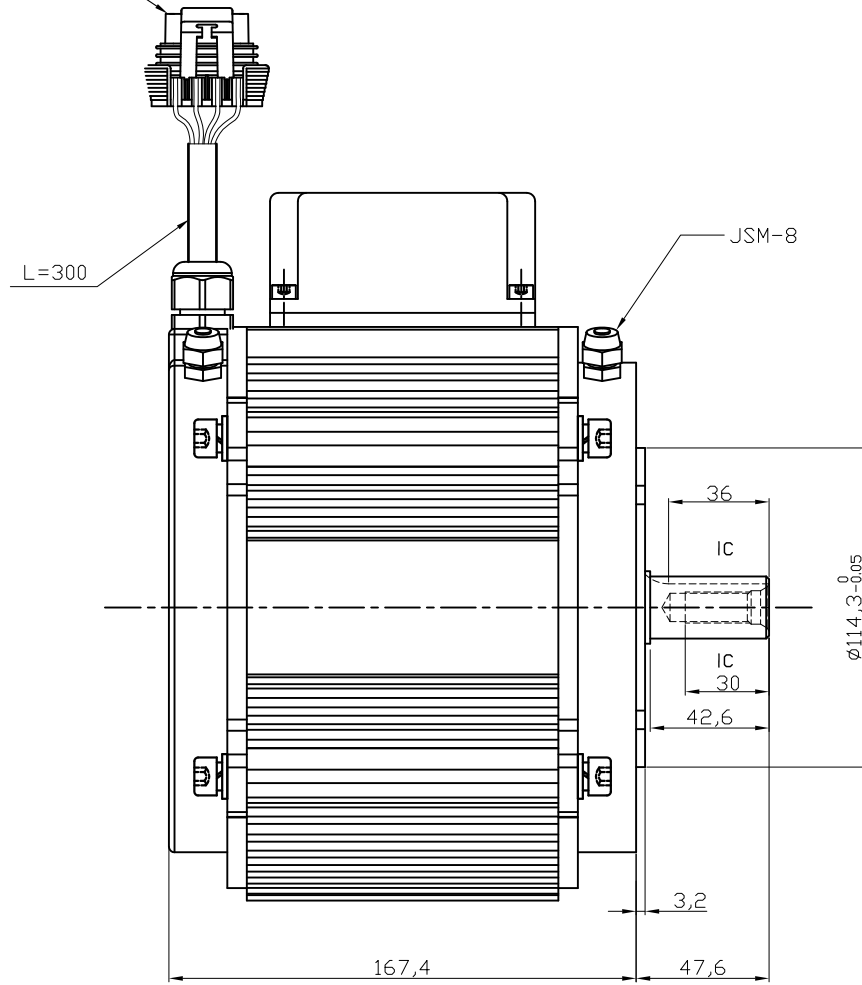
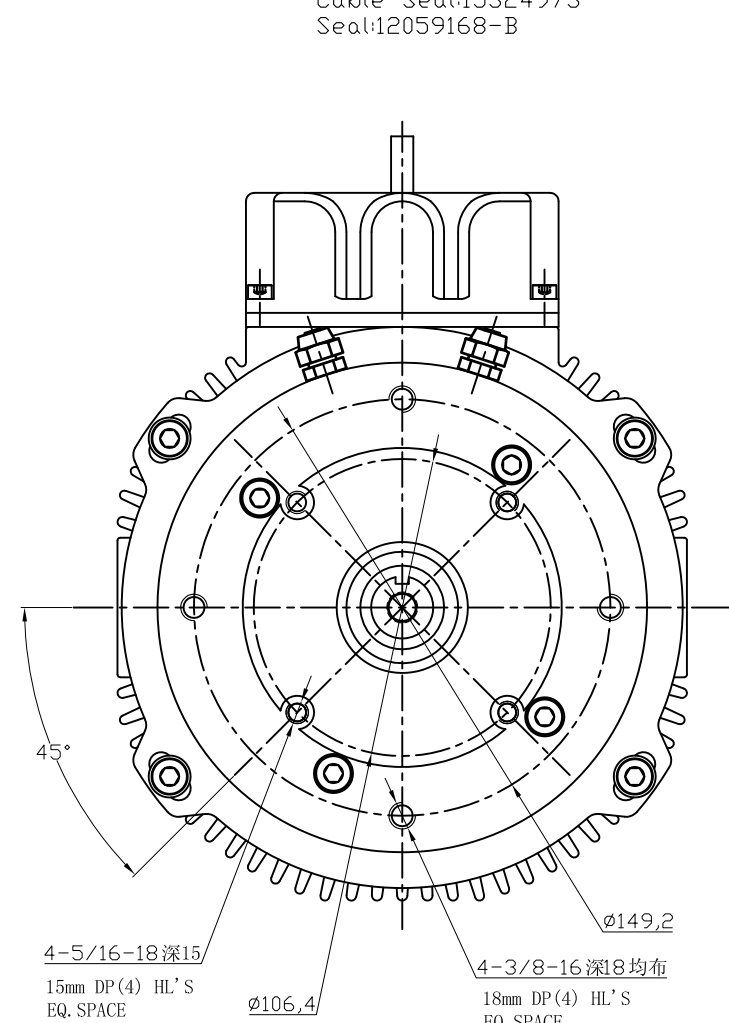


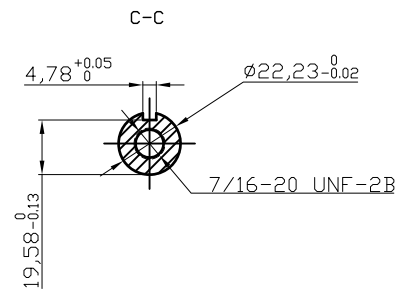
8 pin Metri-pack 150 series:
Connector:12047937
Terminal Position Assurance:15324525
Terminal:12084200
Cable Seal:15324973
Seal:12059168-B



NOTES:

- 1.CW(from shaft)
- 2.TURNS IS 20 PER PHASE
- 3.Front bearing: NTN6006 LLUC3/5K (Made in Japan)
- 4.USE RLS(www.rls.sj) ENCODER
sine/cosine encoder:RMB29AC01SS1
magnetic actuator:RMH06A3A02
- 5.Product to be shipped in plain white box, styrofoam packaging
Include Dyno Plot in box.
- 6.Box to be marked: Part Number: ME1304
Made in China
- 7.Magnets:150°C
- 8.Sensor Timing:with BEMF oscilloscope probe attached to M1 and ground probe attached to M2,the BEMF rising edge zero cross should lead the sine wave(sensor pin A to sensor pin C gnd)zero cross by 20 electrical degrees of the BEMF waveform.Alternatively If timing the sensor using a Sevcon controller,the encoder position should be within +/-3 degrees of 0.
- 9.Motor Phase Resistance is 0.0063Ω
- 10.Motor inductance at 1kHz is 0.066mH
- 11.Sensor magnet is to be 2.5mm to 3mm from the sensor mounting face. The minimum amplitude for the sensor is 2 volts AC,peak to peak.
- 12.Class H insulation system.

NAMECARD DATA
PART # ME1304
DATE CODE XXXXXX
SERIAL #:XX.XX.XXXX
Motenergy,Inc.
Slinger, WI USA



1. sine/cosine encoder

PIN LOCATION 插孔点	WIRE DESIGNATION 导线标记	WIRE COLOR 导线颜色
A	Sine(正弦)	BLUE蓝
B	Cosine(余弦)	WHITE白
C	Ground (0)	BLACK黑
D	N/C	
E	V _{DD} (+5V)	RED红
F	Shield(保护)	GREEN绿
G	Temp1	WHITE(-)白
H	Temp2	WHITE(+)白

REV.	CHANGES	BY	ECO NO.	DATE	DO NOT SCALE DRAWING THIS DRAWING IS PROPRIETARY PROPERTY OF MOTENERGY INC CORPORATION DISCLOSED IN CONFIDENCE, WHICH MAY NOT BE USED OR DISCLOSED WITHOUT PERMISSION. RETURN PROMPTLY AFTER USE.	DIMENSIONING AND TOLERANCING PER ANS Y14.5M-1994	MATERIAL	TITLE	Motenergy, Inc Slinger, WI USA	
-	-	-	-	-	-	-	-	OUTLINE	-	
-	-	-	-	-	-	-	-	DRAWN: lxp	13.03.25	DESIGN VENDOR: -
-	-	-	-	-	-	-	-	S/N:	CODE:	APPR:
-	-	-	-	-	-	-	-	MODEL NO:	DEPT:	0JWT. 302. 292
-	-	-	-	-	-	-	-	SIM TO:	SCALE: -	REV SHEET - 1 OF 1