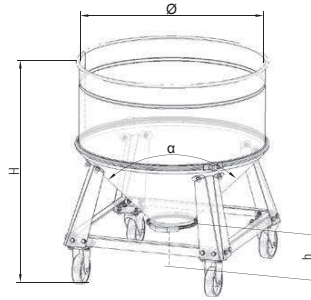


# roller container (CR.B1 / CR.B2)

## roller container CR.B1

- stainless steel
- 4 steel feet (RAL9005)
- 2 fixed rollers and 2 lockable guide rollers

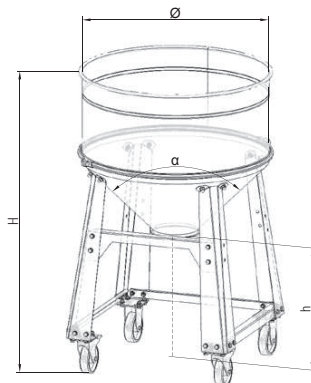
04



	volume	Ø	H	h	α
CR.B1.0120.0630.1.CR	120 l	630	750	170	90°
CR.B1.0215.0630.1.CR	215 l	630	1030	170	90°

## roller container CR.B2

- stainless steel
- 4 steel feet (RAL9005)
- 2 fixed rollers and 2 lockable guide rollers



	volume	Ø	H	h	α
CR.B2.0120.0630.1.CR	120 l	630	1035	460	90°
CR.B2.0215.0630.1.CR	215 l	630	1320	460	90°

# roller container (CR.B1 / CR.B2)

## cover

- plastics



	Ø	color
CR.Z.DECKEL.630.1	630	transparent
CR.Z.DECKEL.630.9	630	black

## foldaway cover

- stainless steel
- 2 openings for suction pipes



	Ø
CR.Z.DECKEL.630.9	630

## cover for vacuum conveyor

- stainless steel
- removable (2 handles)



	Ø	connecting dimensions*
CR.Z.DECKEL.630.KOC.1	630	Di 60; 4 x M8 (95x95)
CR.Z.DECKEL.630.MOT.1	630	Di 175; LKR 195 (8 x M6)
CR.Z.DECKEL.630.MOT.2	630	Di 240; LKR 260 (8 x M6)
CR.Z.DECKEL.630.MOT.3	630	Di 300; LKR 325 (8 x M6)
CR.Z.DECKEL.630.PIO.1	630	Di 240; LKR 280 (4 x M8)
CR.Z.DECKEL.630.PSY.1	630	Di 190; LKR 210 (8 x M6)
CR.Z.DECKEL.630.VIT.1	630	Di 200; LKR 226 (6 x M6)

\*other connection dimensions according to specifications

## grid

- stainless steel



	Ø
CR.Z.ROST.630.01.CR	630

## clip

- for material card



	Ø
CR.Z.CLIP	630

## suction box

- stainless steel
- 1-way and 2-way
- Ø 38 - 60



	Ø	length
ASK.CR.1	suction box 1-way	
ASK.CR.2	suction box 2-way	

	Ø	length
SGL.1A.038.0300.CR	38	300
SGL.1A.040.0300.CR	40	300
SGL.1A.045.0300.CR	45	300
SGL.1A.050.0300.CR	50	300
SGL.1A.060.0300.CR	60	300

## slide valve

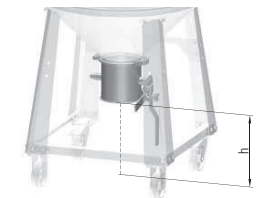
- stainless steel



	Ø	h
CR.Z.SCHIEBER.01.CR	150	430

## pipe butterfly valve

- stainless steel



	Ø	h
J.KLAPPE.DROSSEL.150.CR	150	310

05