

Technical Data Sheet

Commutator motors FEM 4070



More than just pumps



Advantages/characteristics:

- ▶ Awarded with the iF Design Award
- ▶ Low noise level
- ▶ Compact design
- ▶ Safe one-hand operation with ergonomic handle
- ▶ Low weight
- ▶ With infinitely speed adjustment
- ▶ Optimal overload protection in all speed ranges



Technical data/type	FEM 4070
Motor type	Single phase universal motor
Housing, material	Polyamide
Venting	Ventilated
Motor protection	Power and temperature monitoring
Low-voltage protection	Optional
Speed setting, stepless	Yes
Power supply cable (100 - 240 V)	H 05 RN-F 2X 0,75
Standard cable length (m) ¹⁾	5
Standard plug ²⁾	CEE 7 / 17
Weight (kg)	2,6

Certificates	
Operation category as per EN 60034-1 (VDE 0530)	S1 (continuous operation)
Protection class as per DIN EN 60 529	IP 24
Operating range	
Operating temperature (°C)	-20 to +40

1) Other cable lengths available on request 2) Other plugs available on request

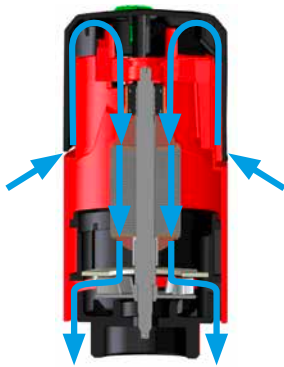
Nominal data for FEM 4070, output 500 Watt						
Nominal voltage (V) ¹⁾	240	230		120	110	100
Nominal frequency (Hz)	50	50	50 - 60	60	50	50 60
Nominal output (W)	500					450
Nominal speed (R/min)	10 000	8 500			8 000	
Nominal current (A)	2,5	2,6	2,6	5,2	5,3	5,8
Protection class	II	II	II	II	II	II

1) The 230 V version can also be operated with 60 Hz.
The speed is reduced by approx. 10 - 15 % (with the same input power). Power consumption increases by 4 - 5 %.

Technical Data Sheet

Commutator motors FEM 4070

Design:

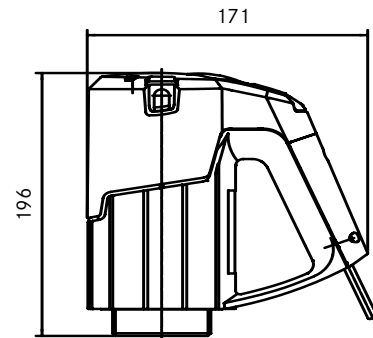


FEM 4070 ventilated.

The cooling air flows through the chamber of the interior of the motor.

The arrows show the direction of the cooling air through the chambers of the double housing.

Dimensions [mm]:



Part numbers:

Voltage (Volt)	Frequency (Hz)	Output (Watt)	Cable length (m)	Plug CEE 7/7	Part no.		
					Low-voltage protection		
Motor FEM 4070, with speed setting					with	without	
240	50	500	5	CEE 7/17	10-407 01 008	10-407 01 009	
			5	-	10-407 01 010	10-407 01 011	
230	50		5	CEE 7/17	10-407 01 000	10-407 01 001	
			5	-	10-407 01 004	10-407 01 005	
120	50-60		5	CEE 7/17	10-407 01 023	10-407 01 025	
	60		5	NEMA 1-15P	10-407 01 012 ¹⁾	10-407 01 013 ¹⁾	
110			50	5	NEMA 1-15P	10-407 01 014	10-407 01 015
	5			CEE 7/17	10-407 01 016	10-407 01 017	
100	50-60		450	5	-	10-407 01 018	10-407 01 019
				5	JIS C8303	10-407 01 020 ²⁾	10-407 01 021 ²⁾

1) Version for the USA in protection class COF ENC 2 2) Version for Japan