

# Pinch Valve 7078

1/2" up to 2"

## New generation of pinch valves with revised inner tube for demanding applications or food fluids.

- Compact design with rotatable actuator
- Unaffected by contaminated, granulated, viscous, doughy and aggressive media
- Usable for sanitary and aseptic applications because of hygienic sealing
- All components in contact with the fluid made of 1.4435
- Operating pressure up to 87 psi



### Technical data

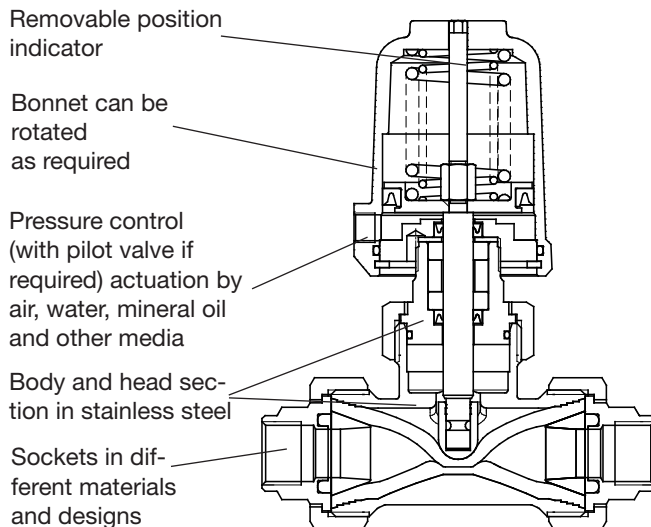
Nominal Sizes	1/2" up to 2"
Connections	Pipe threads nach ISO 228-1 G 1/2" up to G 2", NPT-treats Inner sticking socket PVC Welding ends acc. to DIN or ISO Tri-Clamp-connector (inch)
Body material	Stainless steel CF8M, no contact with the fluid
Material in contact with the fluid	Sainless steel 316L (except cement socket PVC)
Operating pressure	0 - 87 psi
Media	Liquids, gases, suspensions, granulate or limestone
Fluid Temperature	Tube material NBR (FDA): 14°F up to 176°F (short-duration, steam +266°F*)
	Tube material FKM: 14°F up to 266°F
	Tube material EPDM (FDA): 14°F up to 203°F (short-duration, steam +266°F*)
	Tube material Silikon: -40°F up to +320°F
	Tube material SBR: -22°F up to +176°F
Ambient temperature	5°F up to 140°F

\*short-duration rise of temperature only when the valve is fully open

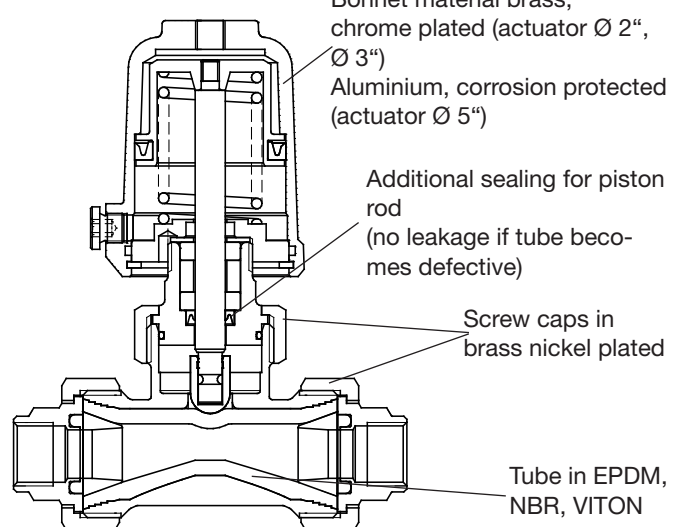
### Options

- e.g.:
- digital position indicator Typ 2040
  - limit switches
    - induktive proximitiv switch
    - elektrical switches
    - pneumatic switches
  - pilot valves
  - additional manual override
  - silicon free version

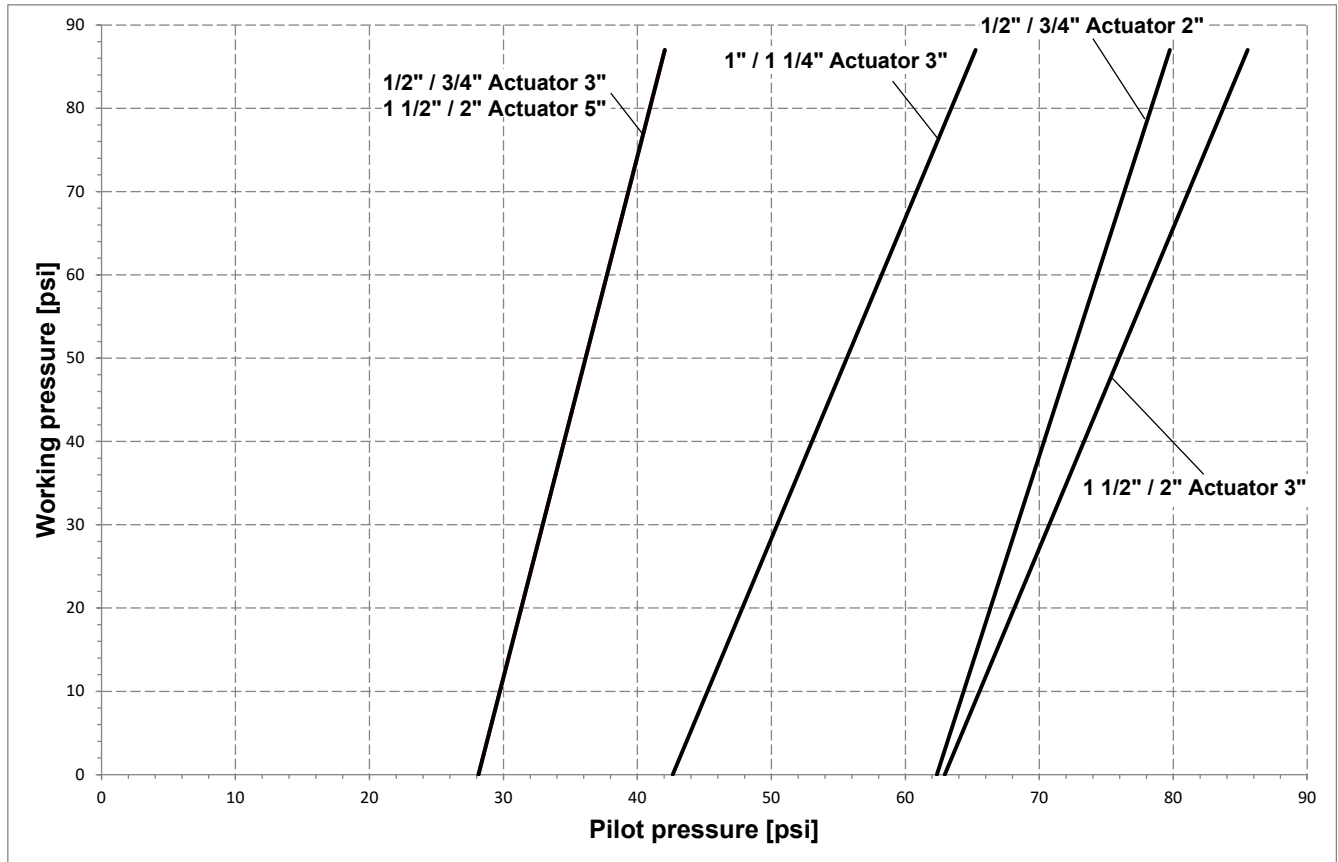
### Normally closed



### Normally open



## Pinch valve normally open



For maximum tube life, use pilot pressure slightly above minimum indicated for the working pressure.

## Pinch valve normally closed

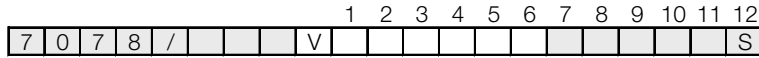
Size	Tube material	Max. working pressure (psi)	Pilot pressure (psi)	Actuator size inch	Springs
1/2" / 3/4"	EPDM	43	64 - 145	2"	2
	NBR				
	FKM				
	Silicone				
	SBR				
	EPDM	87	81 - 145	2"	3
	NBR				
	FKM				
	SBR				
	EPDM	87	51 - 145	3"	1
	NBR				
	FKM				
Silicone					
SBR					
1" / 1 1/4"	EPDM	58	51 - 145	3"	1
	NBR				
	FKM	87			
	Silicone				
	SBR	43	64 - 145	3"	2
	EPDM				
	NBR				
	FKM				
	Silicone				
	SBR				

Size	Tube material	Max. working pressure (psi)	Pilot pressure (psi)	Actuator size inch	Springs
1 1/2" / 2"	NBR	29	64 - 145	3"	2
	FKM				
	Silicone				
	NBR	43	81 - 145	3"	3
	FKM				
	Silicone				
	EPDM	29	32 - 145	5"	2
	NBR				
	FKM				
	Silicone	87	45 - 145	5"	3
	EPDM				
	NBR				
	FKM				
	Silicone	87	45 - 145	5"	3
SBR					
SBR	43				

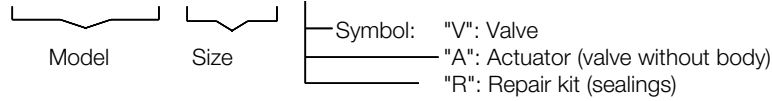
=Standard

minimum working pressure 8 psi

## Ordering Number System



1 - 6 : Please quote all 6 sections.  
7 - 12: Quote only if required.



1. Design	2. Connection	3. Connecting parts	4. Tube material	5. Pilot function	6. Actuator
8 Pinch valve	0 Pipe thread acc. DIN 2999 / ISO 3 Inner sticking socket 5 NPT-thread with welding ends acc. DIN D with welding ends acc. ISO I with welding ends acc. ISO Z Tri-Clamp connection (inch)	- no specifications 2 Stainless steel 6 PVC	1 FKM (Viton) 2 EPDM 3 NBR 4 SBR 5 Silicone	- without 0 Spring closes 1 Spring opens 3 Double acting	0 Piston Ø2" 1 Piston Ø3" 2 Piston Ø5" 5 Manually actuated

7. Springs	8.	9.	10. Temperatur version	11. Accessories	12. Special versions
- Standard	- without significance	- without significance	- standard V Viton outer lip sealing (for higher ambient temperatures)	- No accessories 1 Electrical position indicator with one switch 2 Electrical position indicator with two switches 3 Manual emergency operation 4 Additional manual operation 5 Stroke limitation 6 Pilot valve 0,1", 230 V AC 7 Pilot valve 0,1", 24 V DC K Electr. position indicator compact M Position indicator with two ind. switch 10 - 36 V DC (PNP) P Position indicator with one ind. switch 10 - 36 V DC (PNP) T Position indicator compact, inductive 10 - 30 V DC (PNP)	B Digital position indicator 2040, bluetooth C Digital position indicator 2040 M Position indicator with cable bushing N Position indicator with plug connection S Special versions

Ordering example: 7078/025V836201- - - -3  
Pinch valve, size 1/4", inner sticking socket, PVC, EPDM-tube, N.C., actuator Ø 3", manual emergency override.

## Selection of tube quality

### Permissible media temperature

	EPDM	NBR	Viton	Silicon	SBR
T max °C	203	176	266	320	176
T min °C	-22	-4	14	-40	-22

### Resistance\*

	EPDM	NBR	VITON	Silicon	SBR
Wastewater	A	A	A	A	A
Ammonia (liquid)	A	B	C	C	B
Ammonia (gaseous)	A	B	C	C	B
Malic acid	B	A	A	B	B
Brake fluid	A	C	C	C	B
Benzine	C	B	A	C	B
Beer	A	A	A	A	C
Bleach liquor	A	C	A	C	C
Butter	B	A	A	B	C
Buttermilk	B	C	A	A	C
Chlorine	B	C	A	C	C
Saturated steam	A	C	B	B	C
Diesel	C	A	A	C	C
Peanut oil	C	A	A	A	C
Vinegar	A	B	B	A	C
Greases (from animals/ plants)	C	A	A	B	C
Fatty acids	C	B	A	B	C
Fish oil	B	A	A	A	C
Fruit juices	A	A	A	A	C
Milk of lime	B	B	B	C	A
Cocoa butter	C	C	A	C	C
Carbonic acid	A	A	A	B	C
Coconut oil	C	A	A	A	C
Air with solid particles	B	B	C	C	A
Corn oil	C	A	A	B	C
Margarine	C	A	A	B	C
Caustic soda	A	B	B	B	C
Nut oil	C	A	A	A	C
Rapeseed oil	A	B	A	C	C
Water with solid particles	B	B	C	C	A
Detergent	A	A	A	A	C
Citric acid	A	A	A	A	C

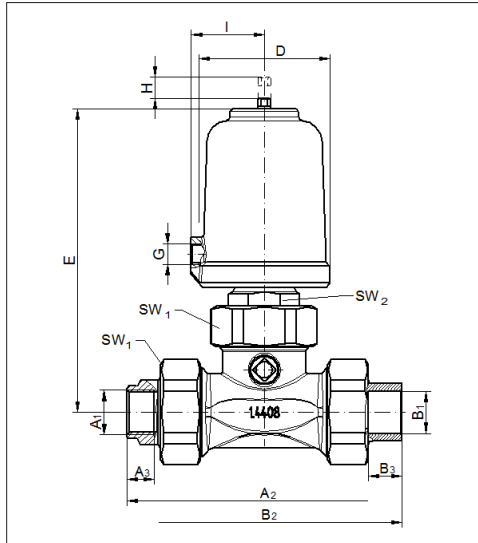
\*In the case of information on resistance, this is only a recommendation, errors and omissions excepted (no liability accepted)

A: suitable / resistant      B: conditionally suitable      C: not suitable

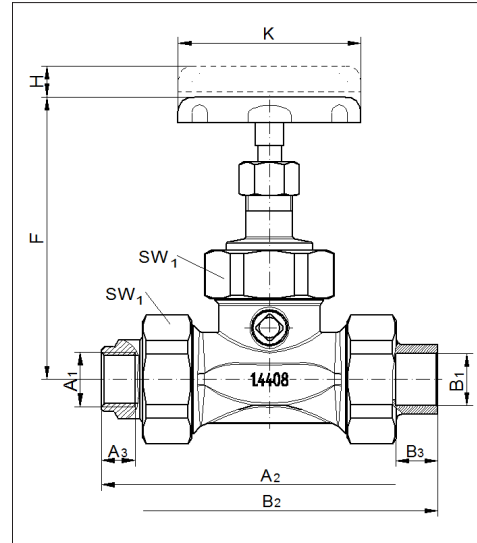
### Approvals

	EPDM	NBR	Viton	Silicon	SBR
FDA	x	x		x	
BfR	x	x		x	
EG 1935/2004/CE	x	x		x	
USP cl. VI				x	
EN ISO 3861					x

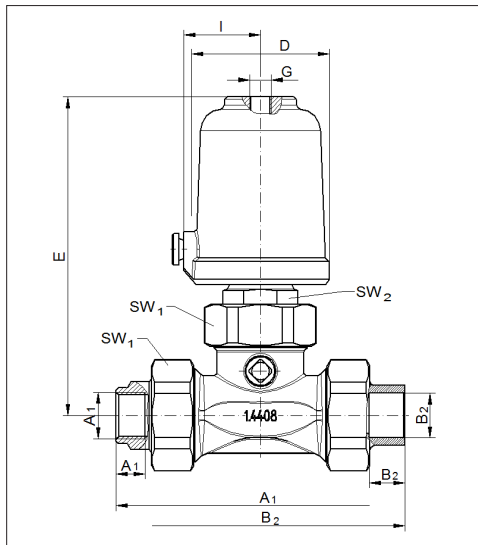
## Dimensions and weights with threaded connection or inner sticking socket



**Normally closed**



**Manually operated**



**Normally open**

Size	Piston	Whitworth pipe thread			NPT-thread			Inner sticking socket PVC			D	E	G	I	SW1	SW2	H Stroke	Cvs-Value	Weight lbs
		A1	A2	A3	A1	A2	A3	B1	B2	B3									
1/2"	2"	Rp 1/2"	5.1	0.5	NPT 1/2"	5.2	0.6	0.8	5.1	0.6	2.4	5.7	G1/8"	1.4	1.8	1.1	0.6	14	3.7
1/2"	3"	Rp 1/2"	5.1	0.5	NPT 1/2"	5.2	0.6	0.8	5.1	0.6	3.9	7.2	G1/4"	2.2	1.8	1.1	0.6		8.2
3/4"	2"	Rp 3/4"	5.2	0.5	NPT 3/4"	5.2	0.6	1	5.4	0.7	2.4	5.7	G1/8"	1.4	1.8	1.1	0.6		4.4
3/4"	3"	Rp 3/4"	5.2	0.5	NPT 3/4"	5.2	0.2	1	5.4	0.7	3.9	7.2	G1/4"	2.2	1.8	1.1	0.6		8.8
1"	3"	Rp 1"	7.2	0.7	NPT 1"	7.2	0.7	1.3	7.5	0.9	3.9	8.5	G1/4"	2.2	2.6	1.2	0.9	28	11
1 1/4"	3"	Rp 1 1/4"	7.5	0.7	NPT 1 1/4"	7.6	0.7	1.6	7.9	1	3.9	8.5	G1/4"	2.2	2.6	1.2	0.9		11.7
1 1/2"	3"	Rp 1 1/2"	9.7	0.8	NPT 1 1/2"	9.7	0.7	2	10.1	1.2	3.9	10.2	G1/4"	2.2	3.5	1.2	1.3	97	17.4
1 1/2"	5"	Rp 1 1/2"	9.7	0.8	NPT 1 1/2"	9.7	0.7	2	10.1	1.2	5.7	11.2	G1/4"	3.1	3.5	1.2	1.3		21.2
2"	3"	Rp 2"	9.7	0.9	NPT 2"	9.7	0.7	2.5	10.7	1.5	3.9	10.2	G1/4"	2.2	3.5	1.2	1.3		18.1
2"	5"	Rp 2"	9.7	0.9	NPT 2"	9.7	0.7	2.5	10.7	1.5	5.7	11.2	G1/4"	3.1	3.5	1.2	1.3		21.8

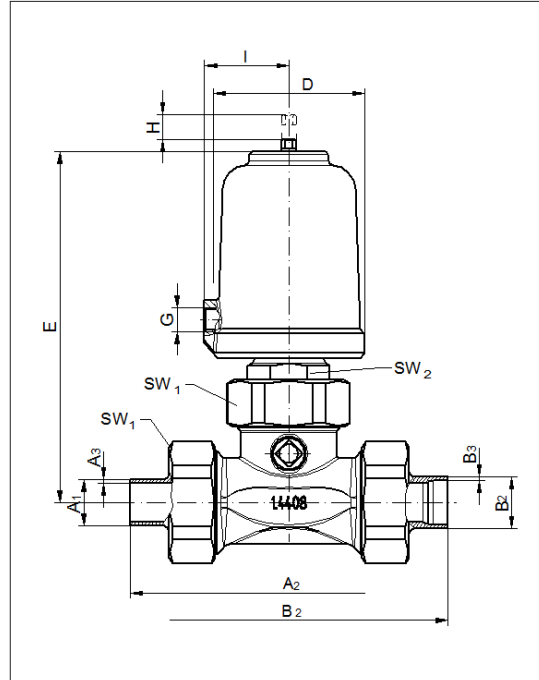
Dimensions in inch

# Pinch Valve 7078

for sanitary applications



## Dimensions and weights with welding ends



**Normally closed**

Size	Piston	Welding ends acc. to DIN			Welding ends acc. to ISO			D	E	G	I	SW1	SW2	Stroke	Cvs-value	Weight [lbs]
		A1	A2	A3	B1	B2	B3									
1/2"	2"	0.7	5.1	0.1	0.8	0.1	5.1	2.4	5.7	G1/8"	1.4	1.8	1.1	0.6	14	3.7
1/2"	3"	0.7	5.1	0.1	0.8	0.1	5.1	3.9	7.2	G1/4"	2.2	1.8	1.1	0.6		8.2
3/4"	2"	0.9	5.1	0.1	1.1	0.1	5.1	2.4	5.7	G1/8"	1.4	1.8	1.1	0.6		4.4
3/4"	3"	0.9	5.1	0.1	1.1	0.1	5.1	3.9	7.2	G1/4"	2.2	1.8	1.1	0.6	28	8.8
1"	3"	1.1	7.5	0.1	1.3	0.1	7.5	3.9	8.5	G1/4"	2.2	2.6	1.2	0.9		11
1 1/4"	3"	1.4	7.5	0.1	1.7	0.1	7.5	3.9	8.5	G1/4"	2.2	2.6	1.2	0.9	97	11.7
1 1/2"	3"	1.6	9.8	0.1	1.9	0.1	9.8	3.9	10.2	G1/4"	2.2	3.5	1.2	1.3		17.4
1 1/2"	5"	1.6	9.8	0.1	1.9	0.1	9.8	5.7	11.2	G1/4"	3.1	3.5	1.2	1.3		21.2
2"	3"	2.1	9.8	0.1	2.4	0.1	9.8	3.9	10.2	G1/4"	2.2	3.5	1.2	1.3		18.1
2"	5"	2.1	9.8	0.1	2.4	0.1	9.8	5.7	11.2	G1/4"	3.1	3.5	1.2	1.3		21.8

Dimensions in inch

Text and pictures are not binding. We reserve the right to alter the equipment.